

MIMO Antenna 9dBi Typ. Gain, 1.7-2.5GHz Frequency Range

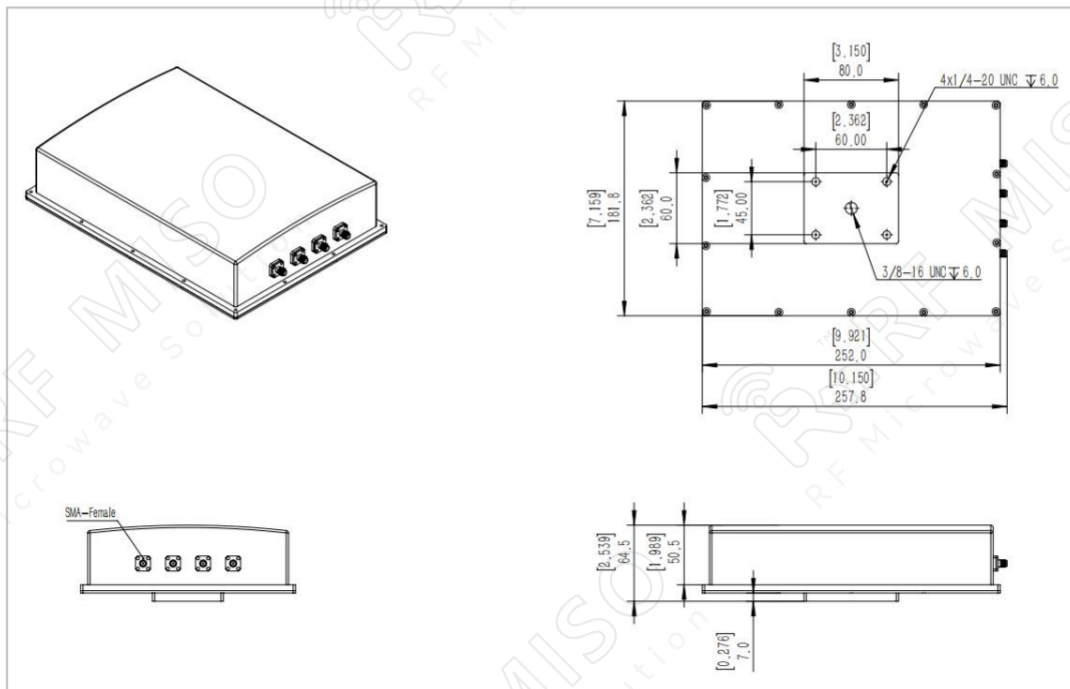
MIMO Antenna Data Sheet

RM-MPA1725-9

Specifications

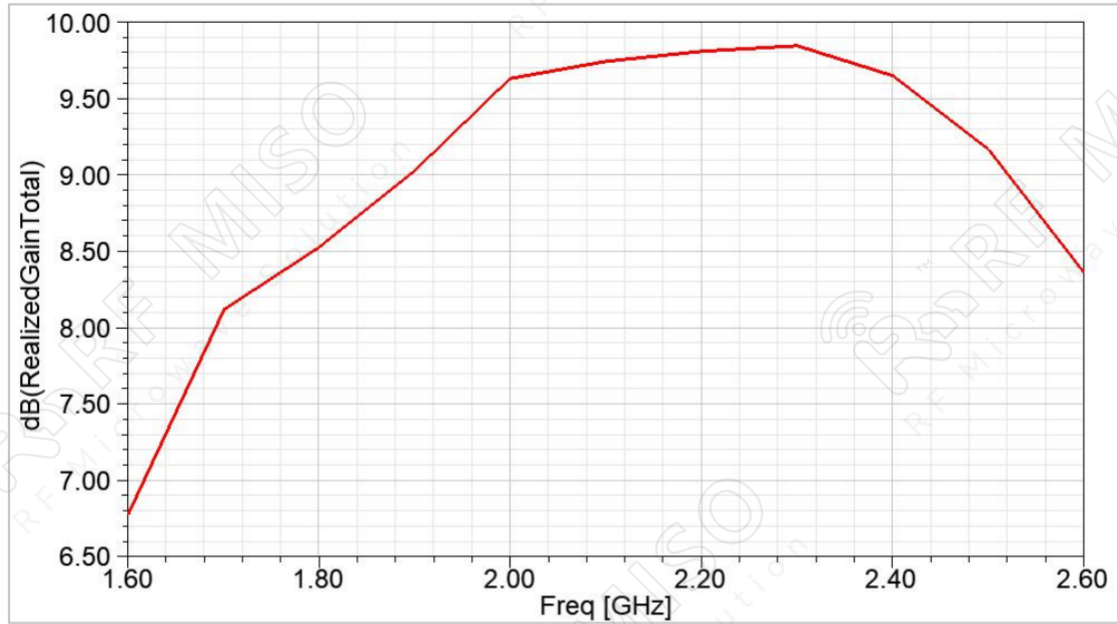
RM-MPA1725-9	
Frequency (GHz)	1.7-2.5GHz
Gain (dBic)	9 Typ.
Polarization mode	±45°
VSWR	Typ. 1.4
3dB beamwidth	Horizontal (AZ) >90°, Vertical(EL) >29°
Connector	SMA-Female
Size(L*W*H)	About 257.8*181.8*64.5mm (±5)
Weight	0.605 Kg

Outline Drawing

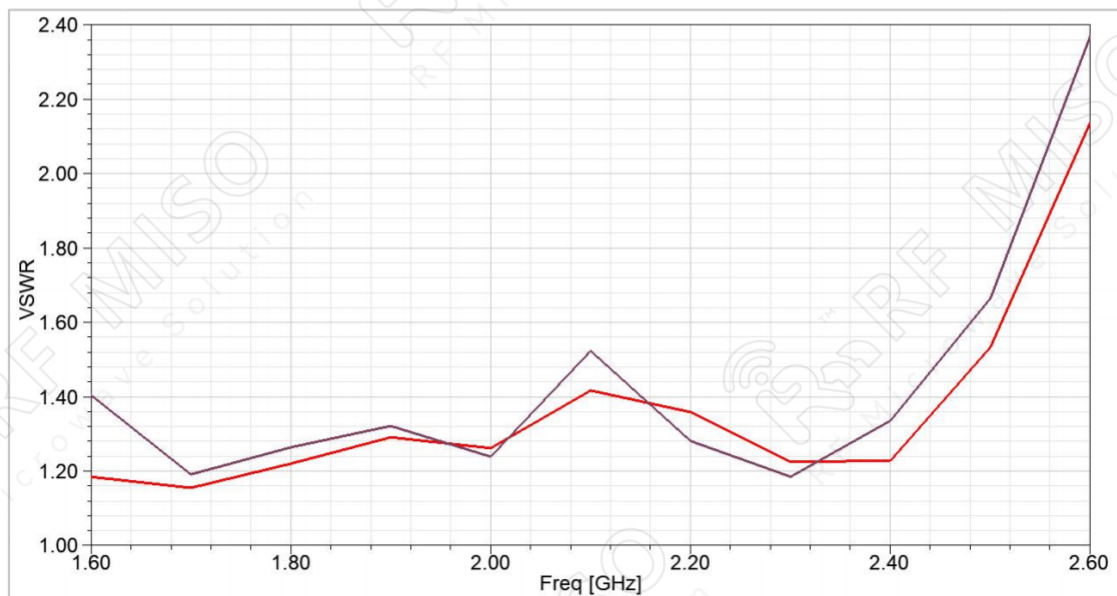


Simulation Results

Gain (Excluding feeding network and radome losses)

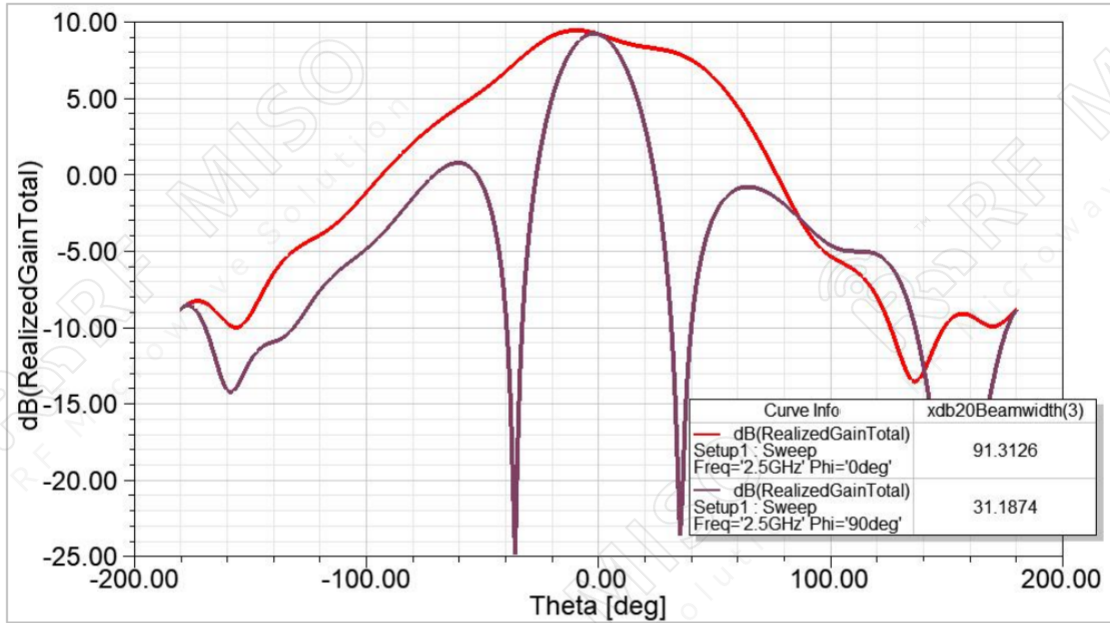


VSWR

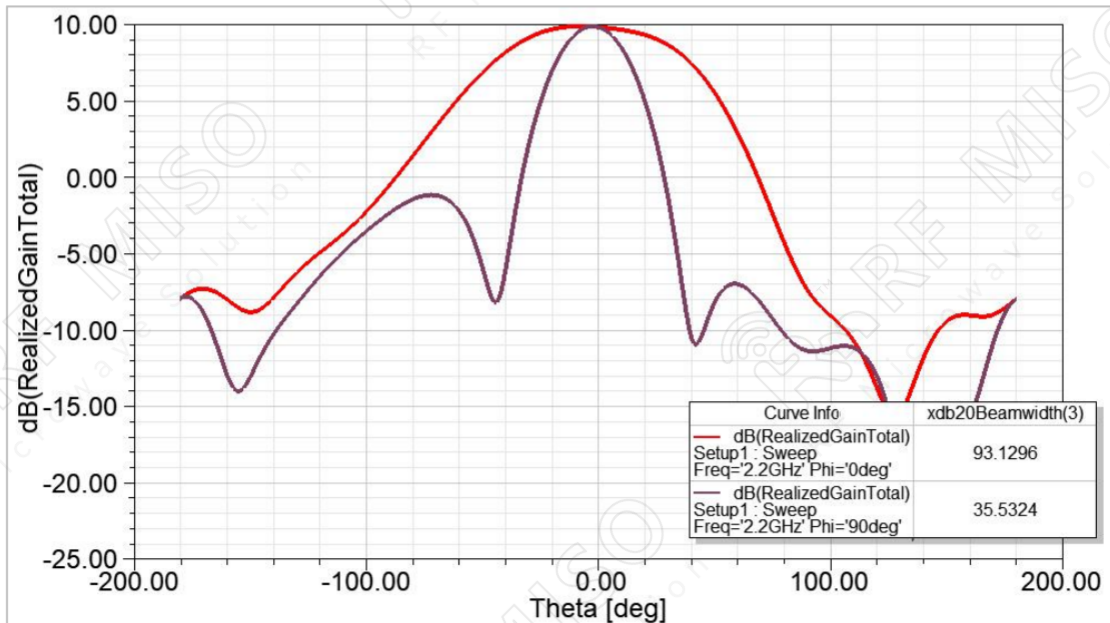


Pattern

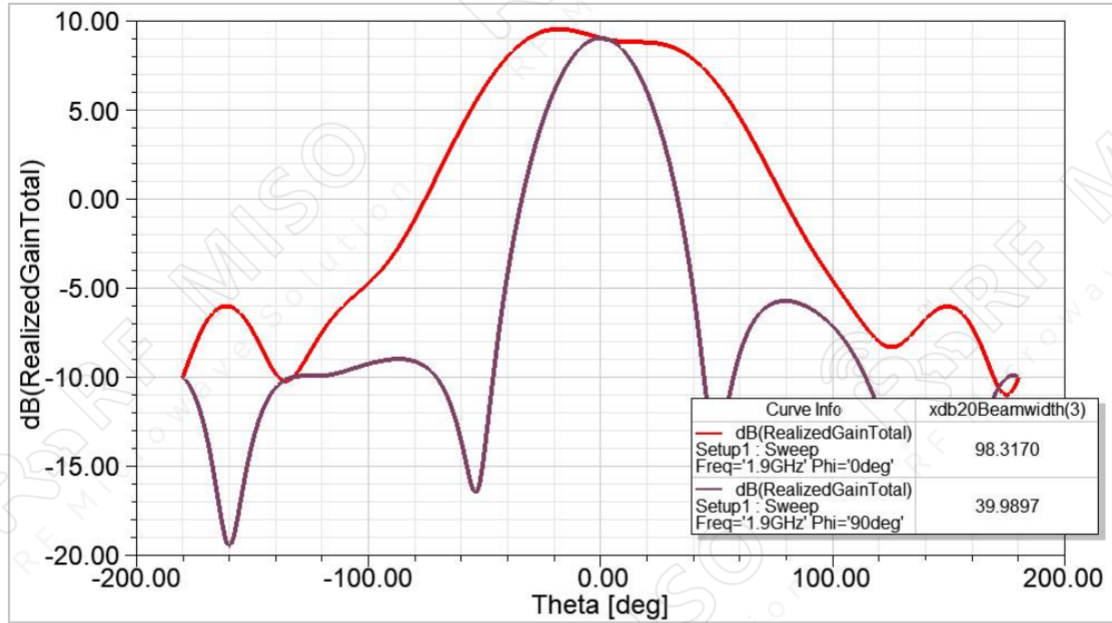
2.5GHz



2.2GHz



1.9GHz



1.7GHz

