

Standard Gain Horn Antenna  
 15dBi Typ. Gain, 3.95-5.85 GHz Frequency Range

## Standard Gain Horn Antenna Data Sheet

**RM-SGHA187-15**

### Features

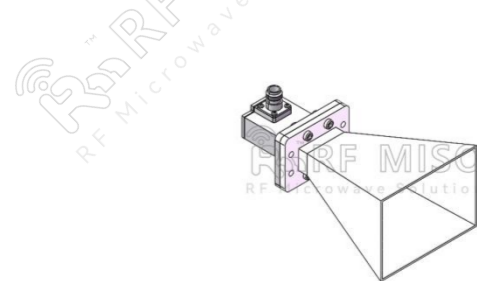
- Wave-guide and Connector Interface
- Low Side-lobe
- Linear Polarization
- High Return Loss

### Descriptions

RF MISO's **Model RM-SGHA187-15** is a linear polarized standard gain horn antenna that operates from 3.95 to 5.85 GHz. The antenna offers a typical gain of 15 dBi and low VSWR 1.3:1. The antenna has a typical 3dB beamwidth of 32 degrees on the E plane and 31 degrees on H plane. This antenna has flange input and coaxial input for customers to rotate. Antenna mounting brackets include ordinary L-type and I-type mounting bracket.

### Specifications

Parameters	Specification		Unit
Frequency Range	3.95-5.85		GHz
Wave-guide	WR187		
Gain	15 Typ.		dBi
VSWR	1.3 Typ.		
Polarization	Linear		
3 dB Beamwidth, E-Plane	32° Typ.		
3 dB Beamwidth, H-Plane	31° Typ.		
Interface	FDP48(F Type)	SMA-F(C Type)	
Material	Al		
Finishing	Paint		
Size,C Type (L*W*H)	225.4*133*96.8 (±5)		mm
Weight	0.330(F Type)	0.585(C Type)	kg
C Type Average Power	150		w
C Type Peak Power	3000		w
Operating Temperature	-40° ~+85°		° C

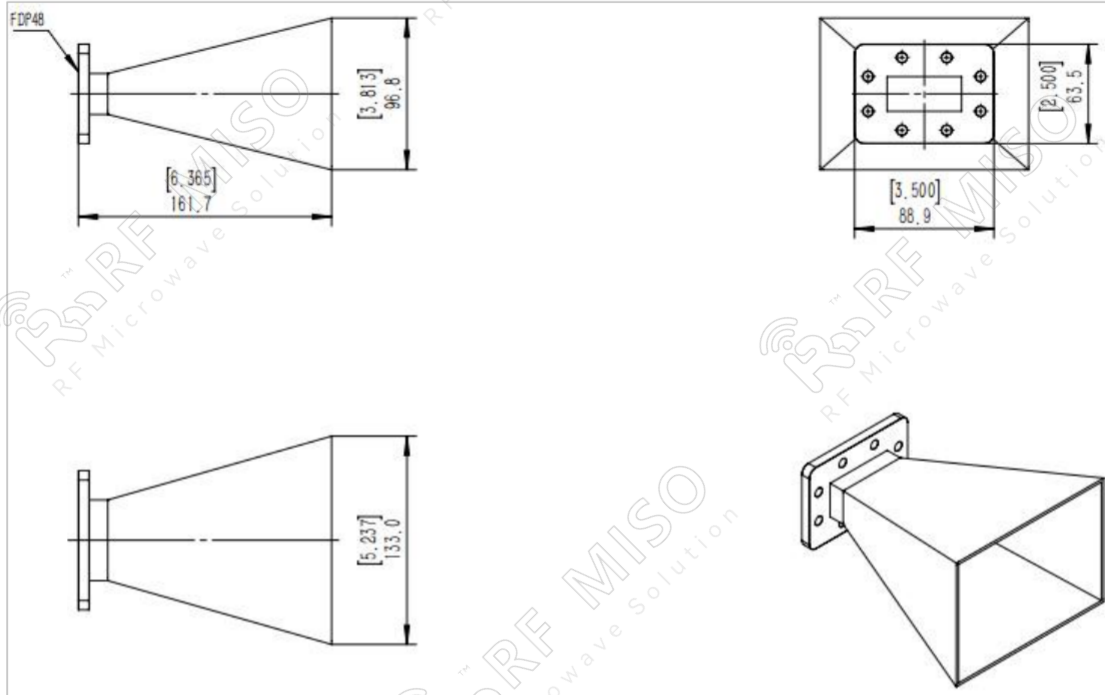


Standard Gain Horn Antenna  
15dBi Typ. Gain, 3.95-5.85 GHz Frequency Range

**Standard Gain Horn Antenna Data Sheet**

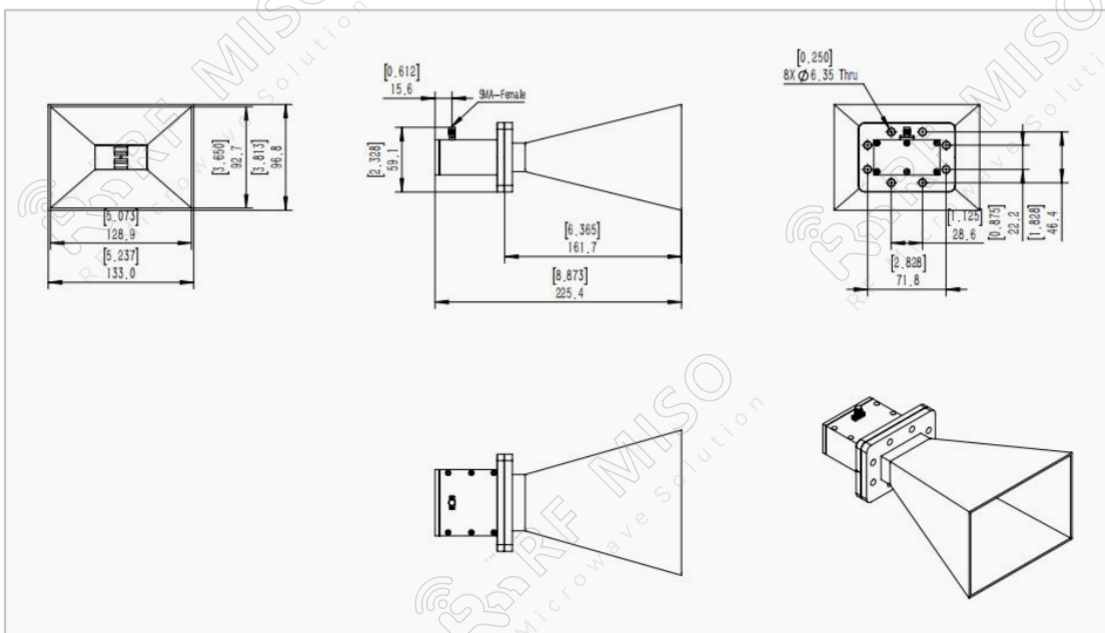
**RM-SGHA187-15**

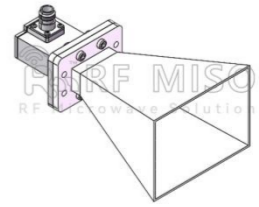
**F-Type Mechanical Drawing (P/N: RM-SGHA187-15F)**



**C-Type Mechanical Drawing (P/N: RM-SGHA187-15C)**

N connector is available, please contact RF Miso.



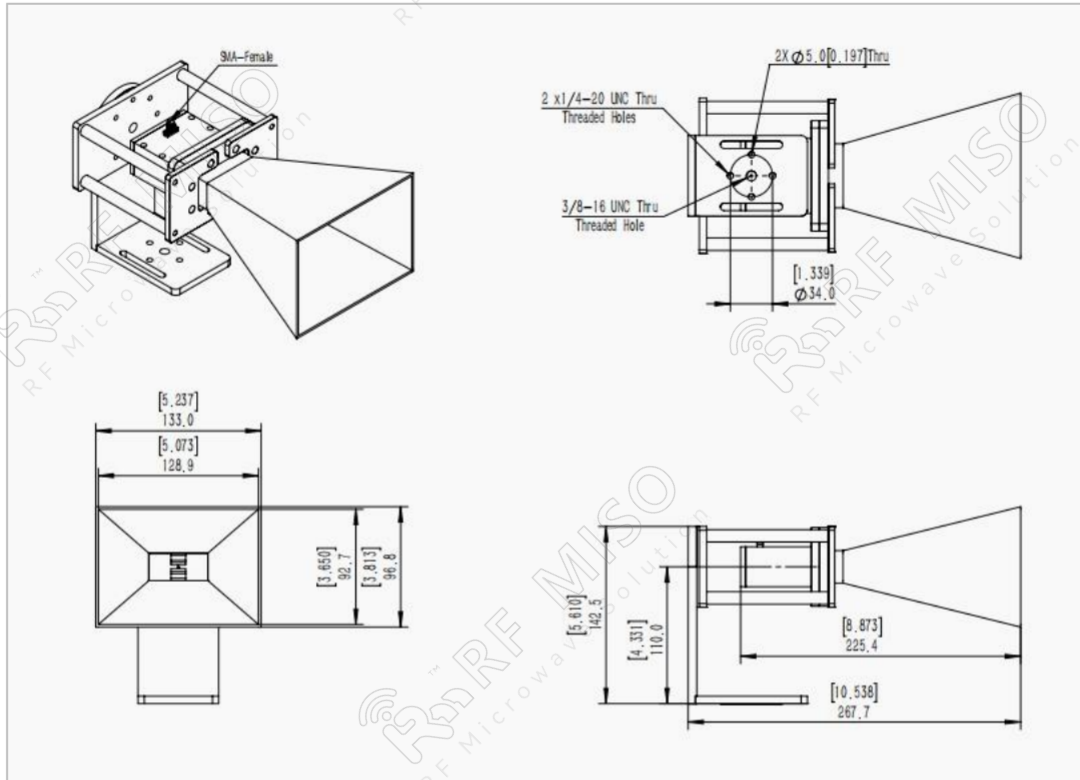


Standard Gain Horn Antenna  
15dBi Typ. Gain, 3.95-5.85 GHz Frequency Range

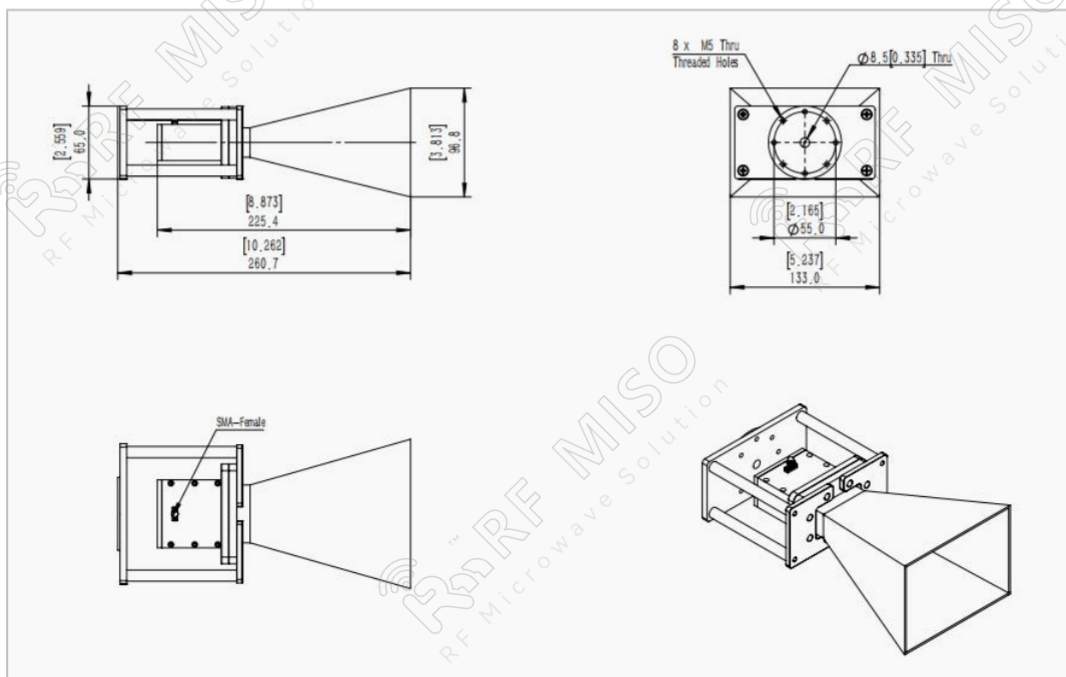
**Standard Gain Horn Antenna Data Sheet**

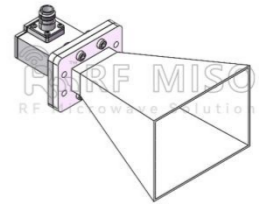
**RM-SGHA187-15**

**Mechanical Drawing with Ordinary L-type Mounting Bracket (P/N: RM-SGHA187-15CL)**



**Mechanical Drawing with Ordinary I-type Mounting Bracket (P/N: RM-SGHA187-15CI)**



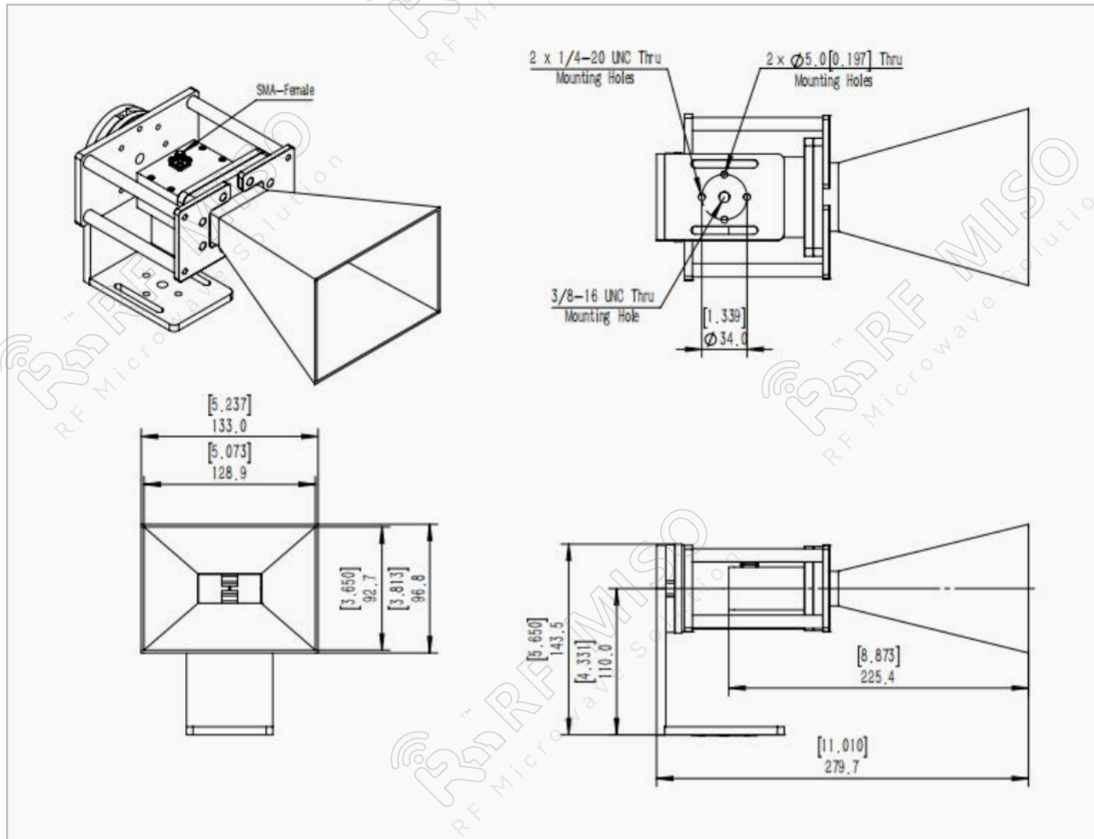


Standard Gain Horn Antenna  
15dBi Typ. Gain, 3.95-5.85 GHz Frequency Range

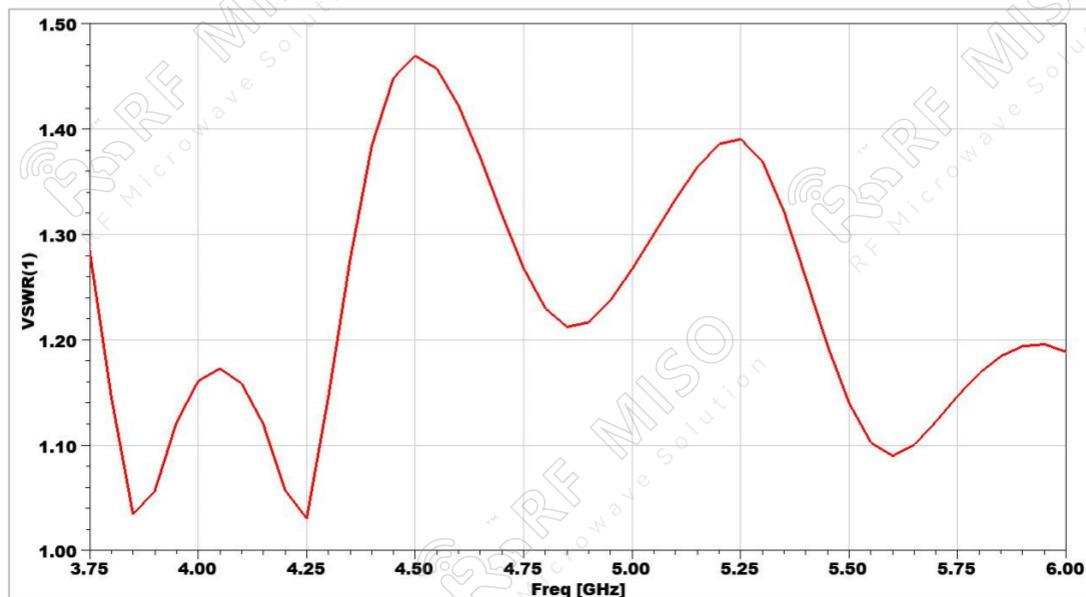
**Standard Gain Horn Antenna Data Sheet**

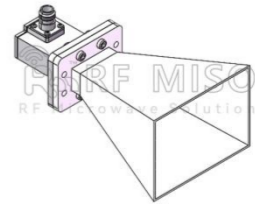
**RM-SGHA187-15**

**Mechanical Drawing with Rotating L-type Mounting Bracket (P/N: RM-SGHA187-15CR)**



**VSWR**



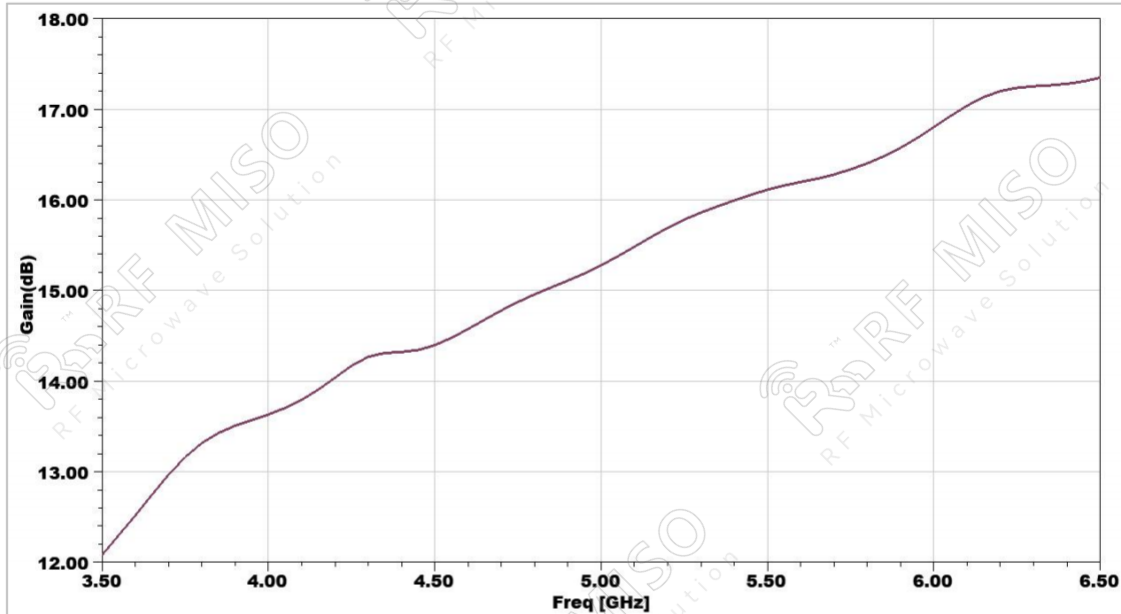


Standard Gain Horn Antenna  
15dBi Typ. Gain, 3.95-5.85 GHz Frequency Range

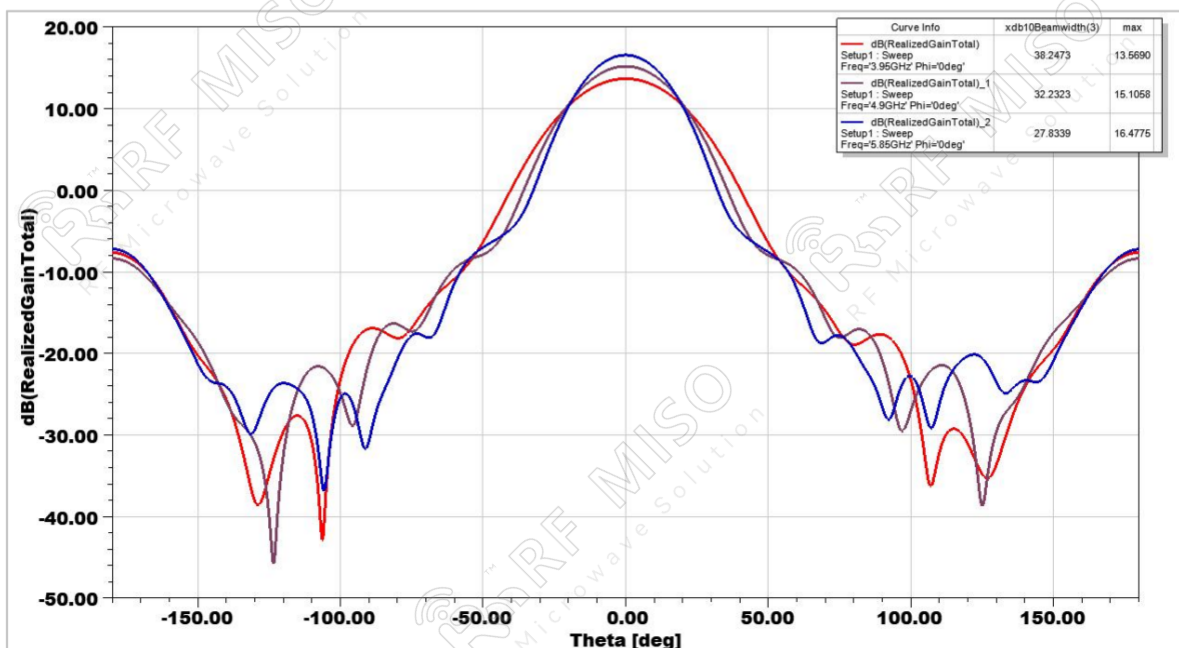
**Standard Gain Horn Antenna Data Sheet**

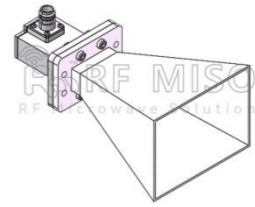
**RM-SGHA187-15**

Gain



Gain Pattern E-plane



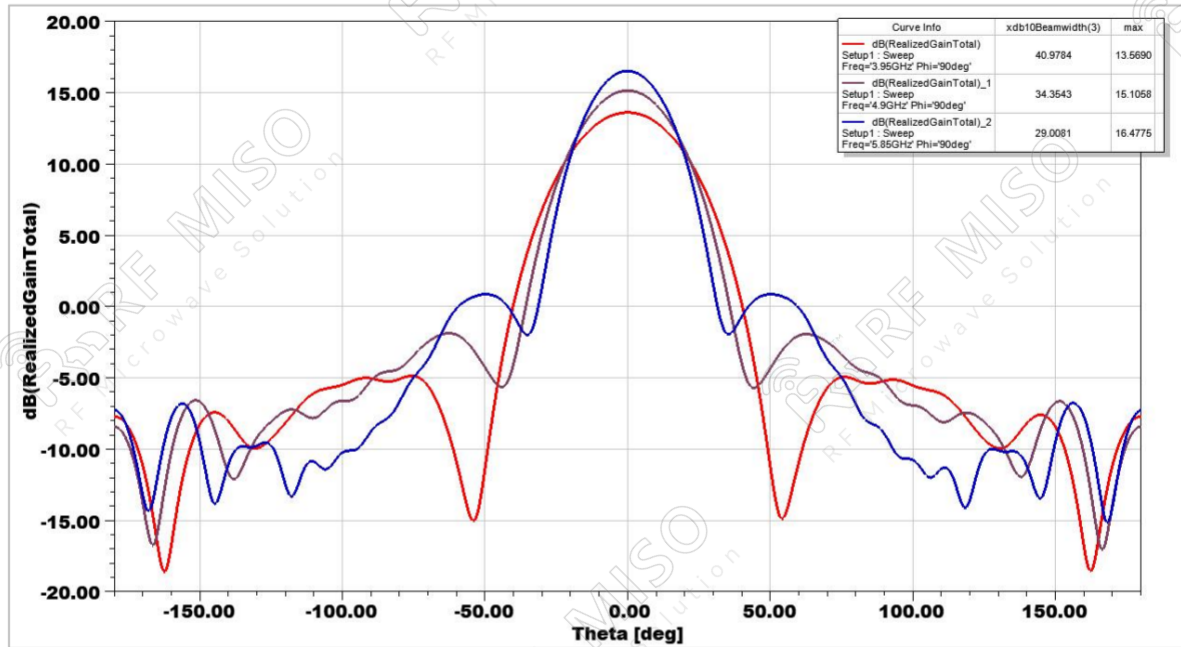


Standard Gain Horn Antenna  
15dBi Typ. Gain, 3.95-5.85 GHz Frequency Range

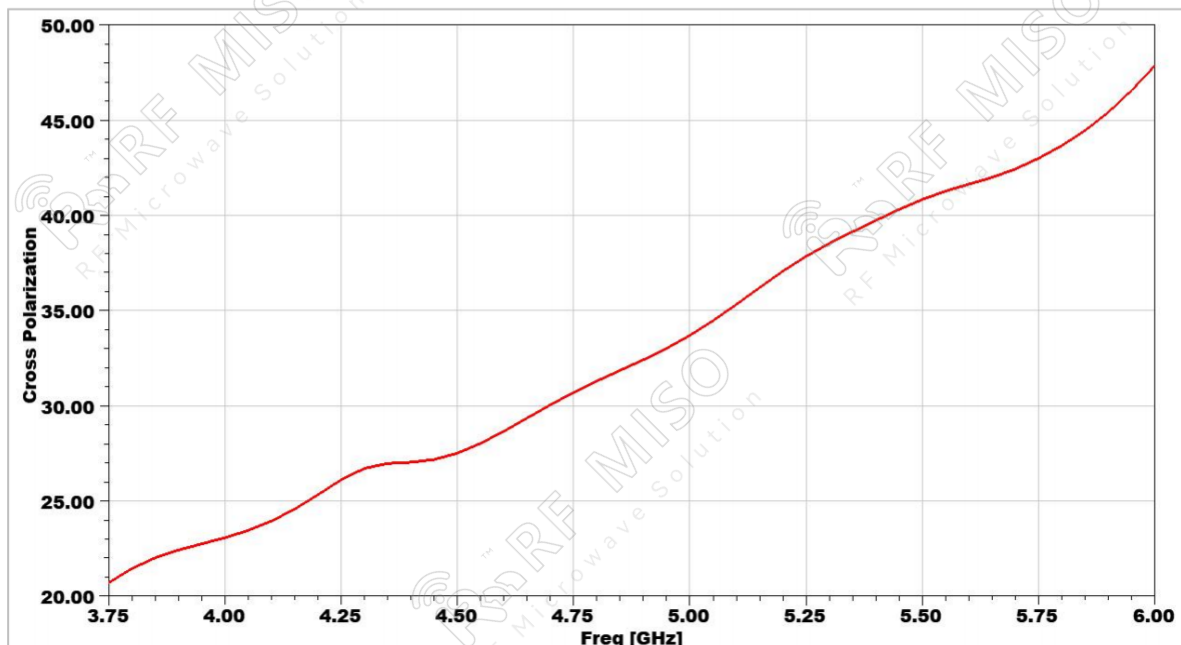
**Standard Gain Horn Antenna Data Sheet**

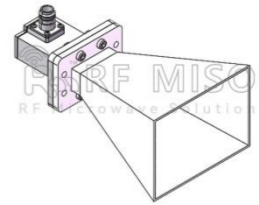
**RM-SGHA187-15**

Gain Pattern H-plane



Cross Polarization Isolation

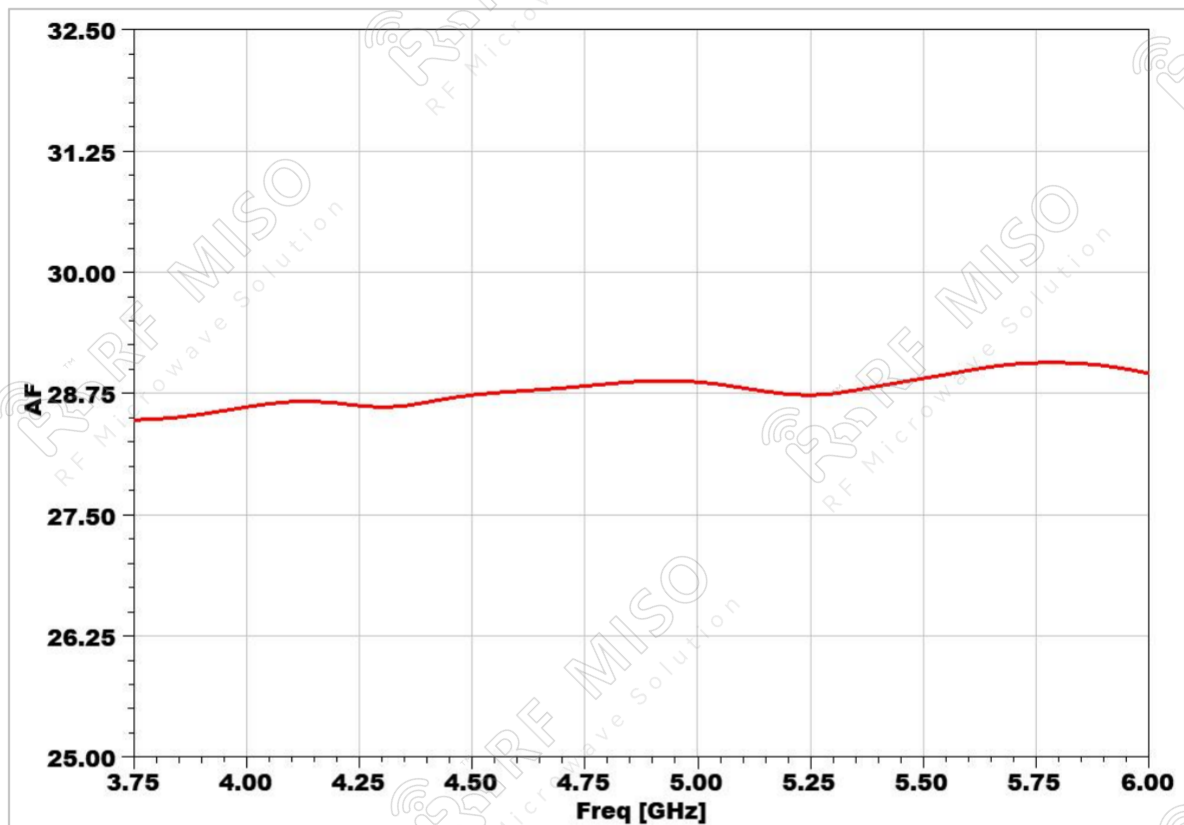




Standard Gain Horn Antenna  
15dBi Typ. Gain, 3.95-5.85 GHz Frequency Range

## Standard Gain Horn Antenna Data Sheet

**RM-SGHA187-15**



Note:

- If the data presented is simulated. Actual data may vary unit to unit, slightly.
- Any foreign objects in the wave-guide will cause performance degradation and possible device damage.
- We can customize antennas according to your specific needs.