

## Standard Gain Horn Antenna Data Sheet

**RM-SGHA187-20**

### Features

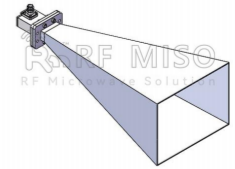
- Wave-guide and Connector Interface
- Low Side-lobe
- Linear Polarization
- High Return Loss

### Descriptions

RF MISO's **Model RM-SGHA187-20** is a linear polarized standard gain horn antenna that operates from 3.95 to 5.85 GHz. The antenna offers a typical gain of 20 dBi and low VSWR 1.3:1. The antenna has a typical 3dB beamwidth of 32 degrees on the E plane and 31 degrees on H plane. This antenna has flange input and coaxial input for customers to rotate. Antenna mounting brackets include ordinary L-type mounting bracket and rotating L-type bracket①

### Specifications

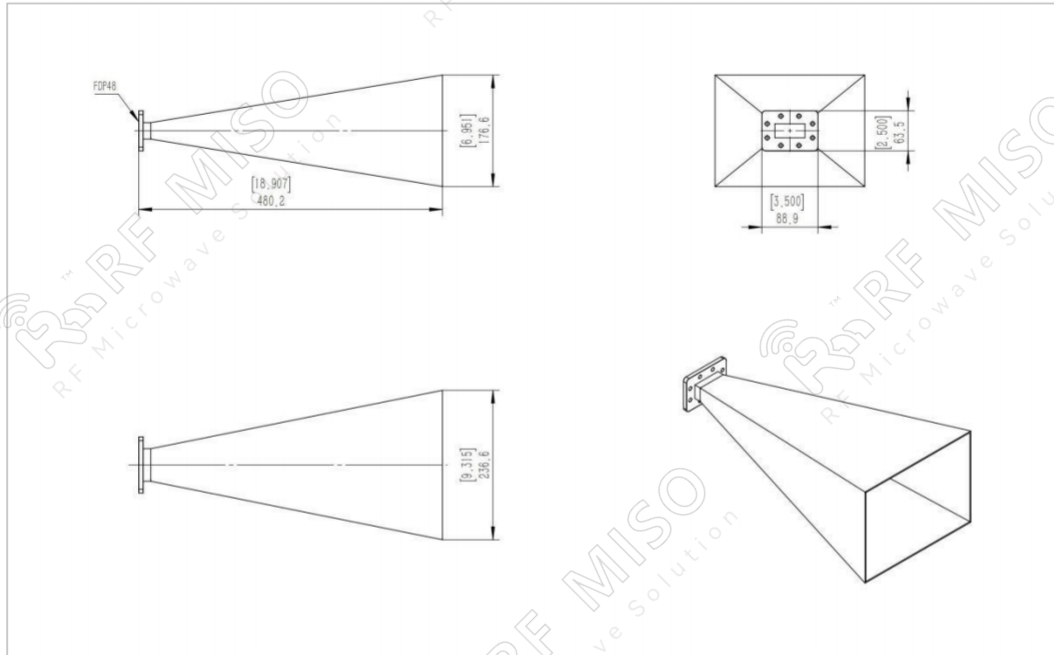
Parameters	Specification		Unit
Frequency Range	3.95-5.85		GHz
Wave-guide	WR187		
Gain	20 Typ.		dBi
VSWR	1.3 Typ.		
Polarization	Linear		
3 dB Beamwidth, E-Plane	17.3° Typ.		
3 dB Beamwidth, H-Plane	17.5° Typ.		
Interface	FDP48(F Type)	SMA-Female(C Type)	
Material	Al		
Finishing	Paint		
Size,C Type (L*W*H)	543.9*236.6*176.6 (±5)		mm
Weight	1.313(F Type)	1.568(C Type)	kg
C Type Average Power	150		w
C Type Peak Power	3000		w
Operating Temperature	-40° ~+85°		° C



## Standard Gain Horn Antenna Data Sheet

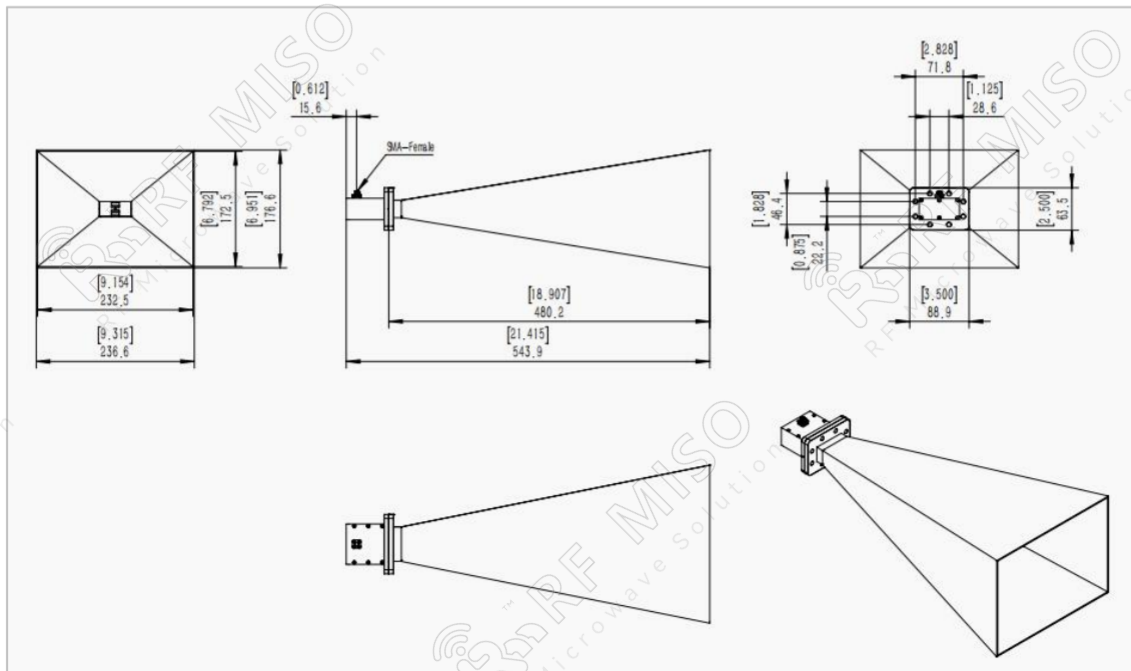
**RM-SGHA187-20**

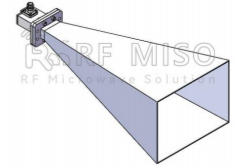
### F-Type Mechanical Drawing (P/N: RM-SGHA187-20F)



### C-Type Mechanical Drawing (P/N: RM-SGHA187-20C)

N connector is available, please contact RF Miso.

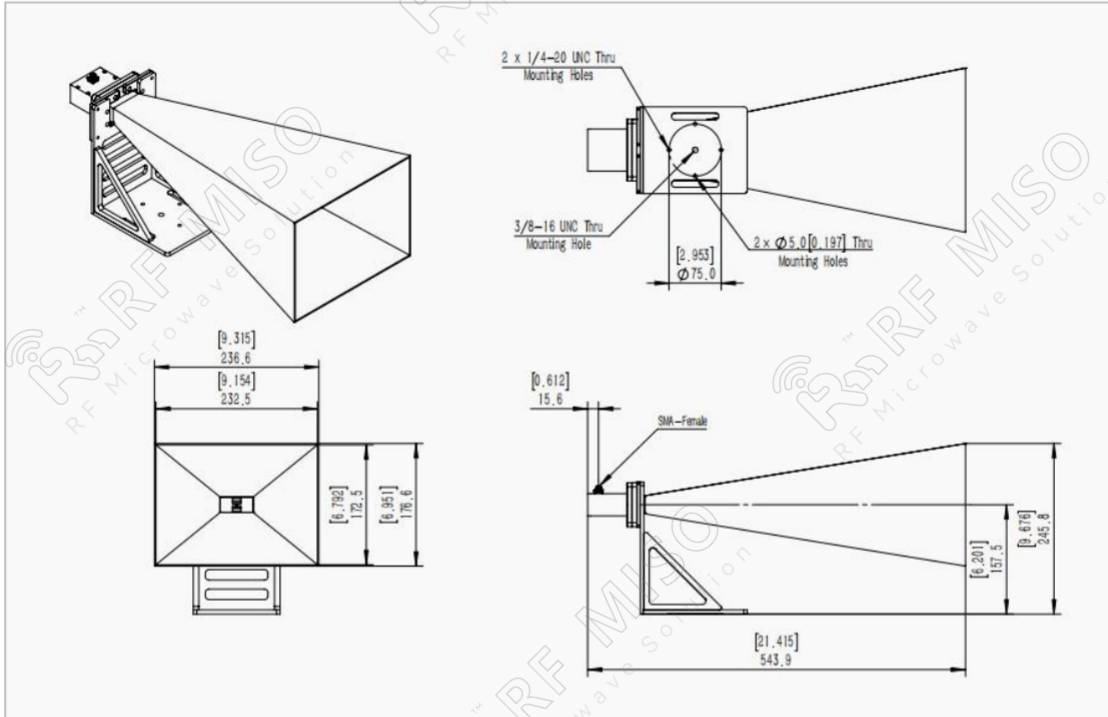




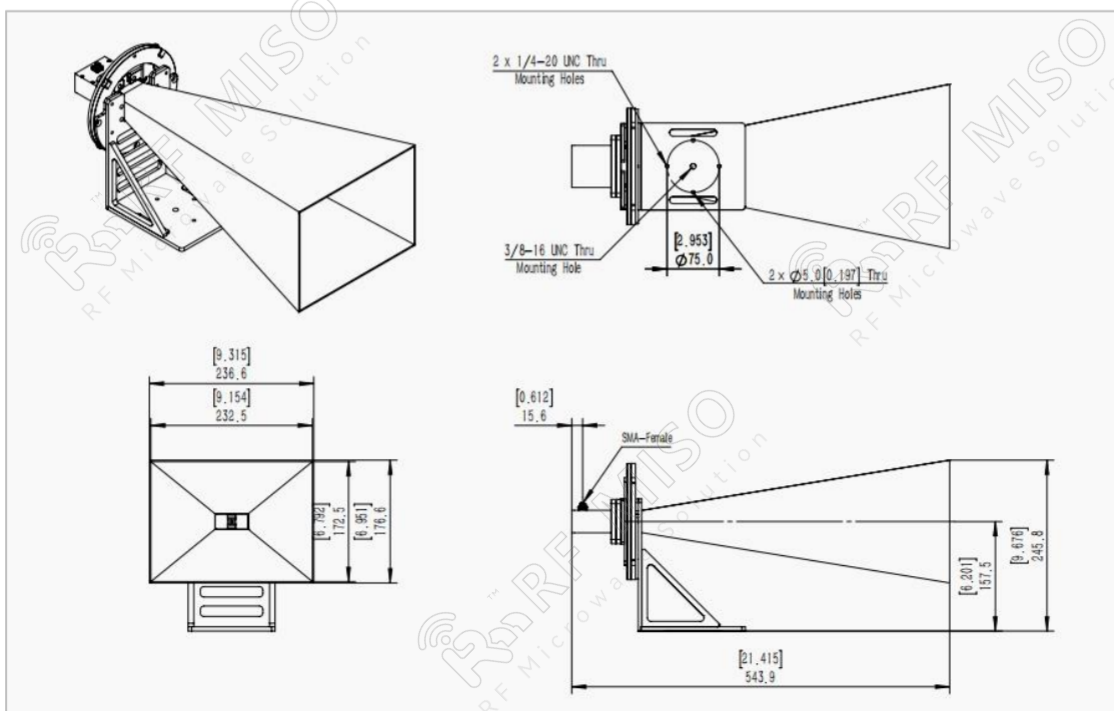
## Standard Gain Horn Antenna Data Sheet

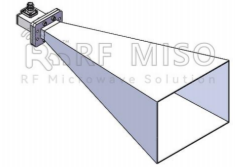
**RM-SGHA187-20**

### Mechanical Drawing with Ordinary L-type Mounting Bracket (P/N: RM-SGHA187-20CL)



### Mechanical Drawing with Rotating L-type Mounting Bracket (P/N: RM-SGHA187-20CR)

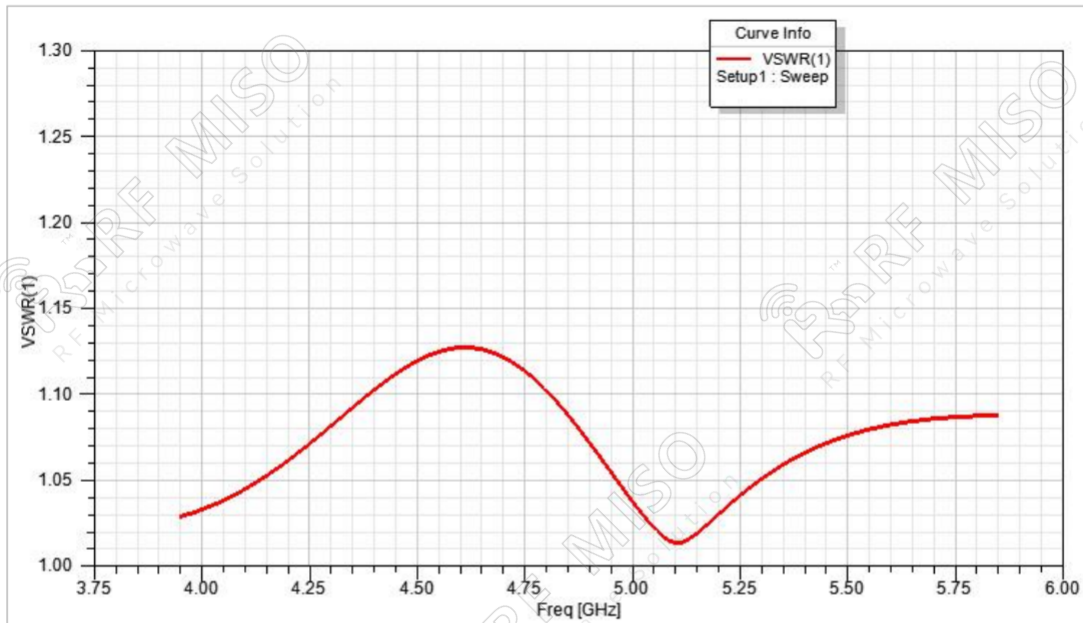




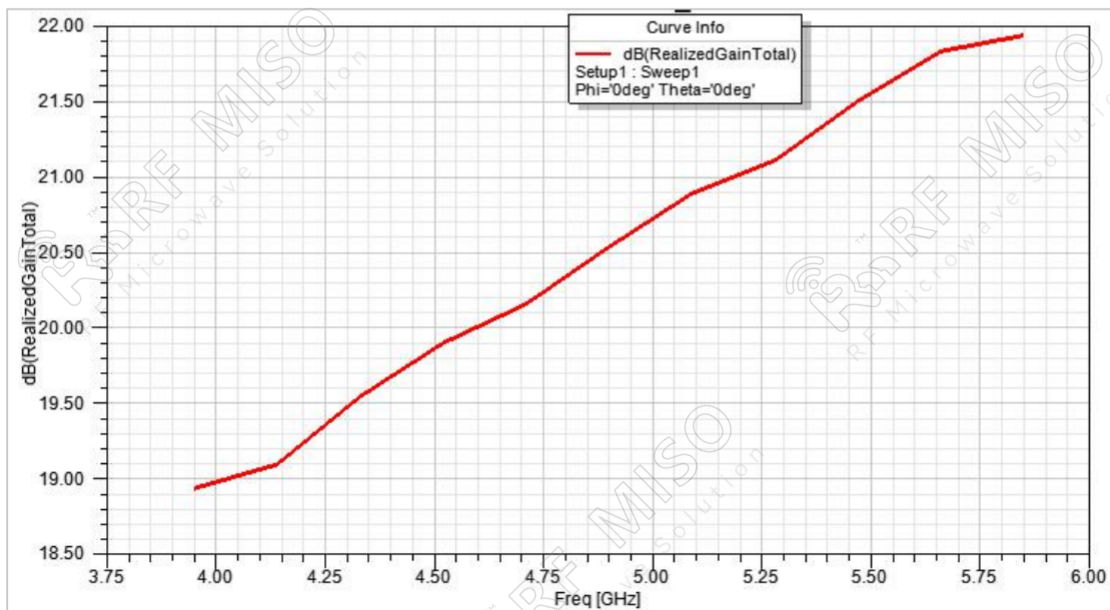
## Standard Gain Horn Antenna Data Sheet

RM-SGHA187-20

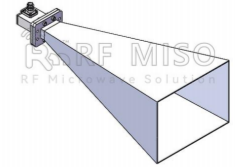
### VSWR



### Gain



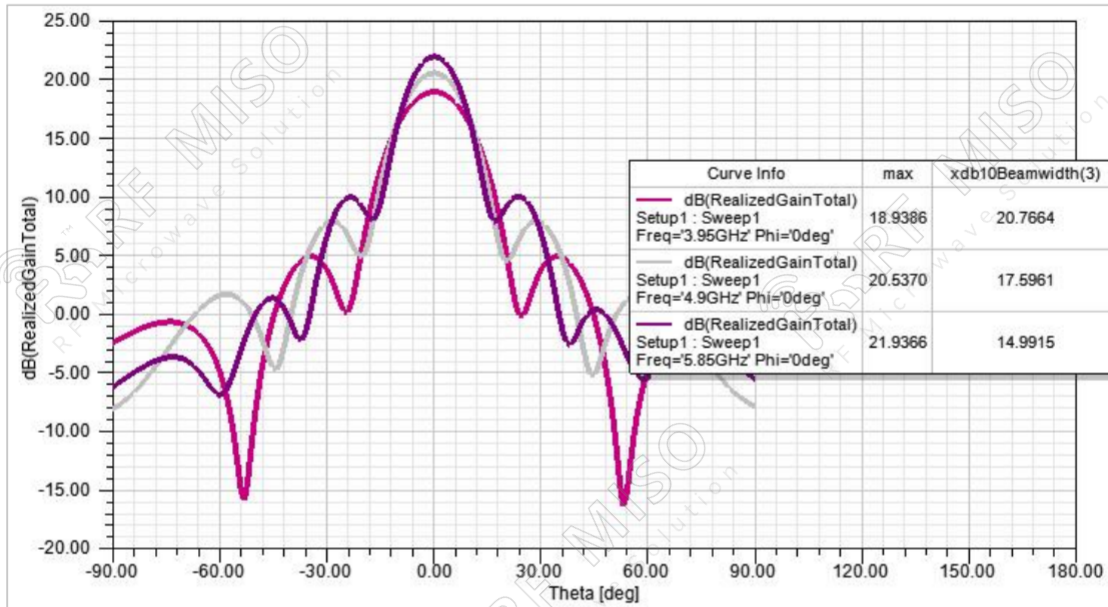




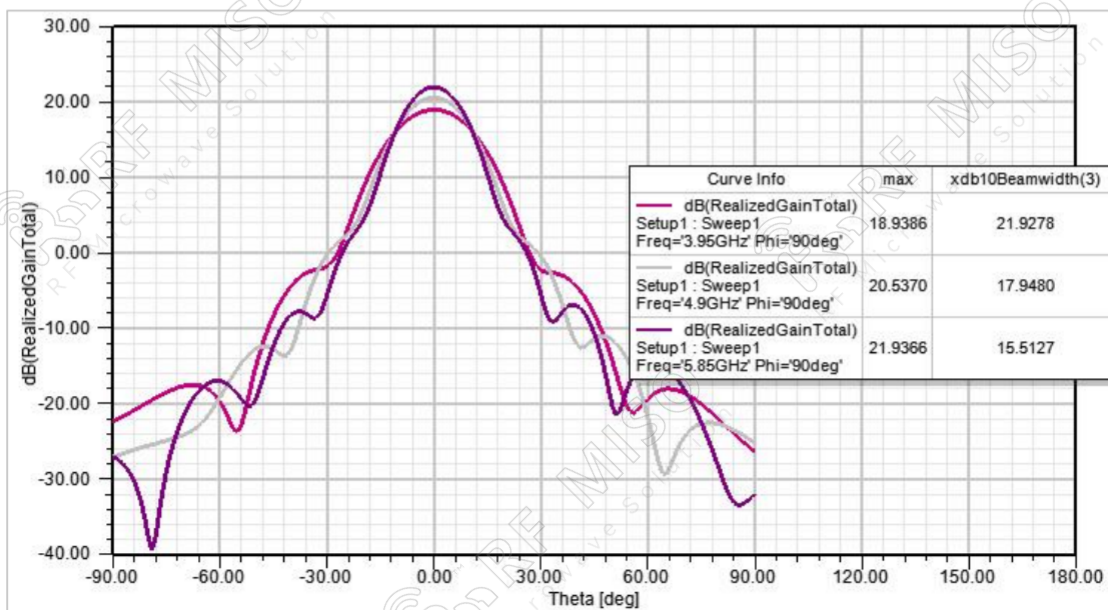
## Standard Gain Horn Antenna Data Sheet

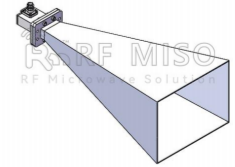
RM-SGHA187-20

### Gain Pattern E-plane



### Gain Pattern H-plane





## Standard Gain Horn Antenna Data Sheet

RM-SGHA187-20

① **Rotating L-type bracket:** The rotating bracket is used for antenna polarization adjustment, and the tooling integrated with the bracket can precisely adjust the polarization directions of  $0^\circ$ ,  $45^\circ$ , and  $90^\circ$  to ensure the accuracy and consistency of the calibration results.

Note:

- If the data presented is simulated. Actual data may vary unit to unit, slightly.
- Any foreign objects in the wave-guide will cause performance degradation and possible device damage.
- We can customize antennas according to your specific needs.