

*Standard Gain Horn Antenna
25dBi Typ. Gain, 33-50 GHz Frequency Range*

Standard Gain Horn Antenna Data Sheet

RM-SGHA22-25

Features

- Wave-guide and Connector Interface
- Low Side-lobe
- Linear Polarization
- High Return Loss

Descriptions

RF MISO's **Model RM-SGHA22-25** is a linear polarized standard gain horn antenna that operates from 33 to 50 GHz. The antenna offers a typical gain of 25 dBi and low VSWR 1.2:1. This antenna has flange input and coaxial input for customers to rotate.

Specifications

Parameters	Specification	Unit
Frequency Range	33-50	GHz
Wave-guide	WR22	
Gain	25 Typ.	dBi
VSWR	1.2 Typ.	
Polarization	Linear	
Interface	2.4-Female	
Material	Al	
Finishing	Paint	
Size (L*W*H)	198.6*69*57.8 (±5)	mm
Weight	0.145	kg

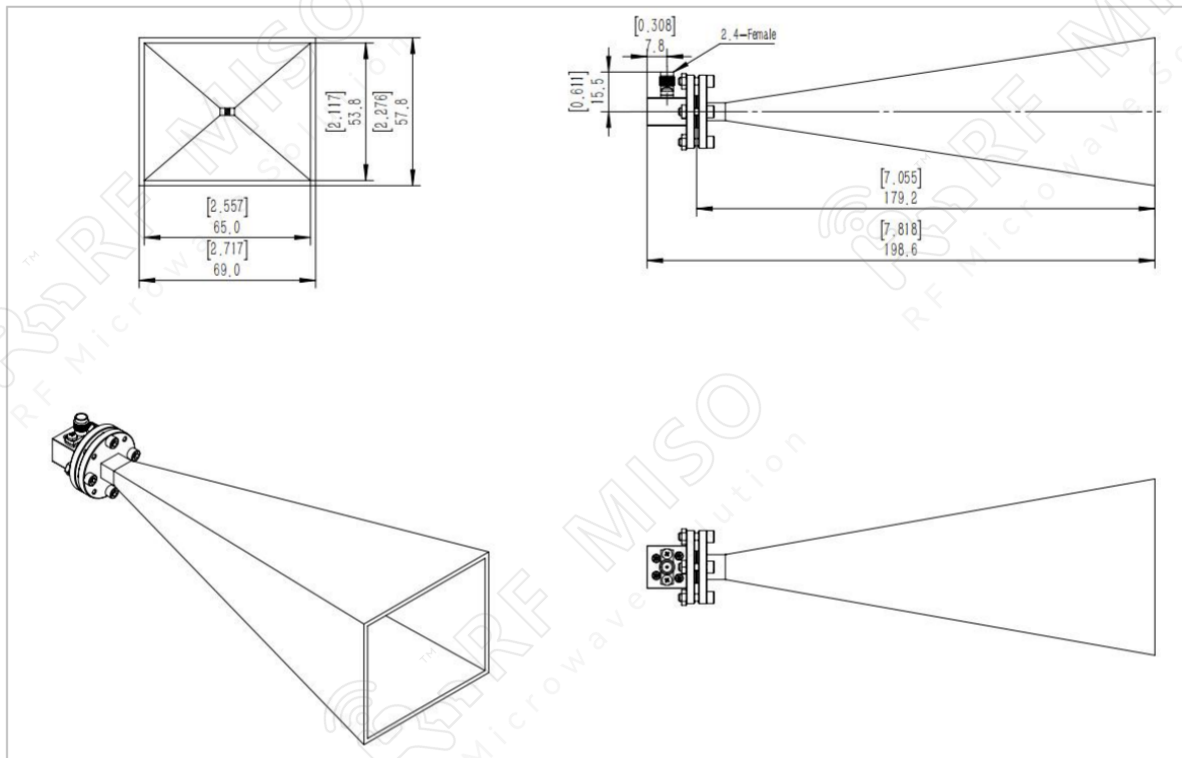


Standard Gain Horn Antenna
25dBi Typ. Gain, 33-50 GHz Frequency Range

Standard Gain Horn Antenna Data Sheet

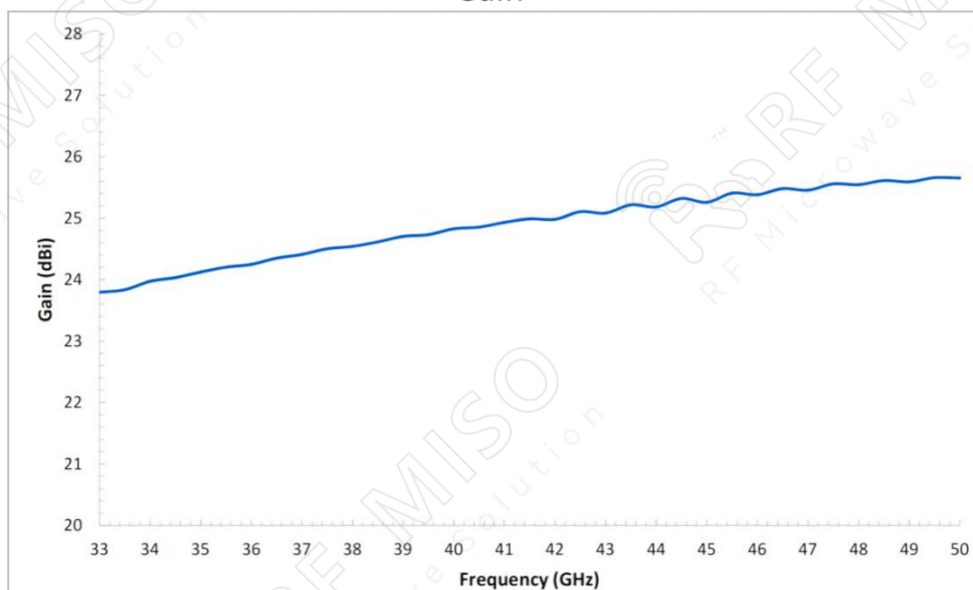
RM-SGHA22-25

Outline Drawing



Simulation Results

Gain



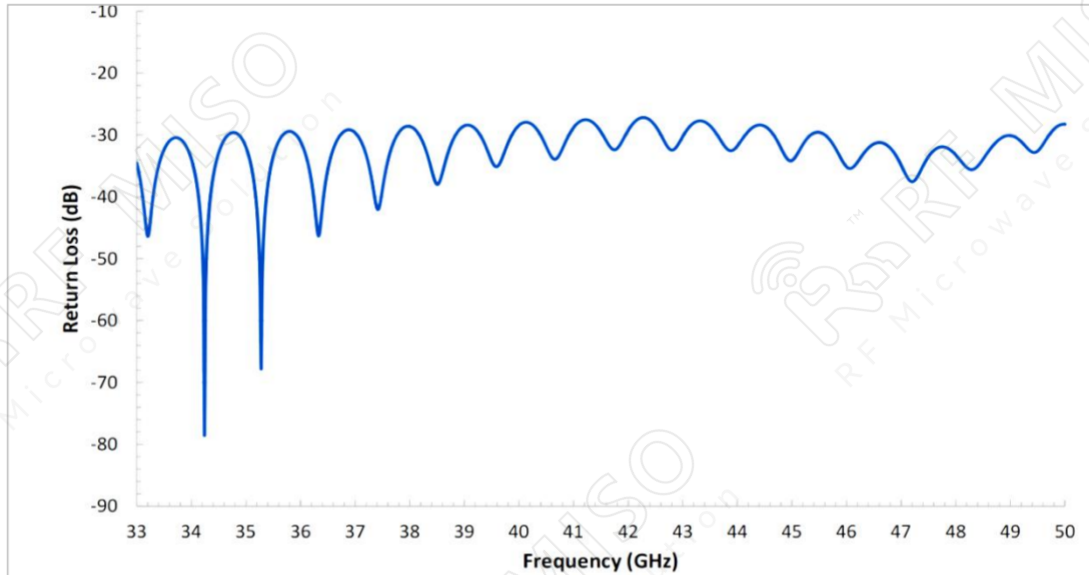


Standard Gain Horn Antenna
25dBi Typ. Gain, 33-50 GHz Frequency Range

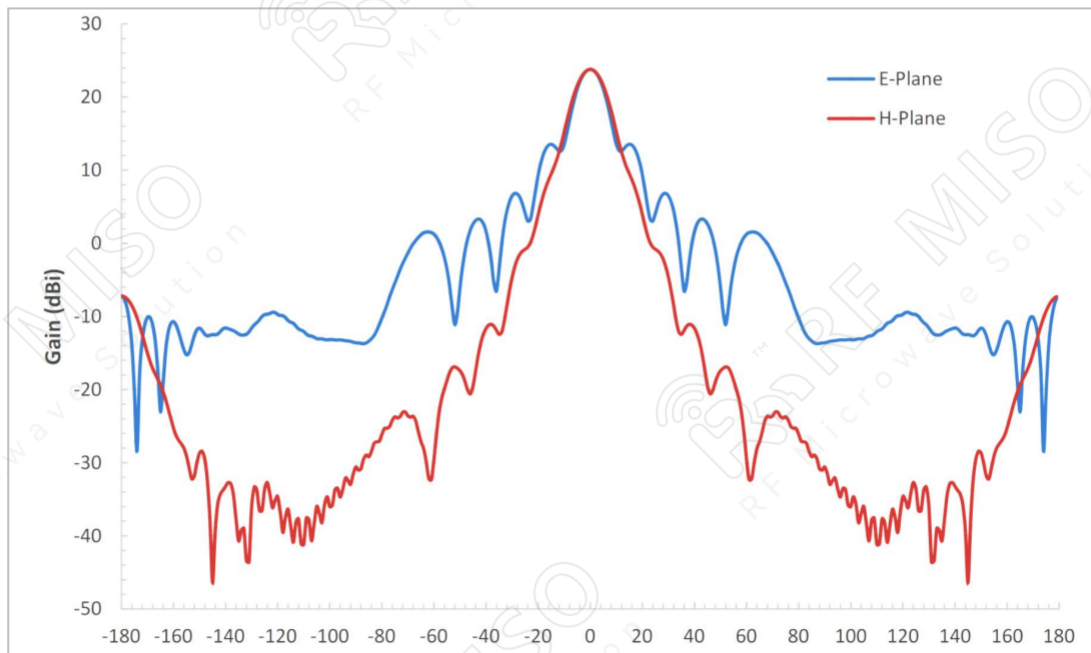
Standard Gain Horn Antenna Data Sheet

RM-SGHA22-25

Return Loss



Gain Pattern



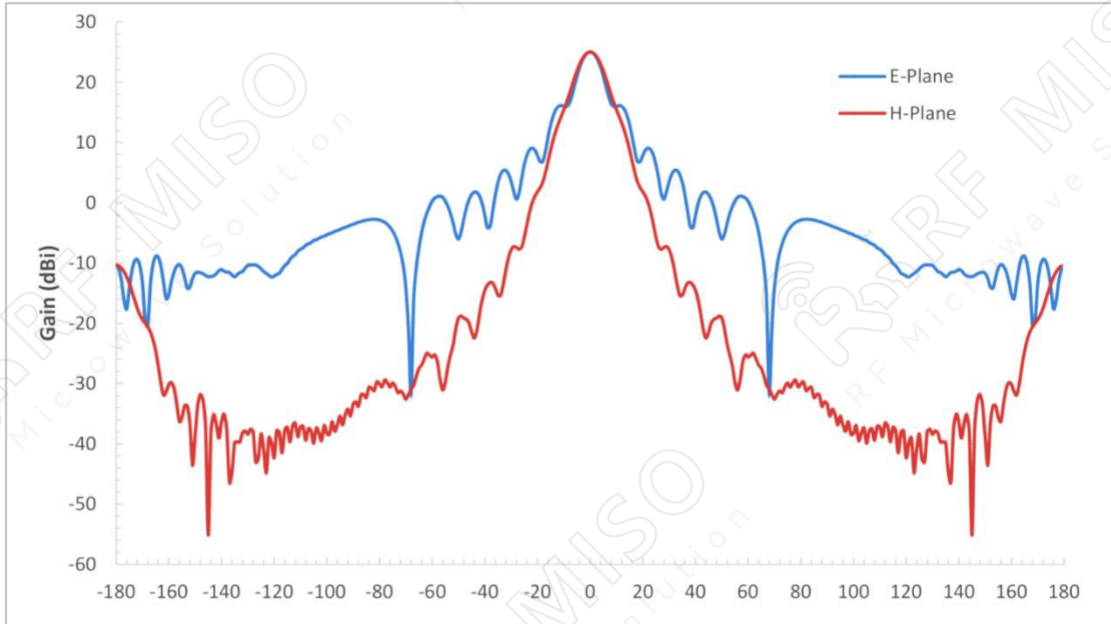
33GHz



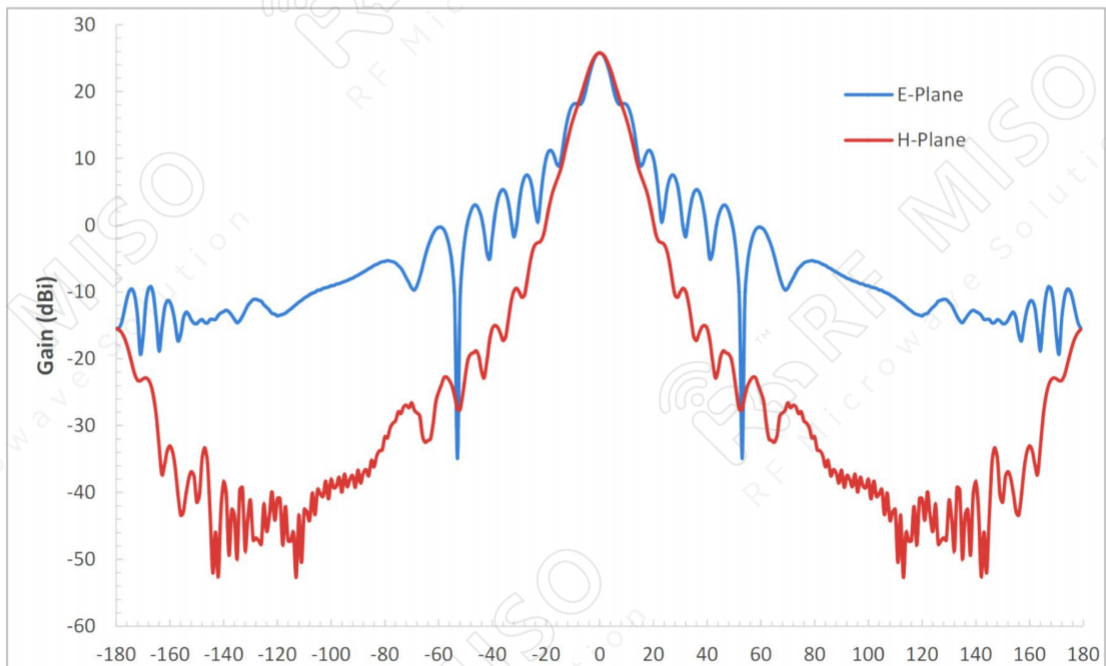
Standard Gain Horn Antenna
25dBi Typ. Gain, 33-50 GHz Frequency Range

Standard Gain Horn Antenna Data Sheet

RM-SGHA22-25



42GHZ



50GHZ