

*Standard Gain Horn Antenna  
20dBi Typ. Gain, 26.5-40 GHz Frequency Range*

**Standard Gain Horn Antenna Data Sheet**

**RM-SGHA28-20**

**Features**

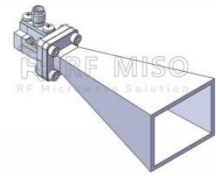
- Wave-guide and Connector Interface
- Low Side-lobe
- Linear Polarization
- High Return Loss

**Descriptions**

RF MISO's **Model RM-SGHA28-20** is a linear polarized standard gain horn antenna that operates from 26.5 to 40 GHz. The antenna offers a typical gain of 20 dBi and low VSWR 1.3:1. The antenna has a typical 3dB beamwidth of 17.3 degrees on the E plane and 17.5 degrees on H plane. This antenna has flange input and coaxial input for customers to rotate. Antenna mounting brackets include ordinary L-type mounting bracket and rotating L-type bracket<sup>①</sup>

**Specifications**

Parameters	Specification		Unit
Frequency Range	26.5-40		GHz
Wave-guide	WR28		
Gain	20 Typ.		dBi
VSWR	1.3 Typ.		
Polarization	Linear		
3 dB Beamwidth, E-Plane	17.3° Typ.		
3 dB Beamwidth, H-Plane	17.5° Typ.		
Interface	FBP320(F Type)	2.92-KFD(C Type)	
Material	Al		
Finishing	Paint		
C Type Size (L*W*H)	96.2*38.9*29.9 (±5)		mm
Weight	0.087(F Type)	0.15(C Type)	kg
C Type Average Power	20		W
C Type Peak Power	40		W
Operating Temperature	-40° ~+85°		° C

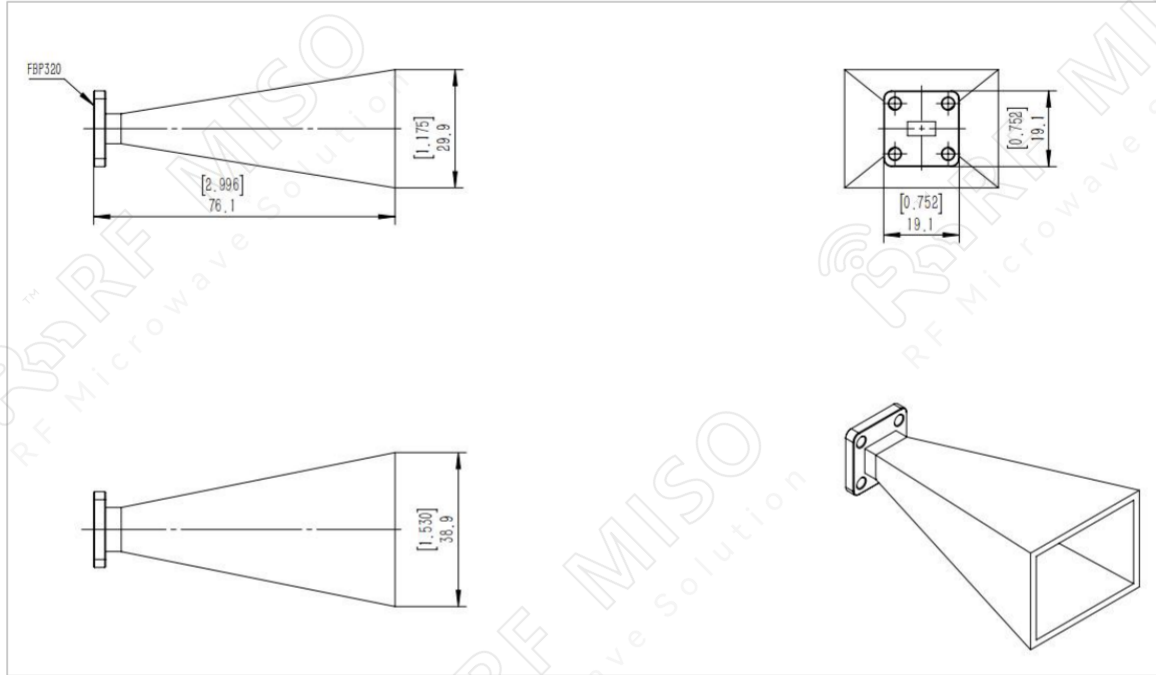


Standard Gain Horn Antenna  
20dBi Typ. Gain, 26.5-40 GHz Frequency Range

**Standard Gain Horn Antenna Data Sheet**

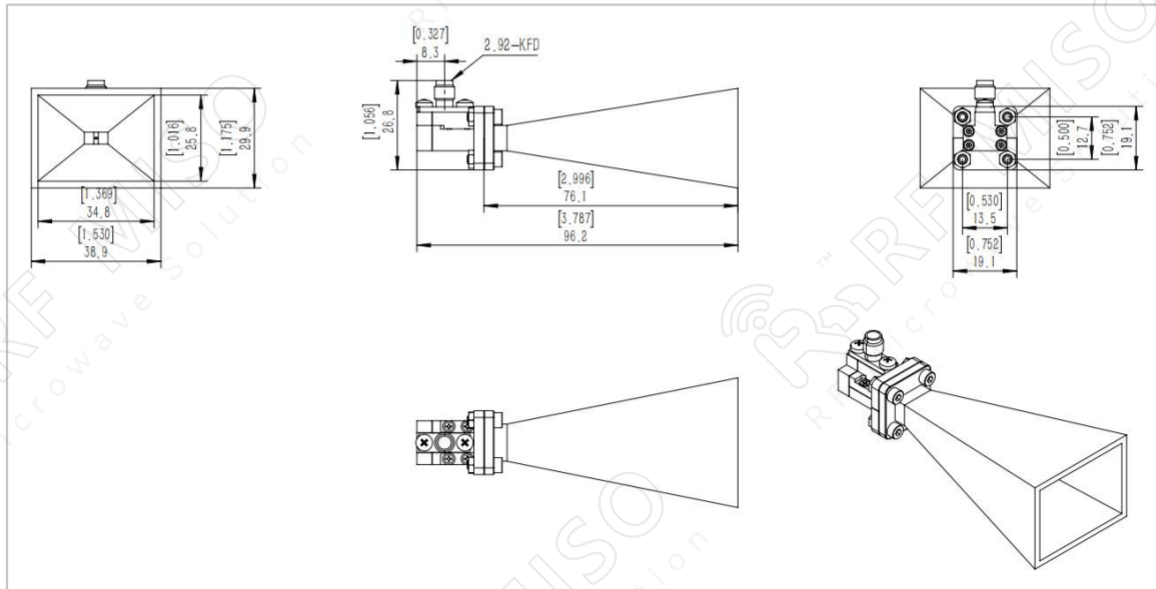
**RM-SGHA28-20**

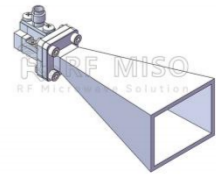
**F-Type Mechanical Drawing (P/N: RM-SGHA28-20F)**



**C-Type Mechanical Drawing (P/N: RM-SGHA28-20C)**

2.4mm-type connector is available, please contact RF Miso.



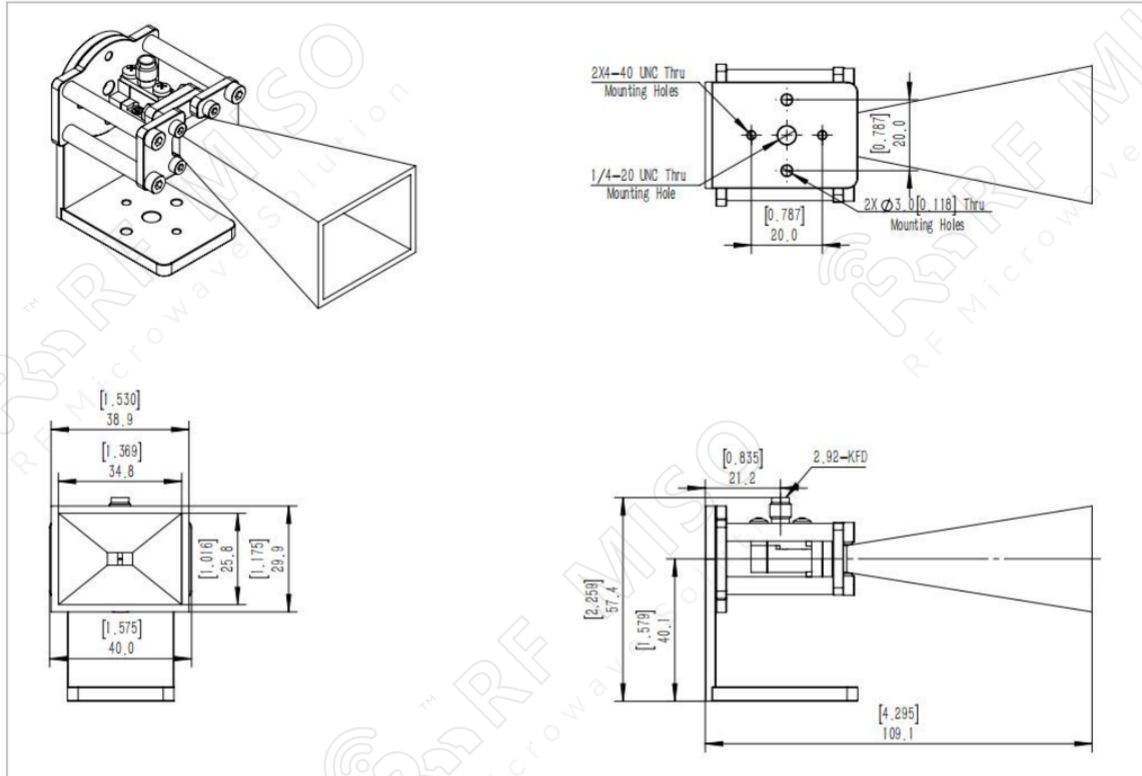


Standard Gain Horn Antenna  
20dBi Typ. Gain, 26.5-40 GHz Frequency Range

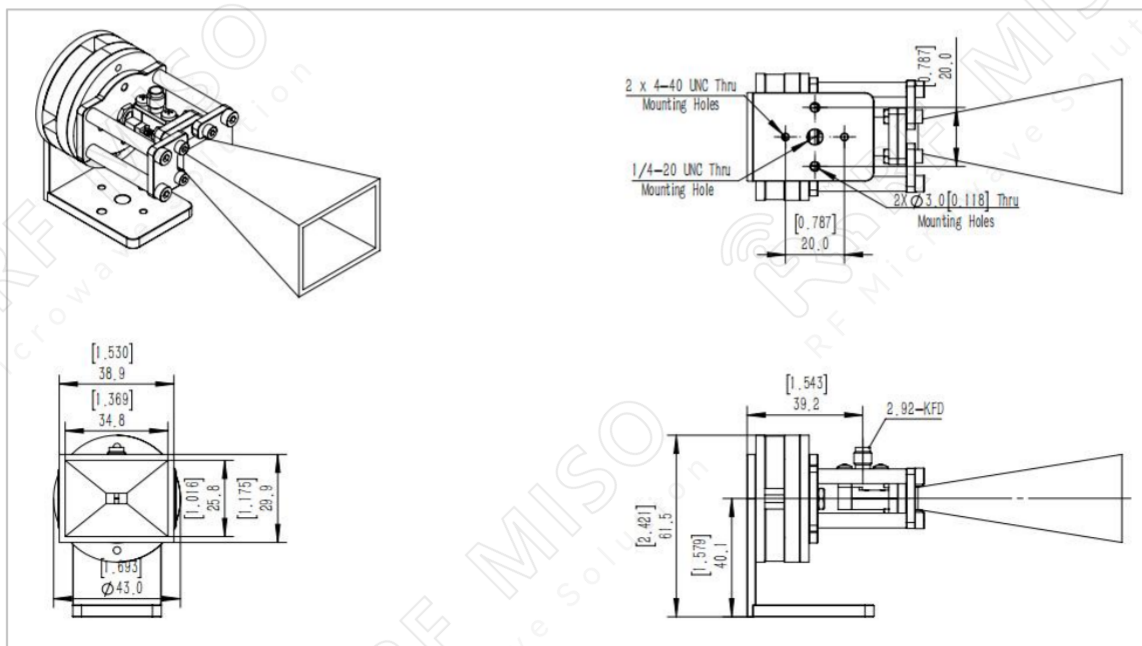
**Standard Gain Horn Antenna Data Sheet**

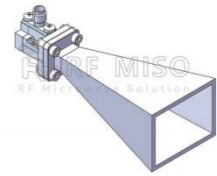
**RM-SGHA28-20**

**Mechanical Drawing with Original L-type Mounting Bracket (P/N: RM-SGHA28-20CL)**



**Mechanical Drawing with Rotating L-type Mounting Bracket (P/N: RM-SGHA28-20CR)**



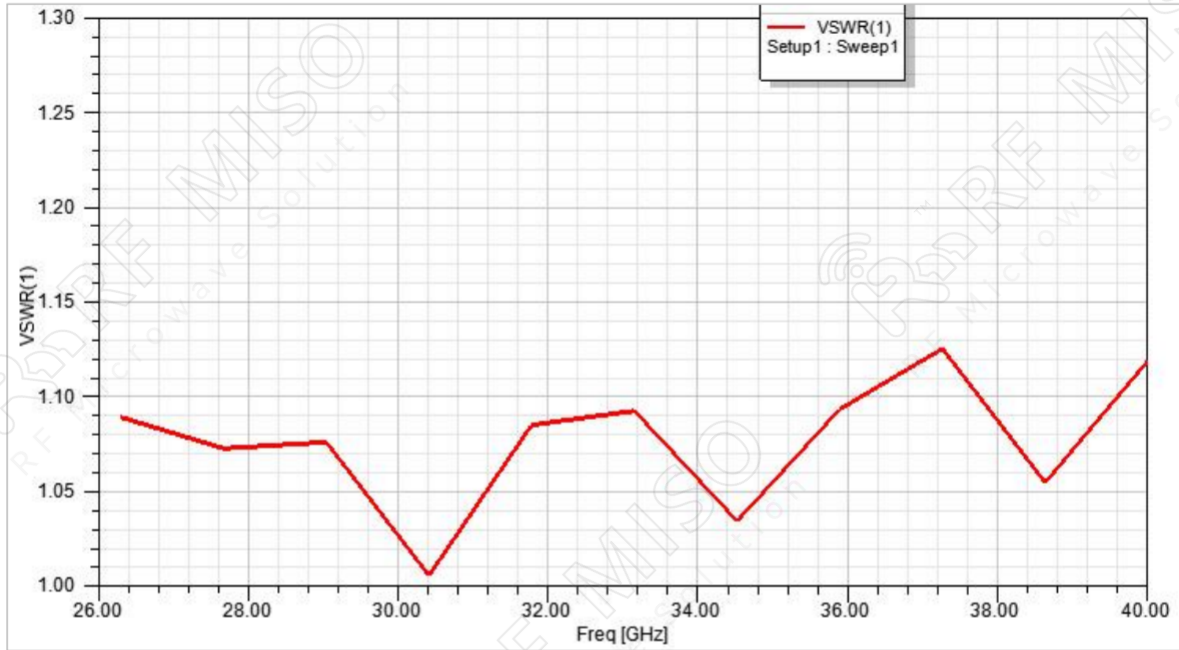


Standard Gain Horn Antenna  
20dBi Typ. Gain, 26.5-40 GHz Frequency Range

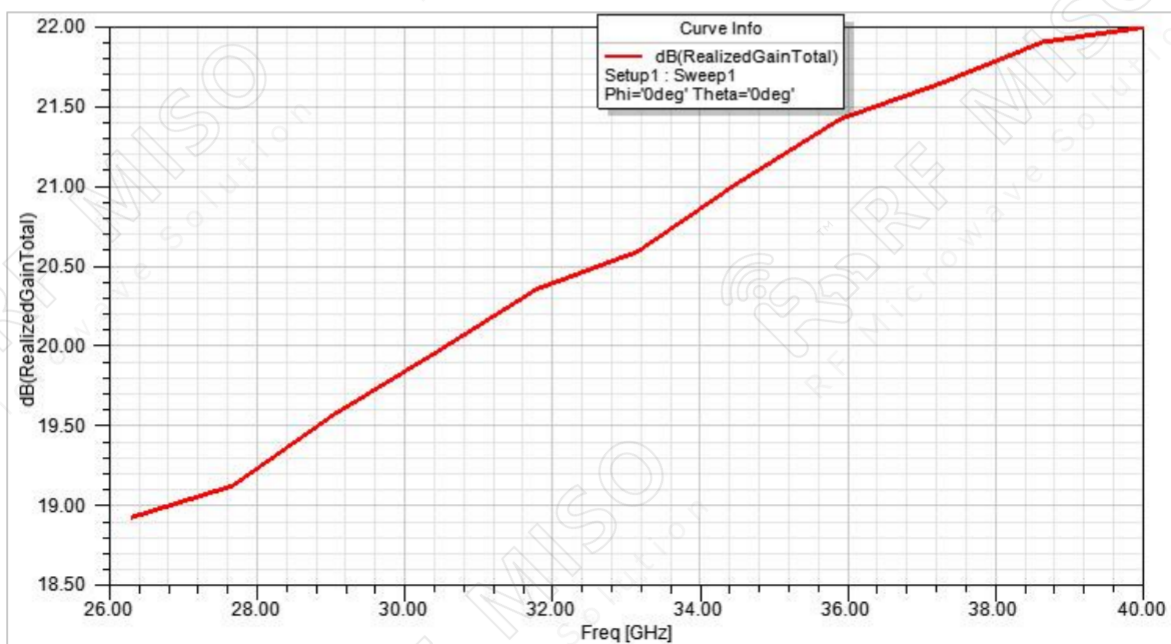
**Standard Gain Horn Antenna Data Sheet**

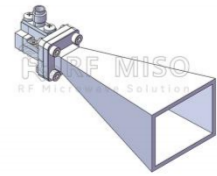
**RM-SGHA28-20**

**VSWR**



**Gain**



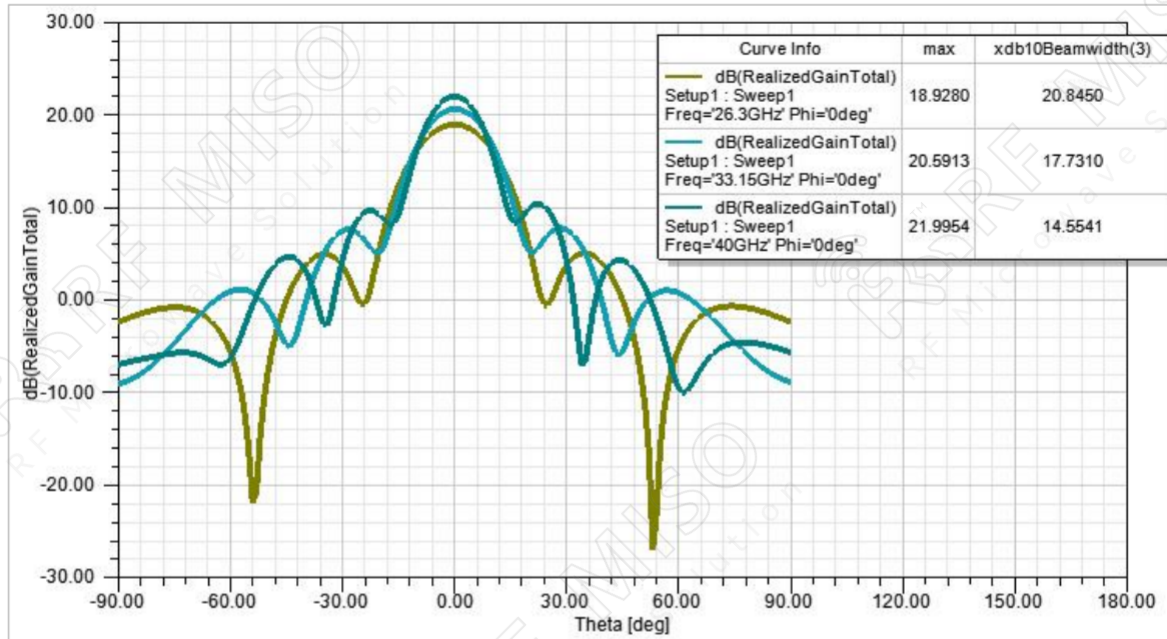


Standard Gain Horn Antenna  
20dBi Typ. Gain, 26.5-40 GHz Frequency Range

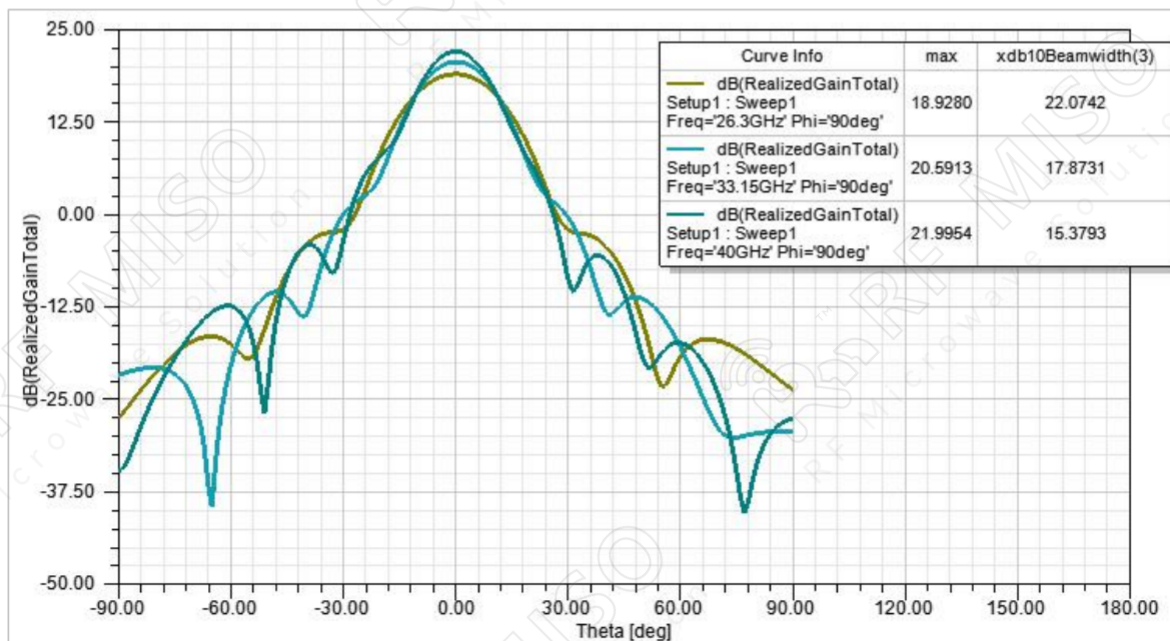
**Standard Gain Horn Antenna Data Sheet**

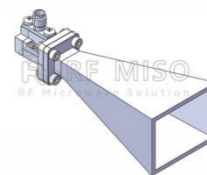
**RM-SGHA28-20**

Gain Pattern E-plane



Gain Pattern H-plane





*Standard Gain Horn Antenna*  
*20dBi Typ. Gain, 26.5-40 GHz Frequency Range*

## Standard Gain Horn Antenna Data Sheet

**RM-SGHA28-20**

① **Rotating L-type bracket:** The rotating bracket is used for antenna polarization adjustment, and the tooling integrated with the bracket can precisely adjust the polarization directions of  $0^\circ$ ,  $45^\circ$ , and  $90^\circ$  to ensure the accuracy and consistency of the calibration results.

Note:

- If the data presented is simulated. Actual data may vary unit to unit, slightly.
- Any foreign objects in the wave-guide will cause performance degradation and possible device damage.
- We can customize antennas according to your specific needs.