

Standard Gain Horn Antenna
15dBi Typ. Gain, 2.60-3.95 GHz Frequency Range

Standard Gain Horn Antenna Data Sheet

RM-SGHA284-15

Features

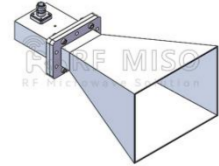
- Square Wave-guide Interface
- Low Side-lobe
- High Efficiency
- Standard Waveguide
- Linear Polarization
- High Return Loss

Descriptions

RF MISO's **Model RM-SGHA284-15** is a linear polarized standard gain horn antenna that operates from 2.60 to 3.95 GHz. The antenna offers a typical gain of 15 dBi and low VSWR 1.3:1. The antenna has a typical 3dB beamwidth of 32 degrees on the E plane and 31 degrees on H plane. This antenna has flange input and coaxial input for customers to rotate. Antenna mounting brackets include ordinary L-type mounting bracket and rotating L-type bracket①

Specifications

RM-SGHA284-15			
Parameters	Specification		Unit
Frequency Range	2.60-3.95		GHz
Wave-guide	WR284		
Gain	15 Typ.		dBi
VSWR	1.3 Typ.		
Polarization	Linear		
3 dB Beamwidth, E-Plane	32 ° Typ.		
3 dB Beamwidth, H-Plane	31° Typ.		
Interface	FDP32(F Type)	N-KFD(C Type)	
Material	Al		
Finishing	Paint		
Size,C Type	348.3*199.7*144.8(L*W*H)		mm
Weight	0.697(F Type)	1.109(C Type)	kg
Operating Temperature	-40° ~+85°		° C

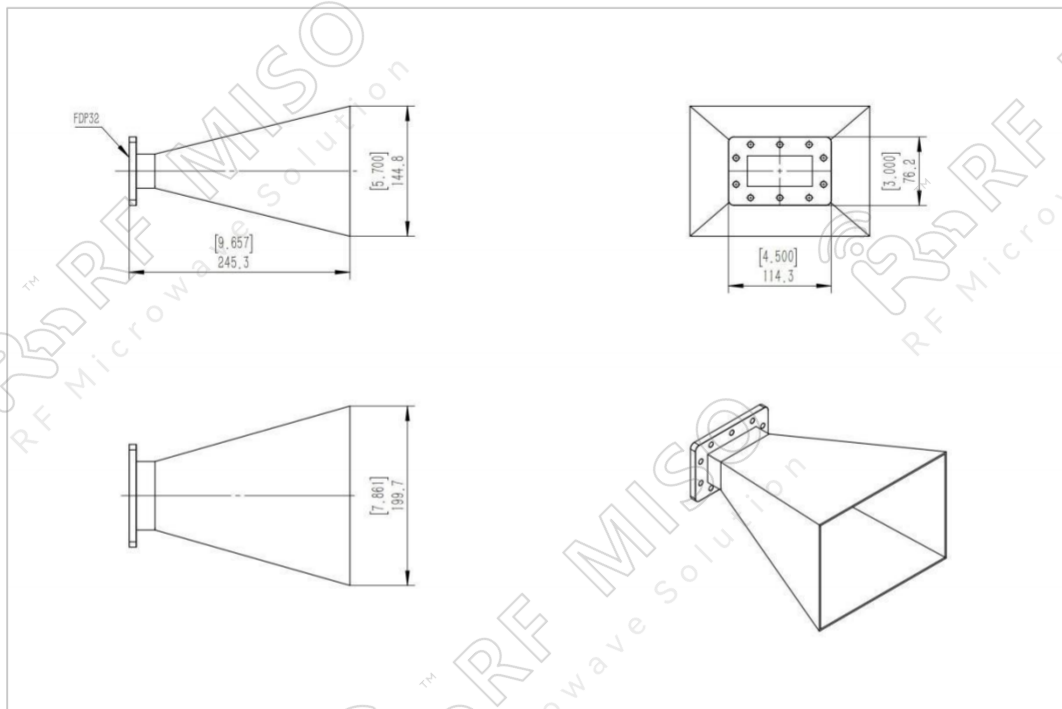


Standard Gain Horn Antenna
15dBi Typ. Gain, 2.60-3.95 GHz Frequency Range

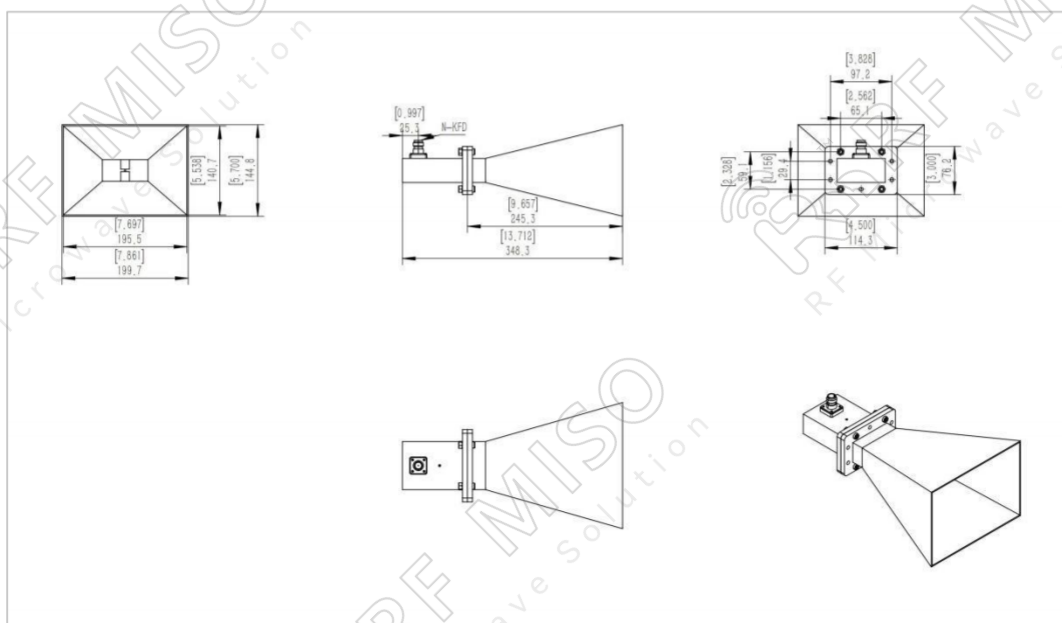
Standard Gain Horn Antenna Data Sheet

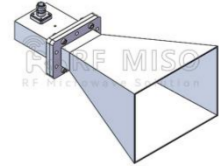
RM-SGHA284-15

F-Type Mechanical Drawing



C-Type Mechanical Drawing



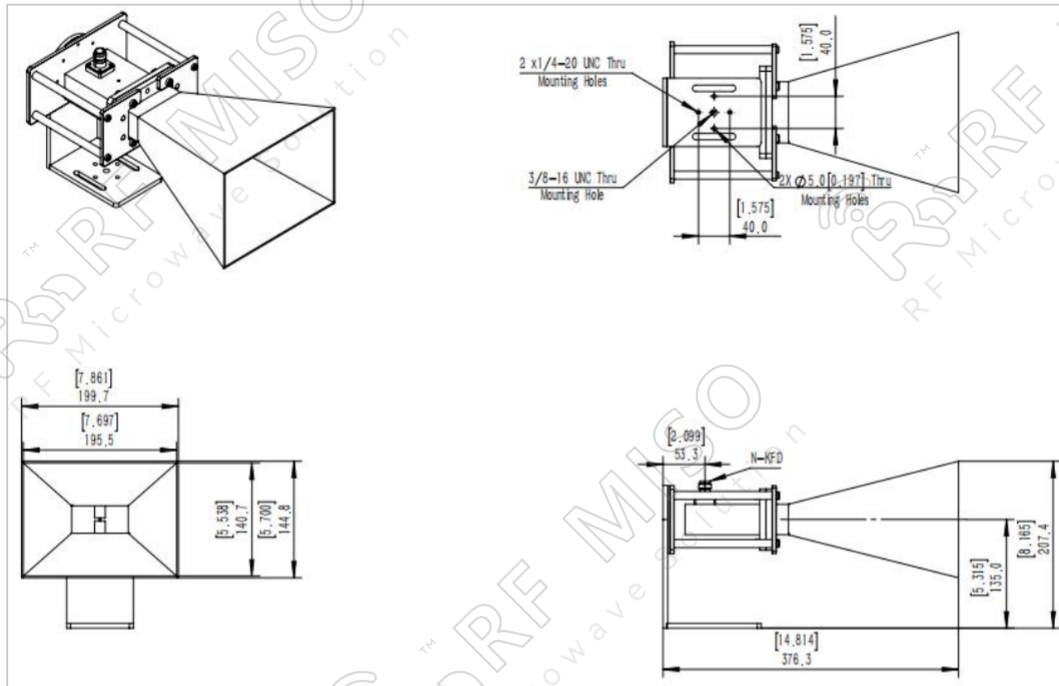


Standard Gain Horn Antenna
15dBi Typ. Gain, 2.60-3.95 GHz Frequency Range

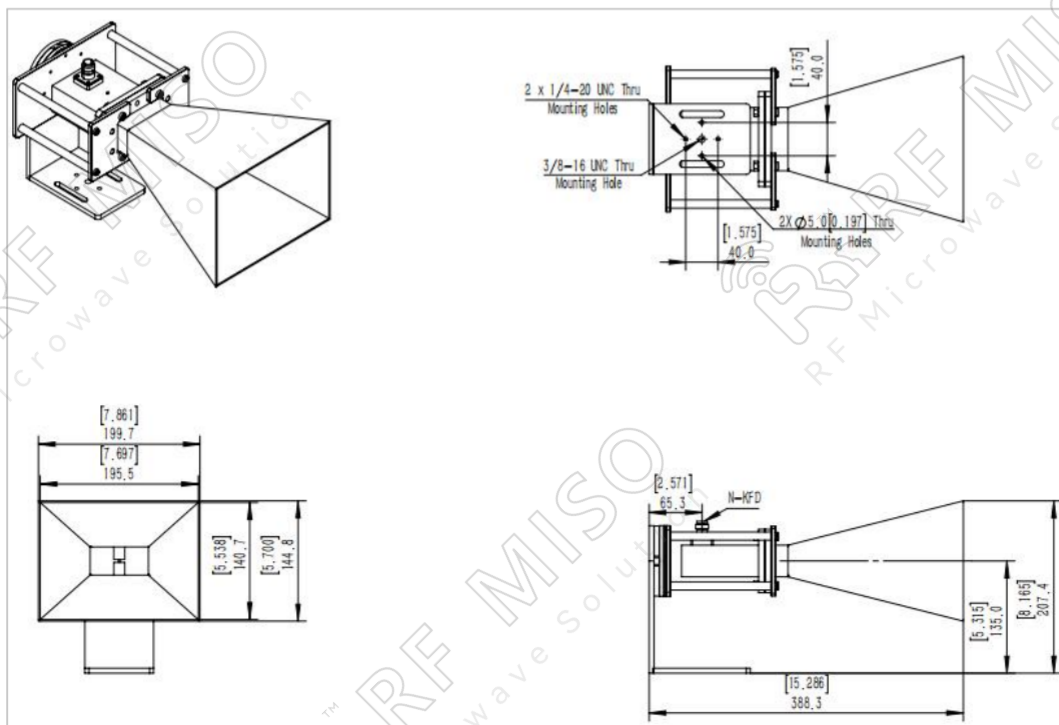
Standard Gain Horn Antenna Data Sheet

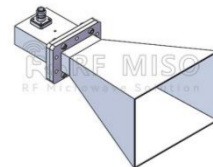
RM-SGHA284-15

Mechanical Drawing with Ordinary L-type Mounting Bracket



Mechanical Drawing with Rotating L-type Mounting Bracket



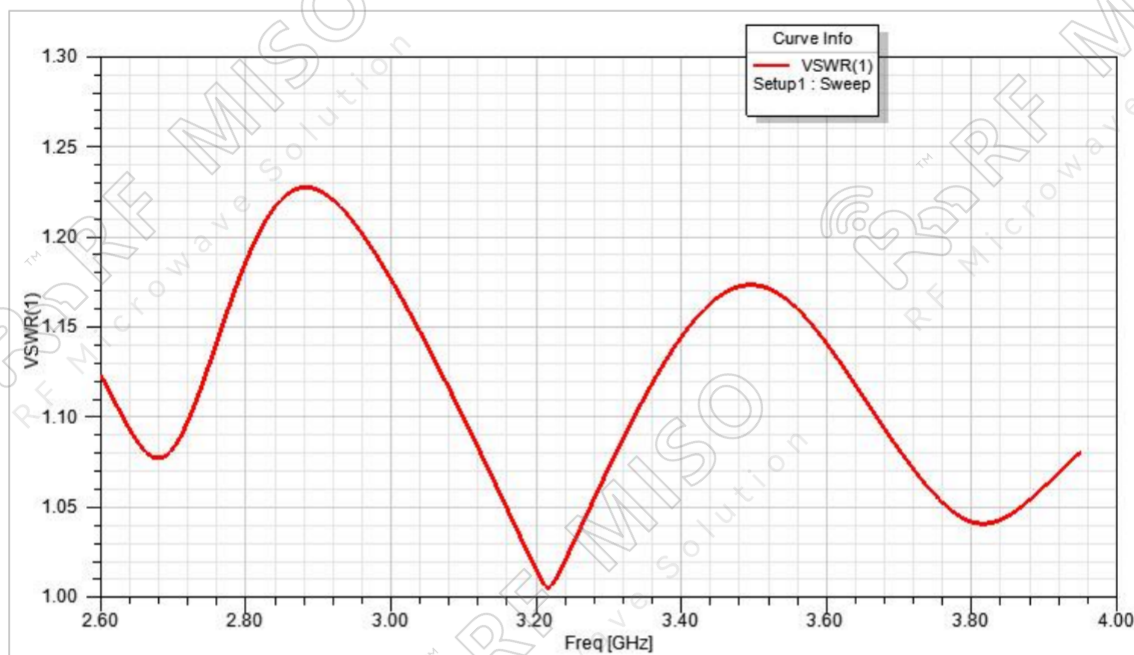


Standard Gain Horn Antenna
15dBi Typ. Gain, 2.60-3.95 GHz Frequency Range

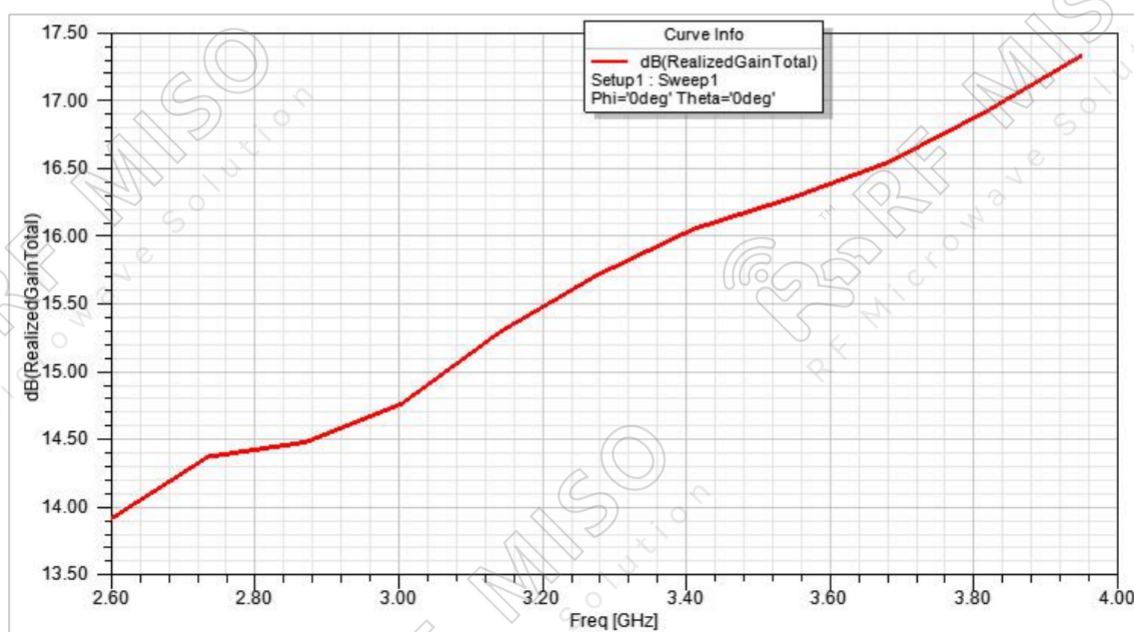
Standard Gain Horn Antenna Data Sheet

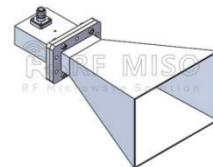
RM-SGHA284-15

VSWR



Gain



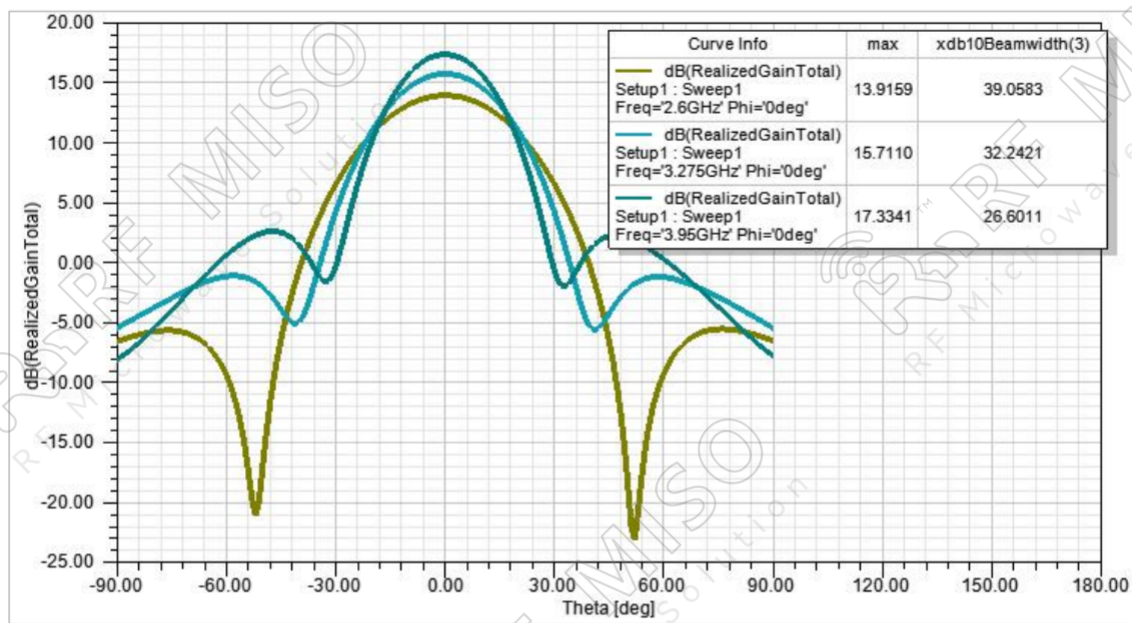


Standard Gain Horn Antenna
15dBi Typ. Gain, 2.60-3.95 GHz Frequency Range

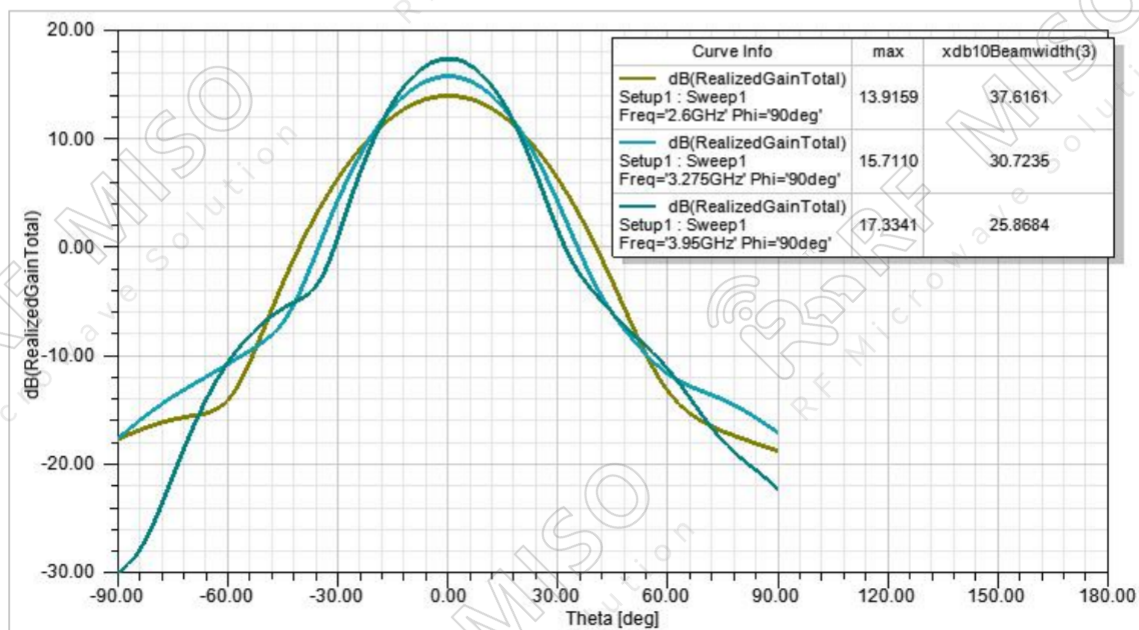
Standard Gain Horn Antenna Data Sheet

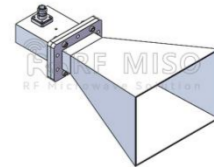
RM-SGHA284-15

Gain Pattern E-plane



Gain Pattern H-plane





Standard Gain Horn Antenna
15dBi Typ. Gain, 2.60-3.95 GHz Frequency Range

Standard Gain Horn Antenna Data Sheet

RM-SGHA284-15

① **Rotating L-type bracket:** The rotating bracket is used for antenna polarization adjustment, and the tooling integrated with the bracket can precisely adjust the polarization directions of 0° , 45° , and 90° to ensure the accuracy and consistency of the calibration results.

Note:

- If the data presented is simulated. Actual data may vary unit to unit, slightly.
- Any foreign objects in the wave-guide will cause performance degradation and possible device damage.
- We can customize antennas according to your specific needs.