

Standard Gain Horn Antenna
15dBi Typ. Gain, 21.7-33 GHz Frequency Range

Standard Gain Horn Antenna Data Sheet

RM-SGHA34-15

Features

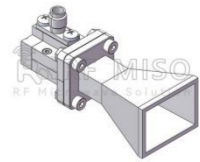
- Wave-guide and Connector Interface
- Low Side-lobe
- Linear Polarization
- High Return Loss

Descriptions

RF MISO's **Model RM-SGHA34-15** is a linear polarized standard gain horn antenna that operates from 21.7 to 33 GHz. The antenna offers a typical gain of 15 dBi and low VSWR 1.3:1. The antenna has a typical 3dB beamwidth of 32 degrees on the E plane and 31 degrees on H plane. This antenna has flange input and coaxial input for customers to rotate. Antenna mounting brackets include ordinary L-type mounting bracket and rotating L-type bracket^①

Specifications

Parameters	Specification		Unit
Frequency Range	21.7-33		GHz
Wave-guide	WR34		
Gain	15 Typ.		dBi
VSWR	1.3 Typ.		
Polarization	Linear		
3 dB Beamwidth, E-Plane	32° Typ.		
3 dB Beamwidth, H-Plane	31° Typ.		
Interface	FBP260(F Type)	SMA-KFD(C Type)	
Material	Al		
Finishing	Paint		
C Type Size (L*W*H)	62.3*26.5*28.2 (±5)		mm
Weight	0.070(F Type)	0.025(C Type)	kg
C Type Average Power	50		W
C Type Peak Power	3000		W
Operating Temperature	-40° ~+85°		° C

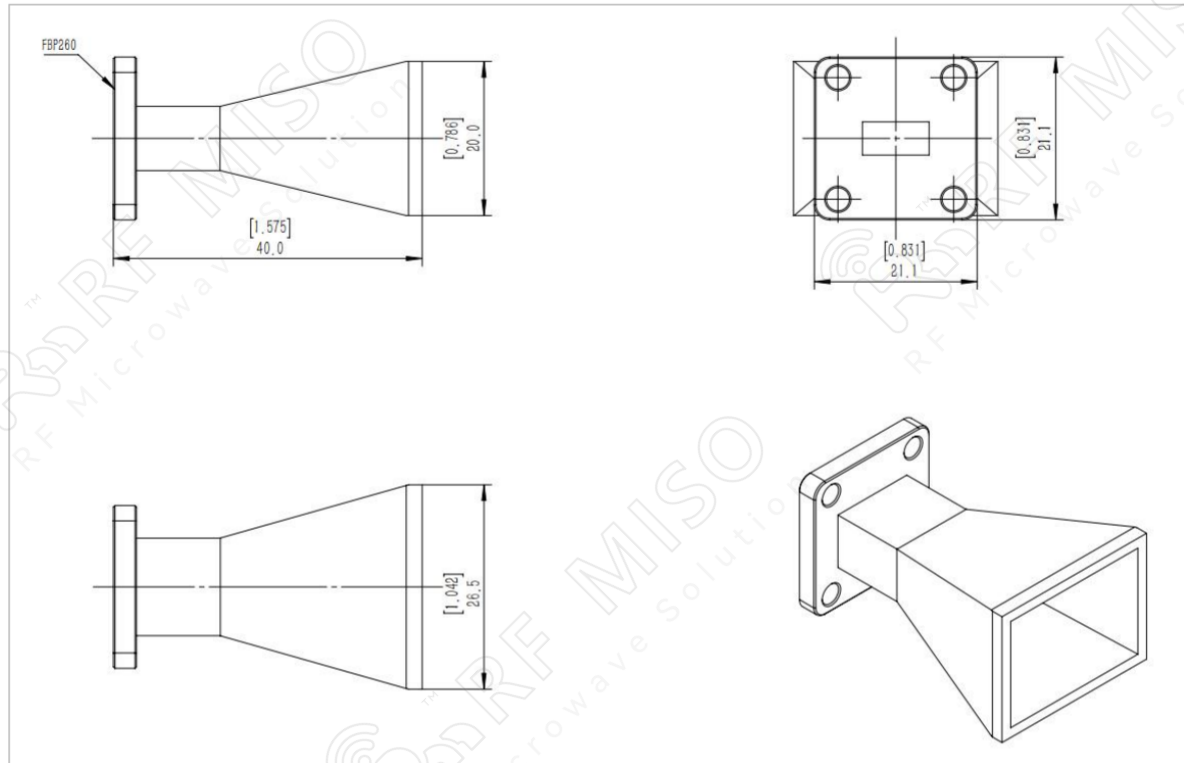


Standard Gain Horn Antenna
15dBi Typ. Gain, 21.7-33 GHz Frequency Range

Standard Gain Horn Antenna Data Sheet

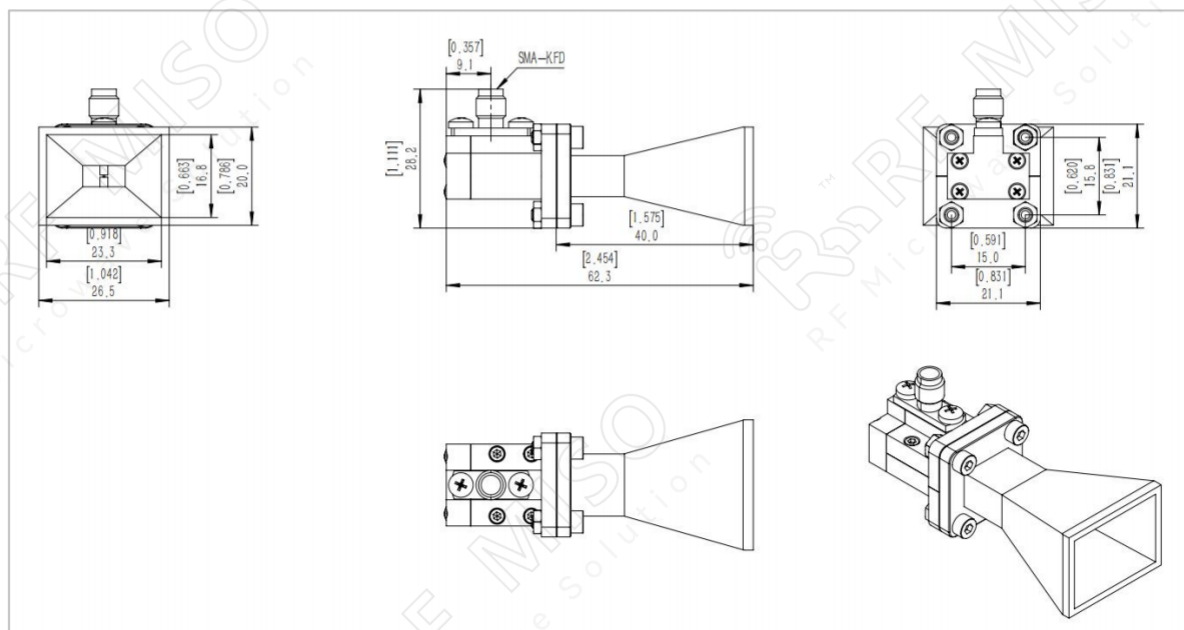
RM-SGHA34-15

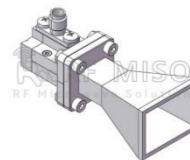
F-Type Mechanical Drawing (P/N: RM-SGHA34-15F)



C-Type Mechanical Drawing (P/N: RM-SGHA34-15C)

2.92mm-type connector is available, please contact RF Miso.



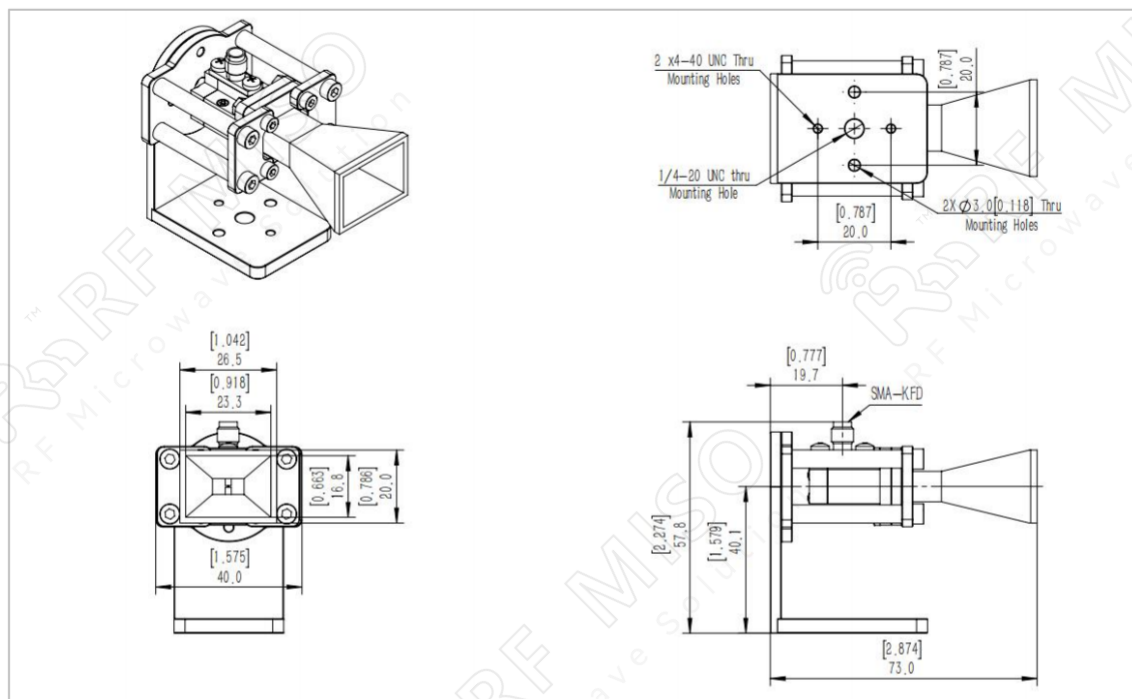


Standard Gain Horn Antenna
15dBi Typ. Gain, 21.7-33 GHz Frequency Range

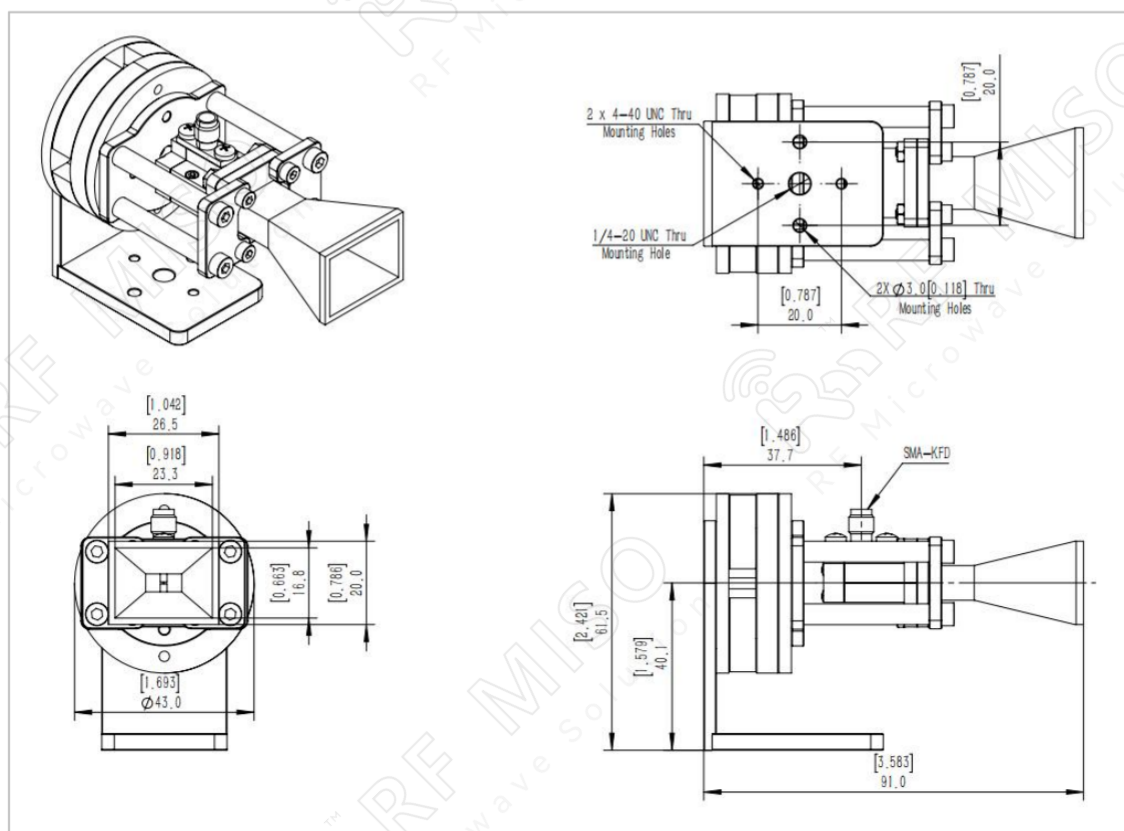
Standard Gain Horn Antenna Data Sheet

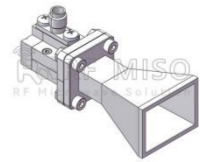
RM-SGHA34-15

Mechanical Drawing with Original L-type Mounting Bracket (P/N: RM-SGHA34-15CL)



Mechanical Drawing with Rotating L-type Mounting Bracket (P/N: RM-SGHA34-15CR)



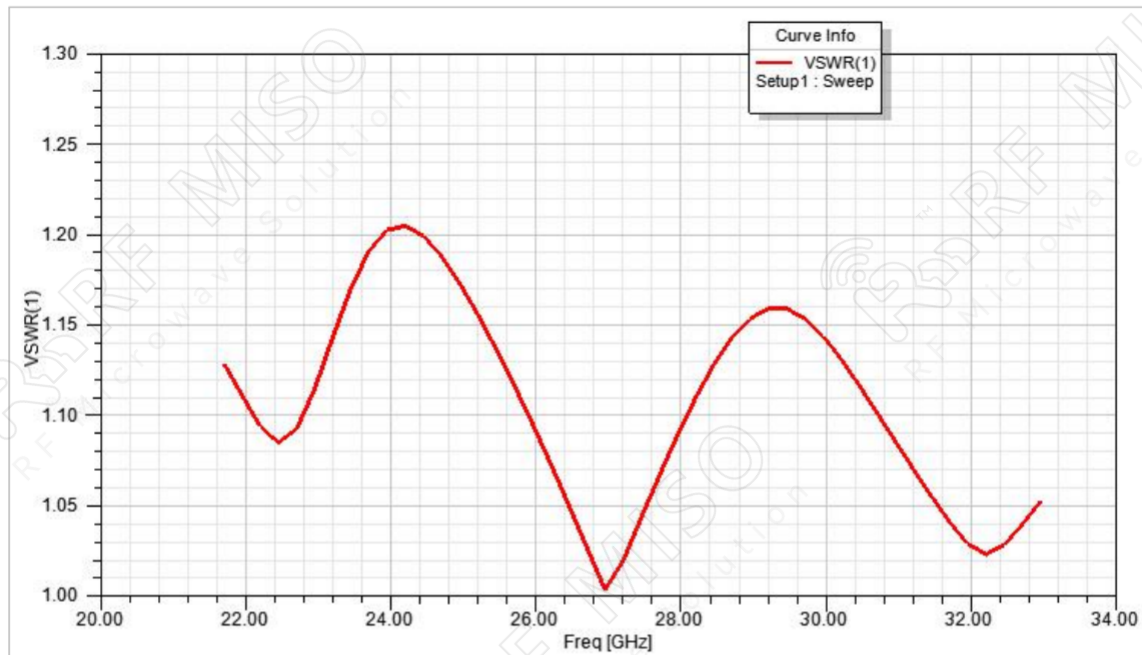


Standard Gain Horn Antenna
15dBi Typ. Gain, 21.7-33 GHz Frequency Range

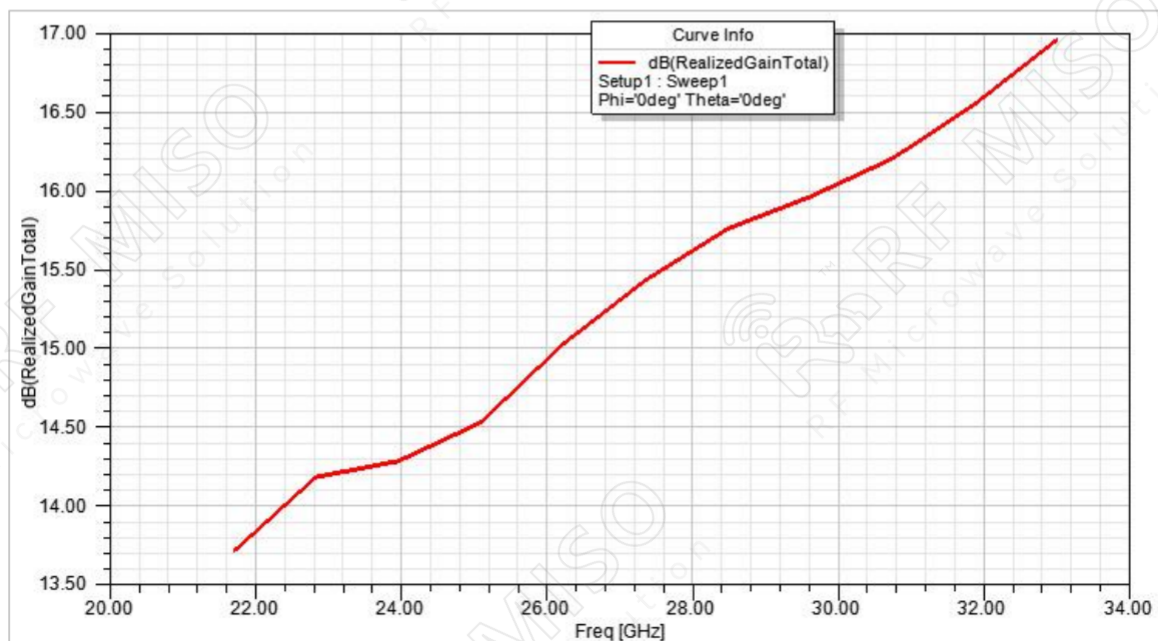
Standard Gain Horn Antenna Data Sheet

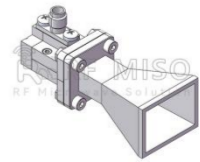
RM-SGHA34-15

VSWR



Gain



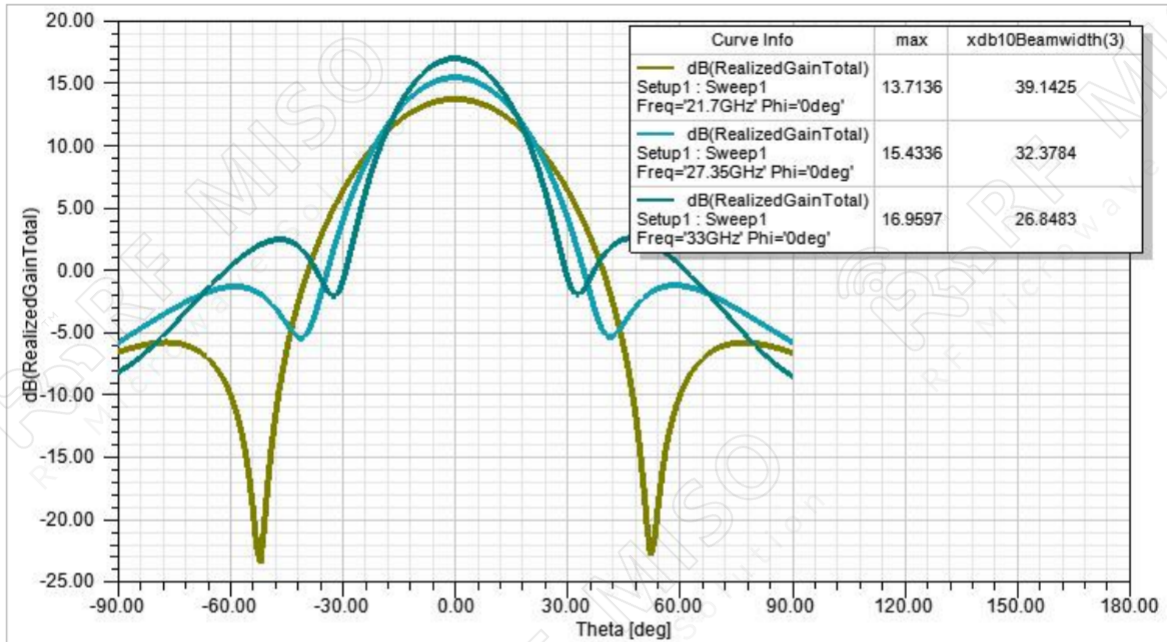


Standard Gain Horn Antenna
15dBi Typ. Gain, 21.7-33 GHz Frequency Range

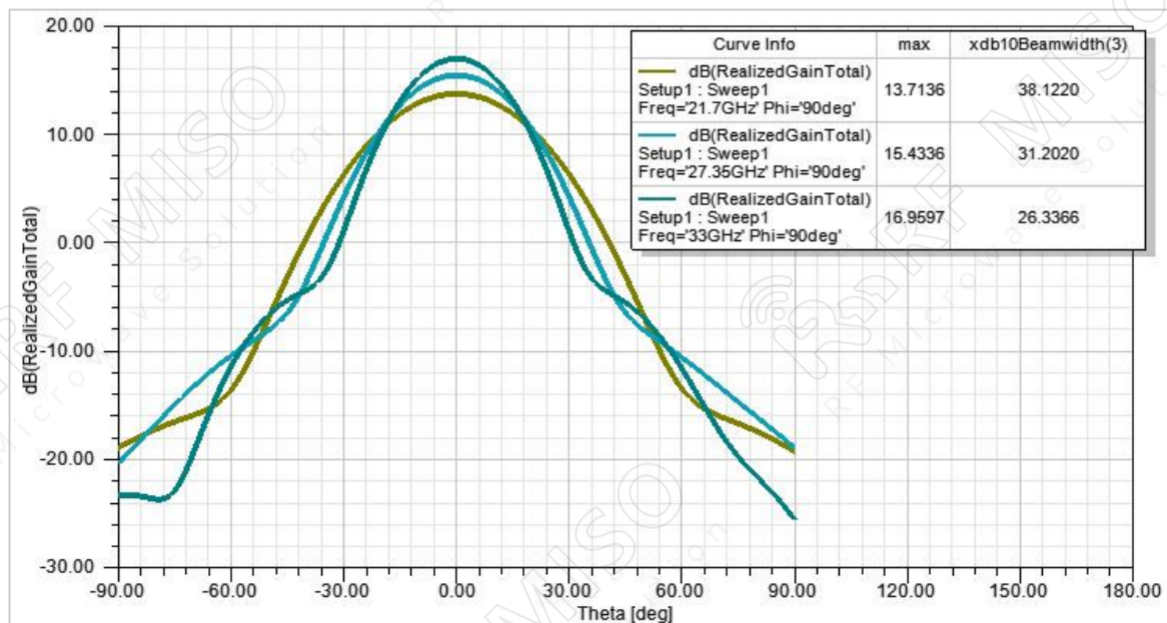
Standard Gain Horn Antenna Data Sheet

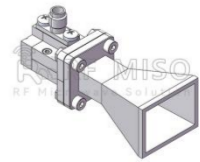
RM-SGHA34-15

Gain Pattern E-plane



Gain Pattern H-plane





Standard Gain Horn Antenna Data Sheet

RM-SGHA34-15

① **Rotating L-type bracket:** The rotating bracket is used for antenna polarization adjustment, and the tooling integrated with the bracket can precisely adjust the polarization directions of 0° , 45° , and 90° to ensure the accuracy and consistency of the calibration results.

Note:

- If the data presented is simulated. Actual data may vary unit to unit, slightly.
- Any foreign objects in the wave-guide will cause performance degradation and possible device damage.
- We can customize antennas according to your specific needs.