

*Standard Gain Horn Antenna
25dBi Typ. Gain, 17.6-26.7 GHz Frequency Range*

Standard Gain Horn Antenna Data Sheet

RM-SGHA42-25

Features

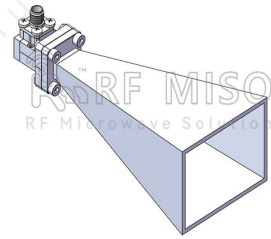
- Wave-guide and Connector Interface
- Low Side-lobe
- Linear Polarization
- High Return Loss

Descriptions

RF MISO's **Model RM-SGHA42-25** is a linear polarized standard gain horn antenna that operates from 17.6 to 26.7 GHz. The antenna offers a typical gain of 25 dBi and low VSWR 1.3:1. The antenna has a typical 3dB beamwidth of 8.7° degrees on the E plane and 9.9° degrees on H plane. This antenna has flange input and coaxial input for customers to rotate.

Specifications

| Parameters | Specification | Unit |
|-------------------------|---------------------|------|
| Frequency Range | 17.6-26.7 | GHz |
| Wave-guide | WR42 | |
| Gain | 25 Typ. | dBi |
| VSWR | 1.3 Typ. | |
| Polarization | Linear | |
| 3 dB Beamwidth, E-Plane | 8.7° Typ. | |
| 3 dB Beamwidth, H-Plane | 9.9° Typ. | |
| Interface | 2.92mm-F(C Type) | |
| Material | Al | |
| Finishing | Paint | |
| C Type Size (L*W*H) | 282.4*104.1*69 (±5) | mm |
| Weight | 0.271(C Type) | kg |
| C Type Average Power | 50 | W |
| C Type Peak Power | 3000 | W |
| Operating Temperature | -40° ~+85° | ° C |

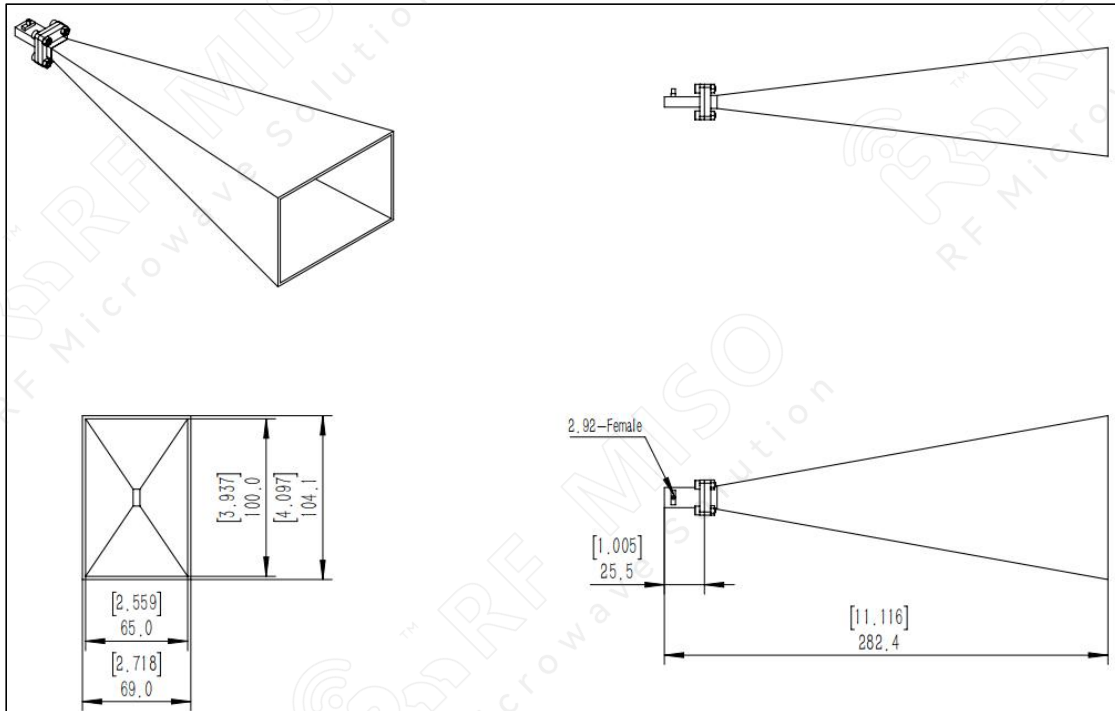


Standard Gain Horn Antenna
25dBi Typ. Gain, 17.6-26.7 GHz Frequency Range

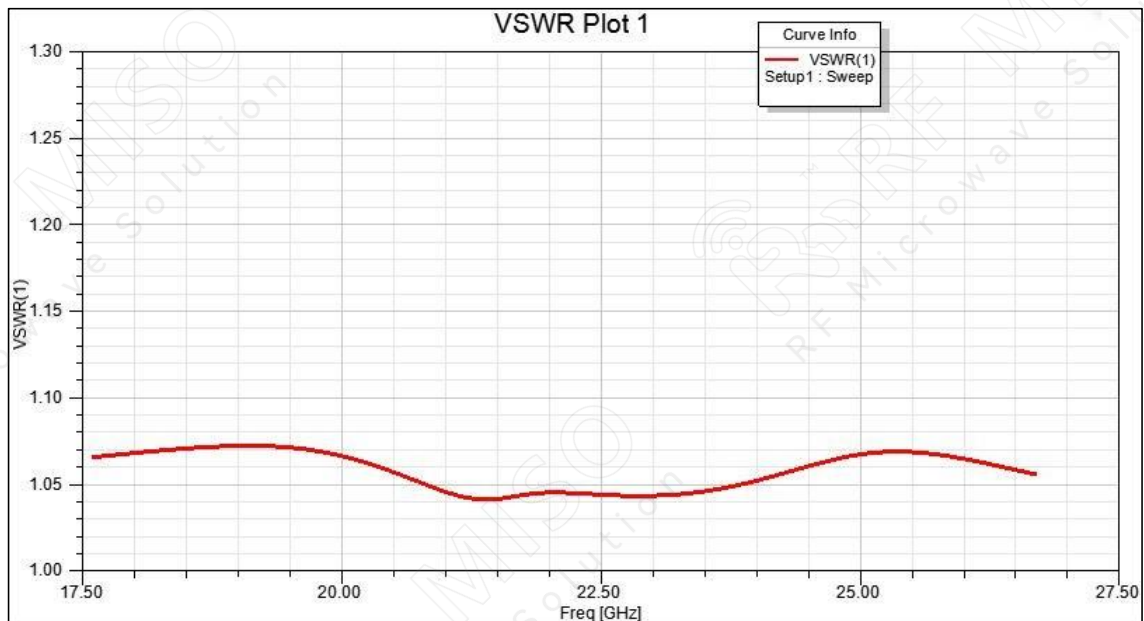
Standard Gain Horn Antenna Data Sheet

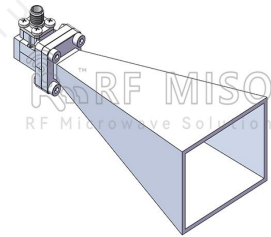
RM-SGHA42-25

Outline Drawing (mm)



VSWR



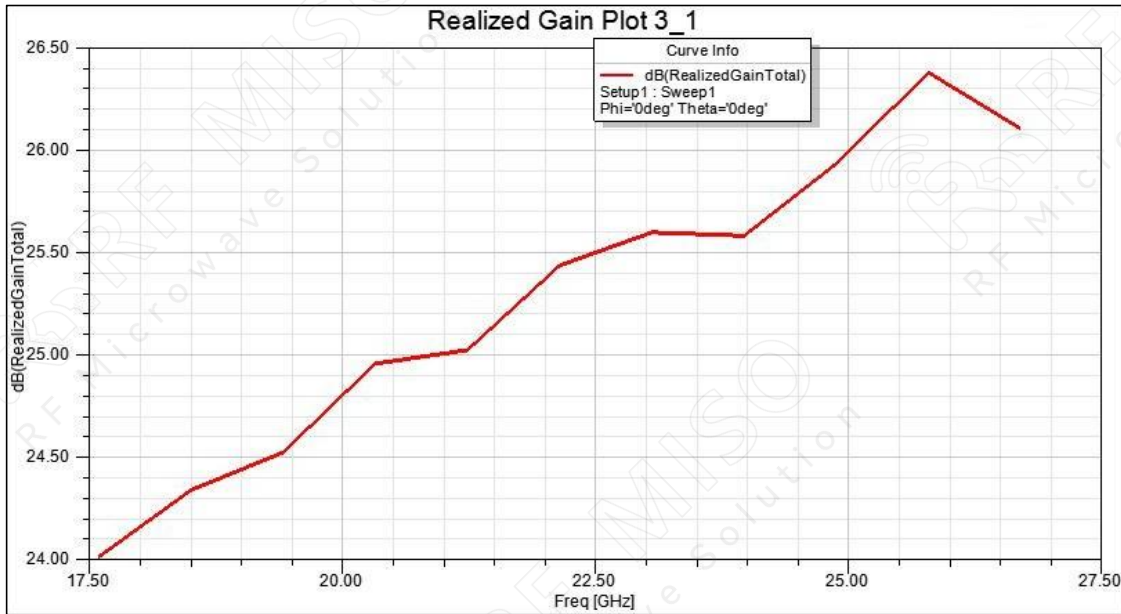


Standard Gain Horn Antenna
25dBi Typ. Gain, 17.6-26.7 GHz Frequency Range

Standard Gain Horn Antenna Data Sheet

RM-SGHA42-25

Gain



Pattern

