

Standard Gain Horn Antenna  
 15dBi Typ. Gain, 1.70-2.60 GHz Frequency Range

## Standard Gain Horn Antenna Data Sheet

**RM-SGHA430-15**

### Features

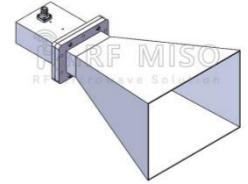
- Square Wave-guide Interface
- Low Side-lobe
- Linear Polarization
- High Return Loss

### Descriptions

RF MISO's **Model RM-SGHA430-15** is a linear polarized standard gain horn antenna that operates from 1.70 to 2.60 GHz. The antenna offers a typical gain of 15 dBi and low VSWR 1.3:1. The antenna has a typical 3dB beamwidth of 32 degrees on the E plane and 31 degrees on H plane. This antenna has flange input and coaxial input for customers to rotate. Antenna mounting brackets is ordinary L-type mounting bracket.

### Specifications

Parameters	Specification		Unit
Frequency Range	1.70-2.60		GHz
Wave-guide	WR430		
Gain	15 Typ.		dBi
VSWR	1.3 Typ.		
Polarization	Linear		
3 dB Beamwidth, E-Plane	32° Typ.		
3 dB Beamwidth, H-Plane	31° Typ.		
Interface	FDP22(F Type)	SMA-Female(C Type)	
Material	Al		
Finishing	Paint		
Size,C Type (L*W*H)	496.1*300.1*217.1 (±5)		mm
Weight	1.673(F Type)	2.114(C Type)	kg
C Type Average Power	150		w
C Type Peak Power	3000		w
Operating Temperature	-40° ~+85°		° C

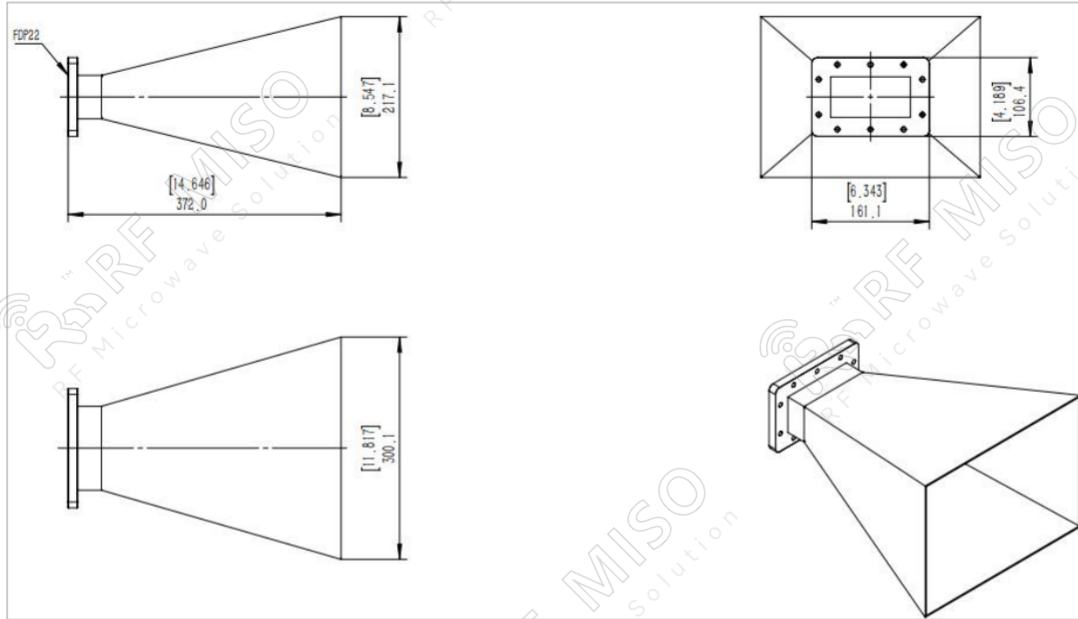


Standard Gain Horn Antenna  
15dBi Typ. Gain, 1.70-2.60 GHz Frequency Range

**Standard Gain Horn Antenna Data Sheet**

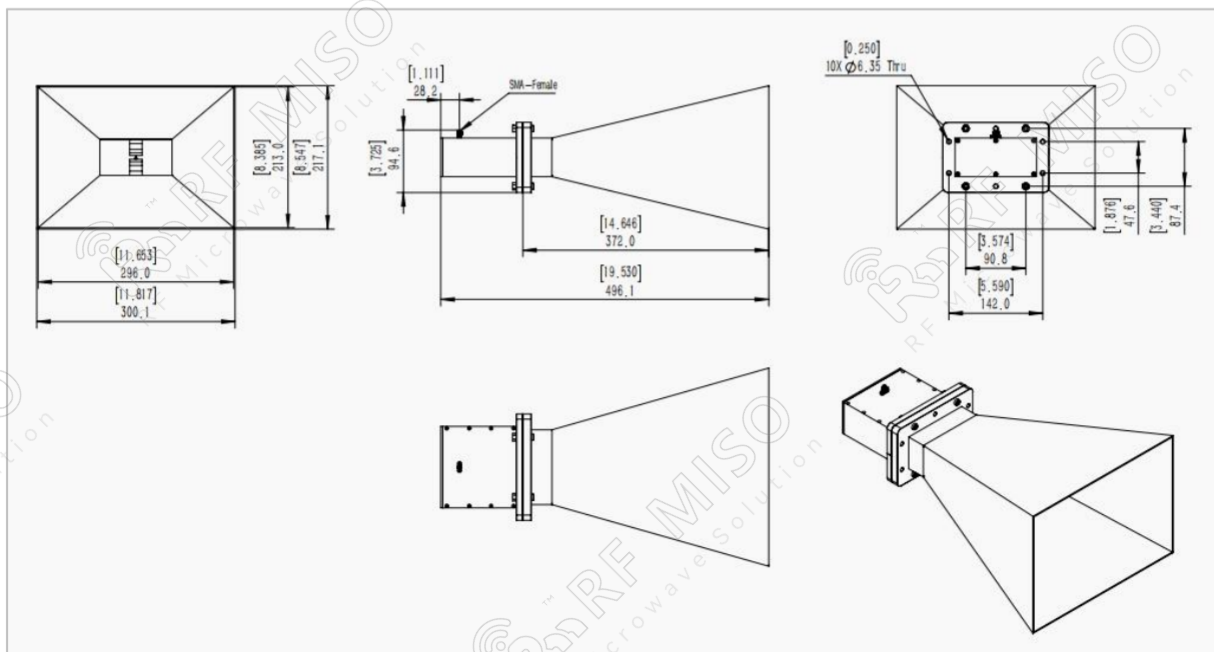
**RM-SGHA430-15**

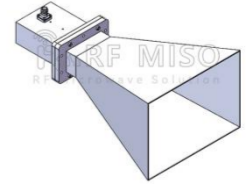
**F-Type Mechanical Drawing (P/N: RM-SGHA430-15F)**



**C-Type Mechanical Drawing (P/N: RM-SGHA430-15C)**

SMA connector is available, please contact RF Miso.



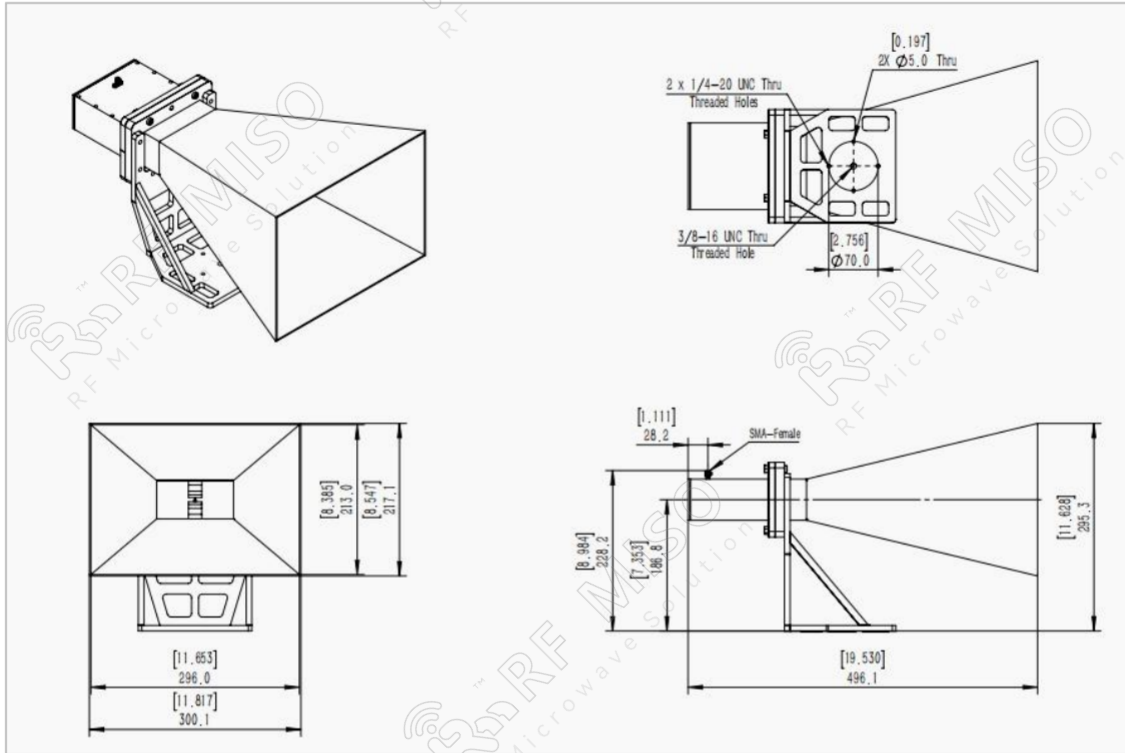


Standard Gain Horn Antenna  
15dBi Typ. Gain, 1.70-2.60 GHz Frequency Range

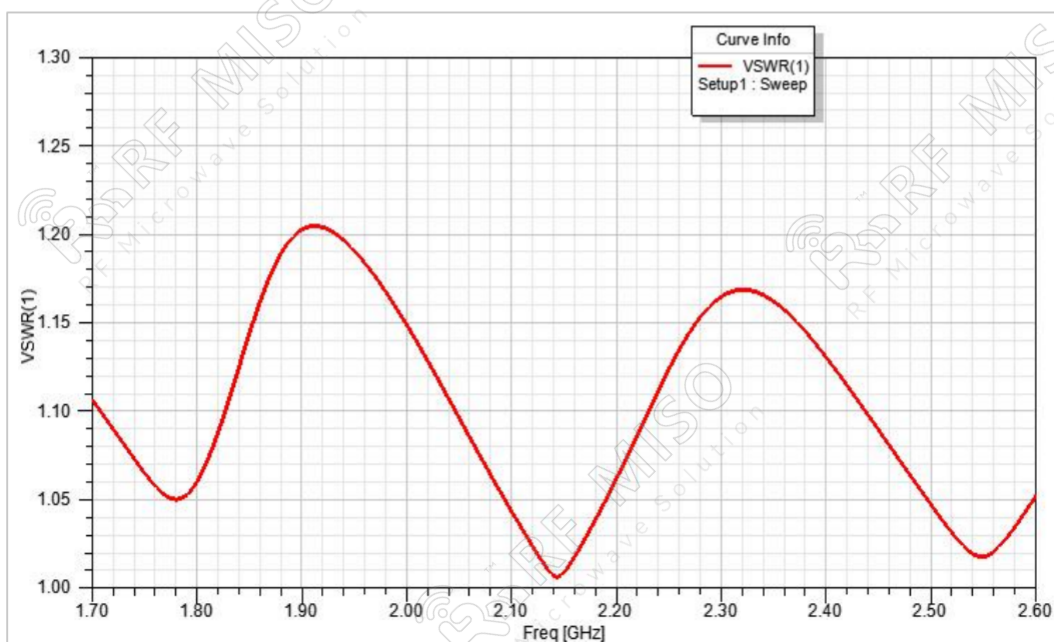
**Standard Gain Horn Antenna Data Sheet**

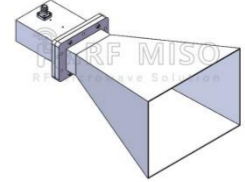
**RM-SGHA430-15**

**Mechanical Drawing with Ordinary L-type Mounting Bracket (P/N: RM-SGHA430-15CL)**



**VSWR**



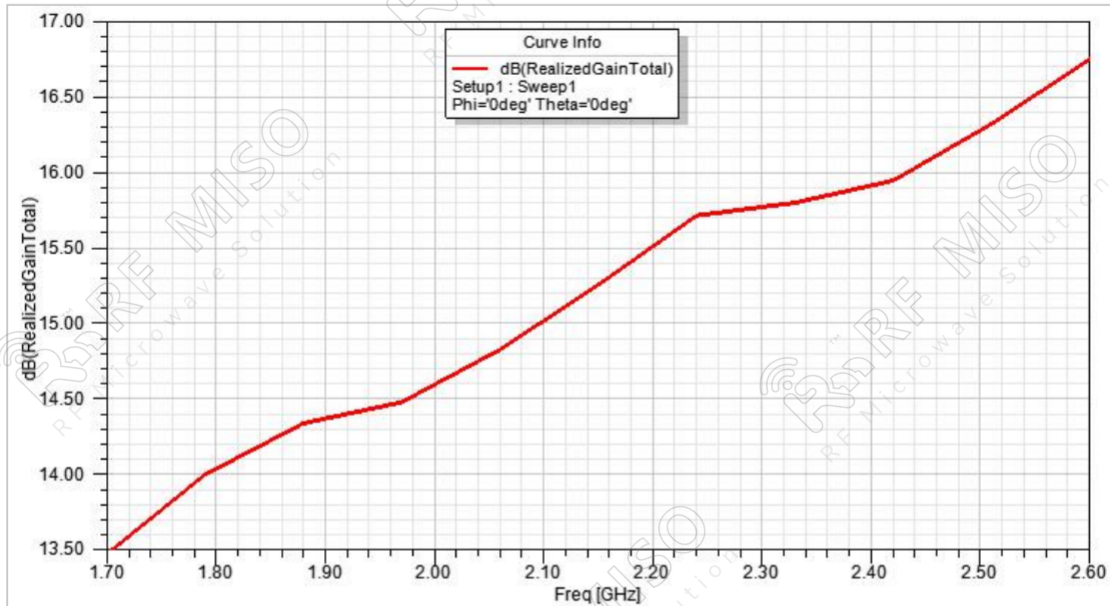


Standard Gain Horn Antenna  
15dBi Typ. Gain, 1.70-2.60 GHz Frequency Range

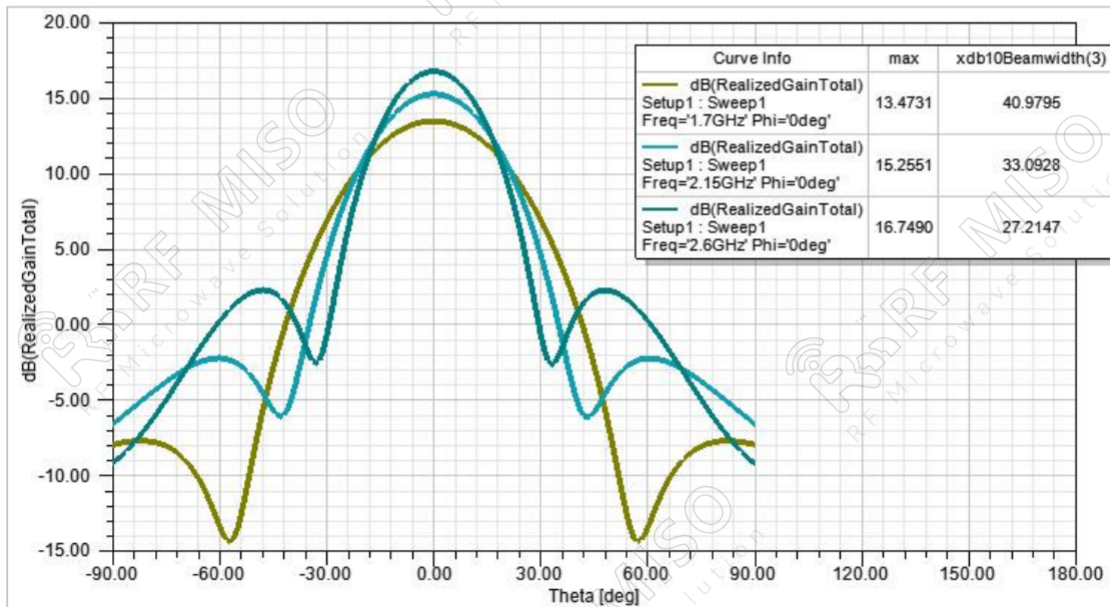
**Standard Gain Horn Antenna Data Sheet**

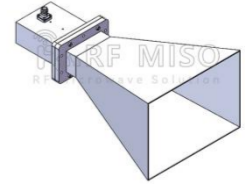
**RM-SGHA430-15**

**Gain**



**Gain Pattern E-plane**



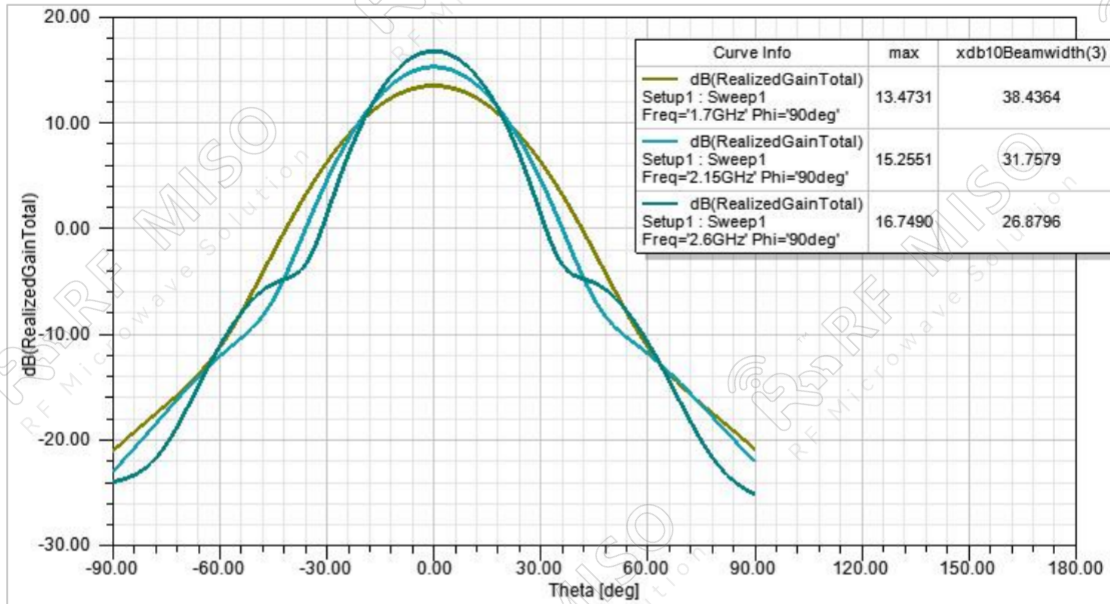


Standard Gain Horn Antenna  
15dBi Typ. Gain, 1.70-2.60 GHz Frequency Range

**Standard Gain Horn Antenna Data Sheet**

**RM-SGHA430-15**

Gain Pattern H-plane



Note:

- If the data presented is simulated. Actual data may vary unit to unit, slightly.
- Any foreign objects in the wave-guide will cause performance degradation and possible device damage.
- We can customize antennas according to your specific needs.