

*Standard Gain Horn Antenna*  
*10dBi Typ. Gain, 9.84-15 GHz Frequency Range*

**Standard Gain Horn Antenna Data Sheet**

**RM-SGHA75-10**

**Features**

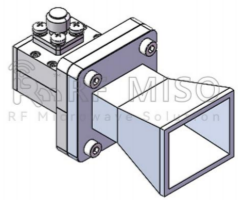
- Wave-guide and Connector Interface
- Low Side-lobe
- Linear Polarization
- High Return Loss

**Descriptions**

RF MISO's **Model RM-SGHA75-10** is a linear polarized standard gain horn antenna that operates from 9.84 to 15 GHz. The antenna offers a typical gain of 10 dBi and low VSWR 1.3:1. The antenna has a typical 3dB beamwidth of 51.6 degrees on the E plane and 52.1 degrees on H plane. This antenna has flange input and coaxial input for customers to rotate. Antenna mounting brackets include ordinary L-type mounting bracket and rotating L-type bracket<sup>①</sup>

**Specifications**

Parameters	Specification		Unit
Frequency Range	9.84-15		GHz
Wave-guide	WR75		
Gain	10 Typ.		dBi
VSWR	1.3 Typ.		
Polarization	Linear		
3 dB Beamwidth, E-Plane	51.6° Typ.		
3 dB Beamwidth, H-Plane	52.1° Typ.		
Interface	FBP120(F Type)	SMA-KFD(C Type)	
Material	Al		
Finishing	Paint		
C Type Size (L*W*H)	75.8*38*39.3 (±5)		mm
Weight	0.038(F Type)	0.081(C Type)	kg
C Type Average Power	50		W
C Type Peak Power	3000		W
Operating Temperature	-40° ~+85°		° C

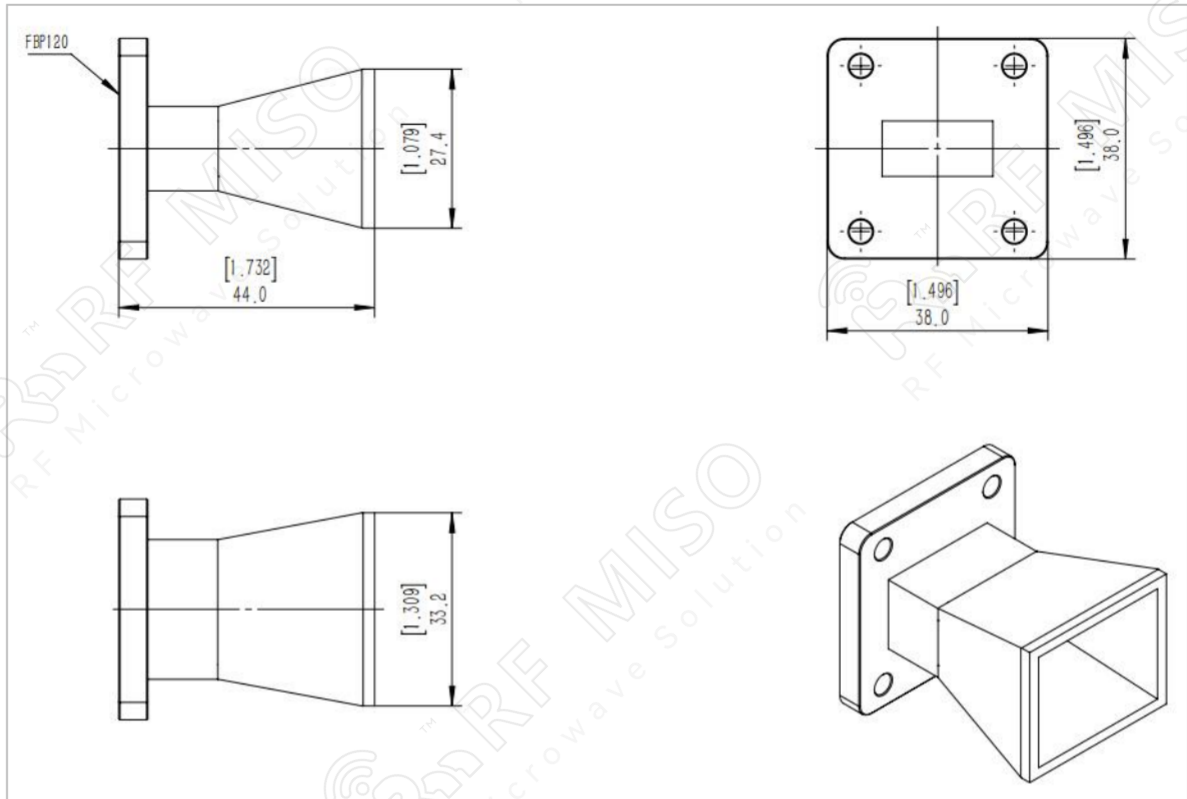


Standard Gain Horn Antenna  
10dBi Typ. Gain, 9.84-15 GHz Frequency Range

**Standard Gain Horn Antenna Data Sheet**

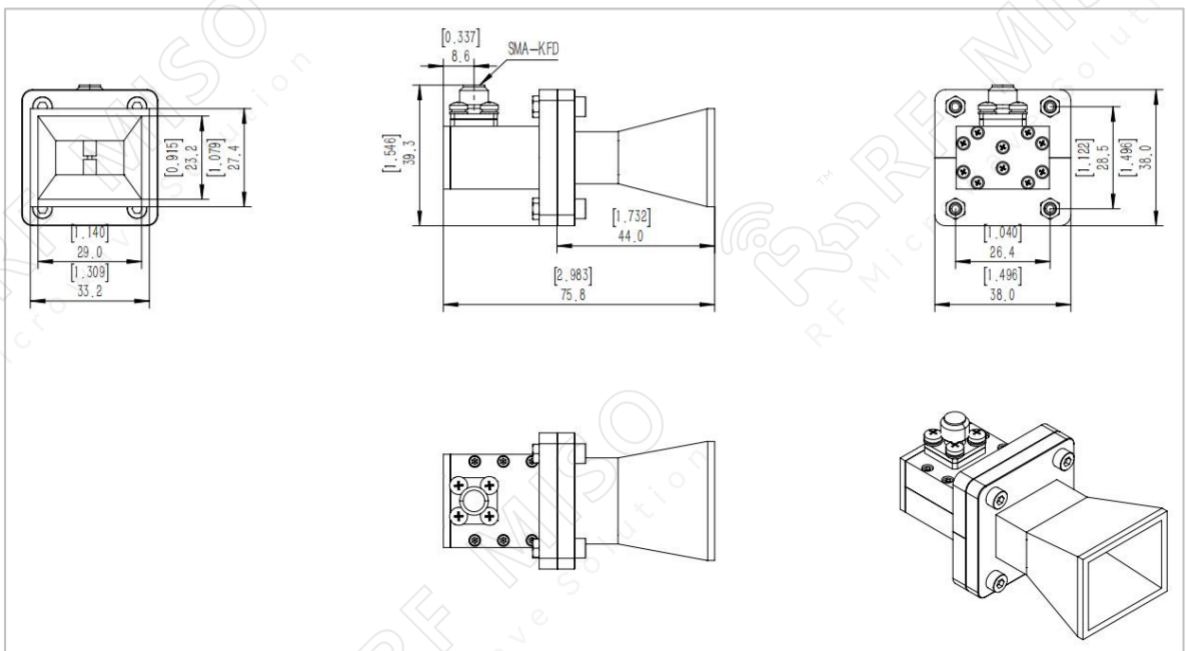
**RM-SGHA75-10**

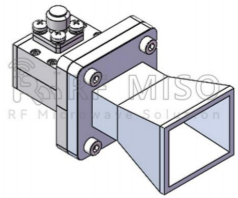
**F-Type Mechanical Drawing (P/N: RM-SGHA75-10F)**



**C-Type Mechanical Drawing (P/N: RM-SGHA75-10C)**

N-type connector is available, please contact RF Miso.



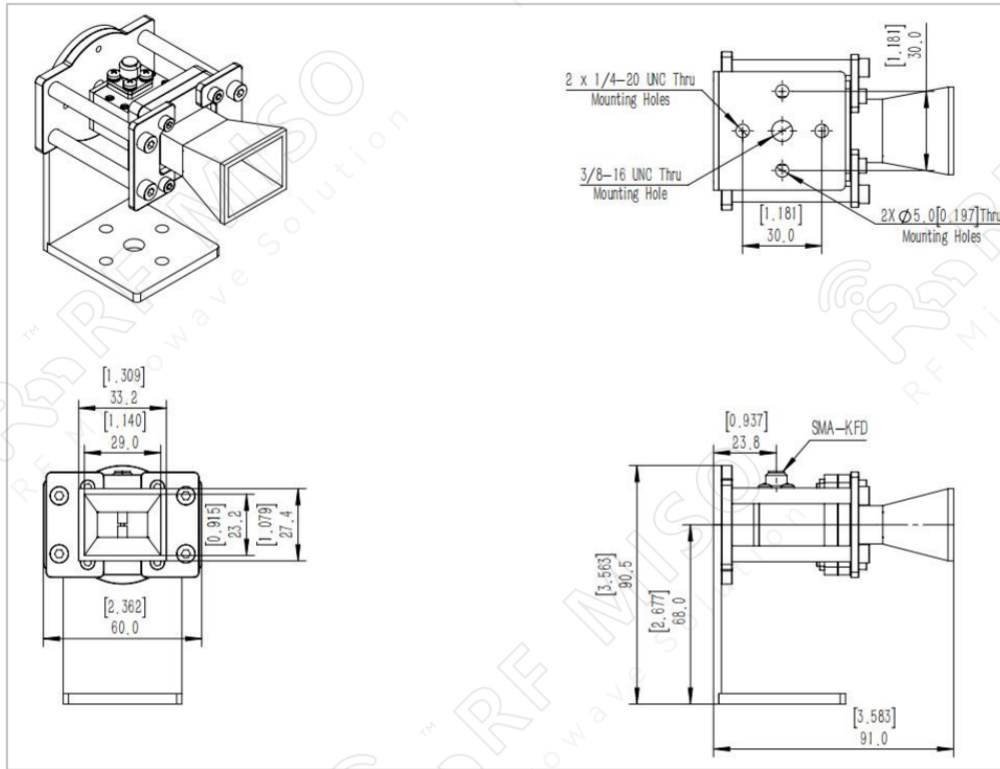


Standard Gain Horn Antenna  
10dBi Typ. Gain, 9.84-15 GHz Frequency Range

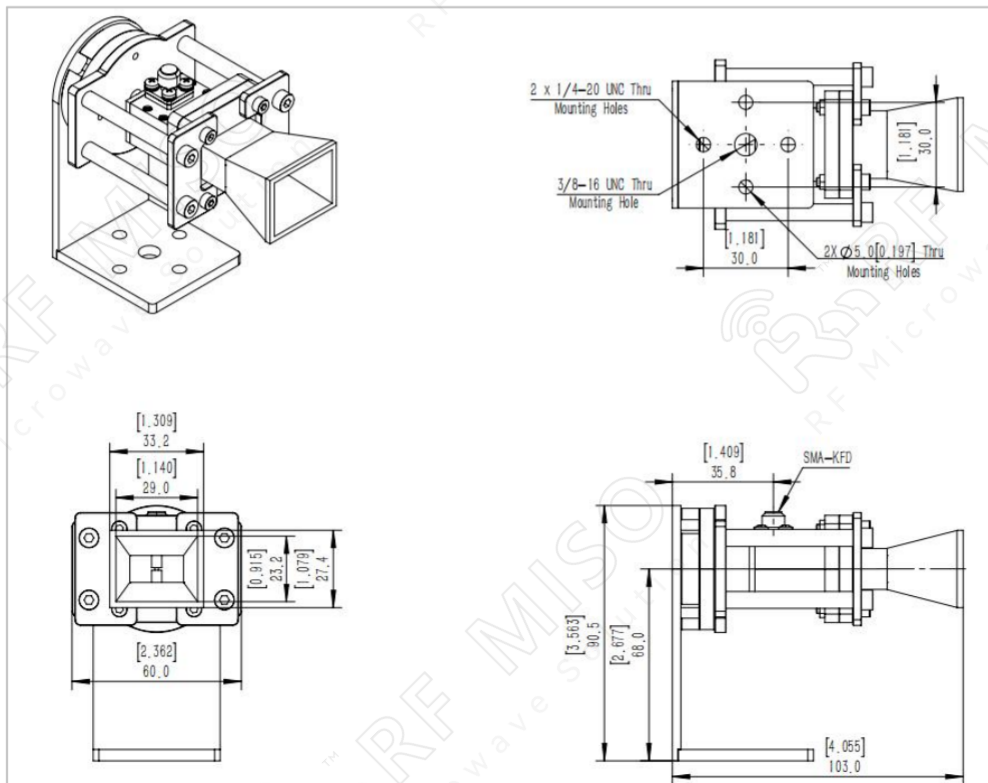
**Standard Gain Horn Antenna Data Sheet**

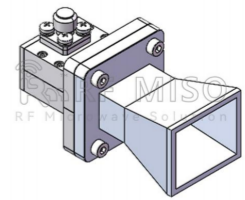
**RM-SGHA75-10**

**D-Mechanical Drawing with Ordinary L-type Mounting Bracket (P/N: RM-SGHA75-10CL)**



**E-Mechanical Drawing with Rotating L-type Mounting Bracket (P/N: RM-SGHA75-10CR)**



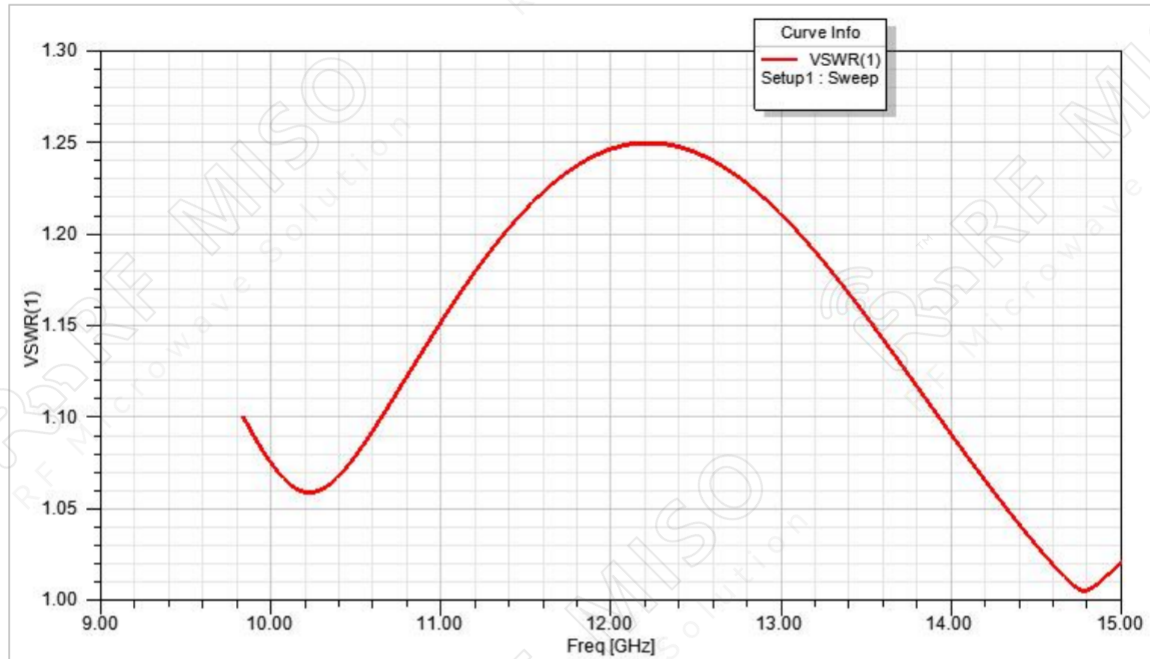


Standard Gain Horn Antenna  
10dBi Typ. Gain, 9.84-15 GHz Frequency Range

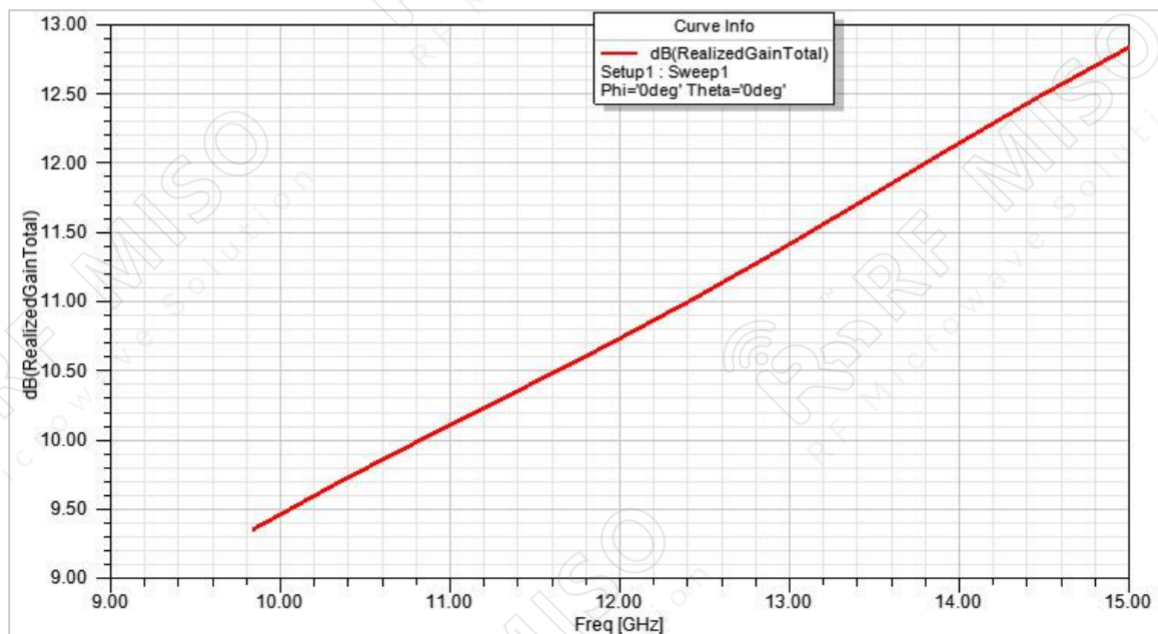
**Standard Gain Horn Antenna Data Sheet**

**RM-SGHA75-10**

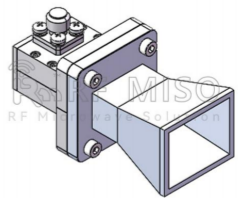
**VSWR**



**Gain**





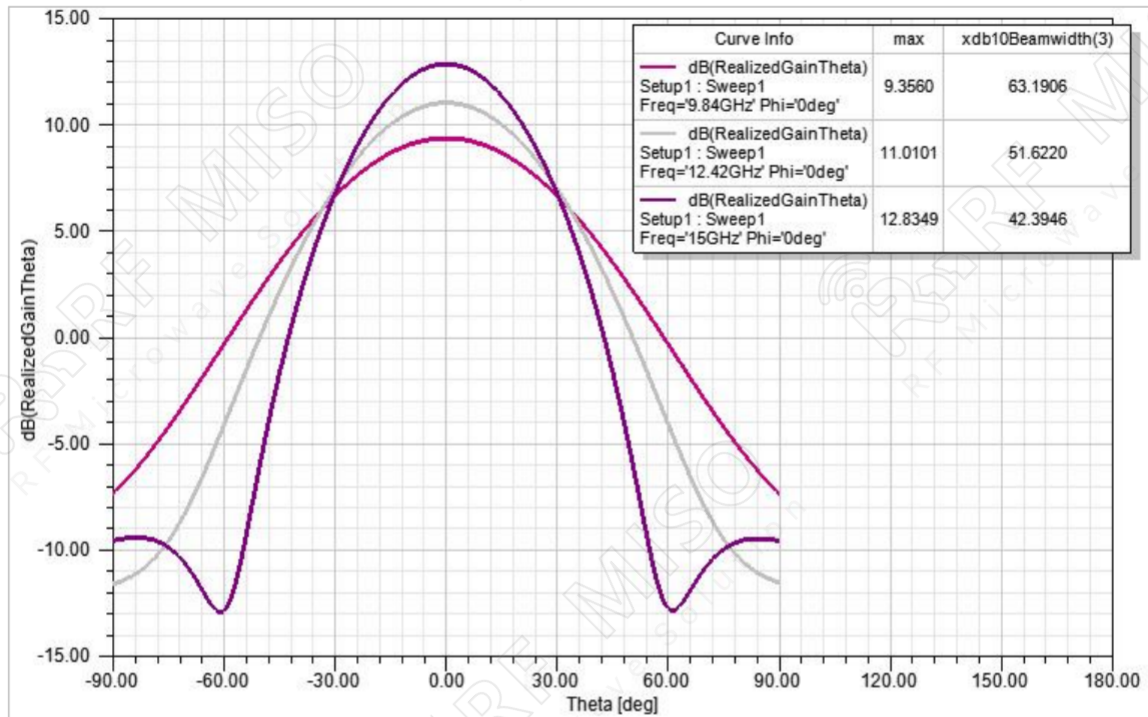


Standard Gain Horn Antenna  
10dBi Typ. Gain, 9.84-15 GHz Frequency Range

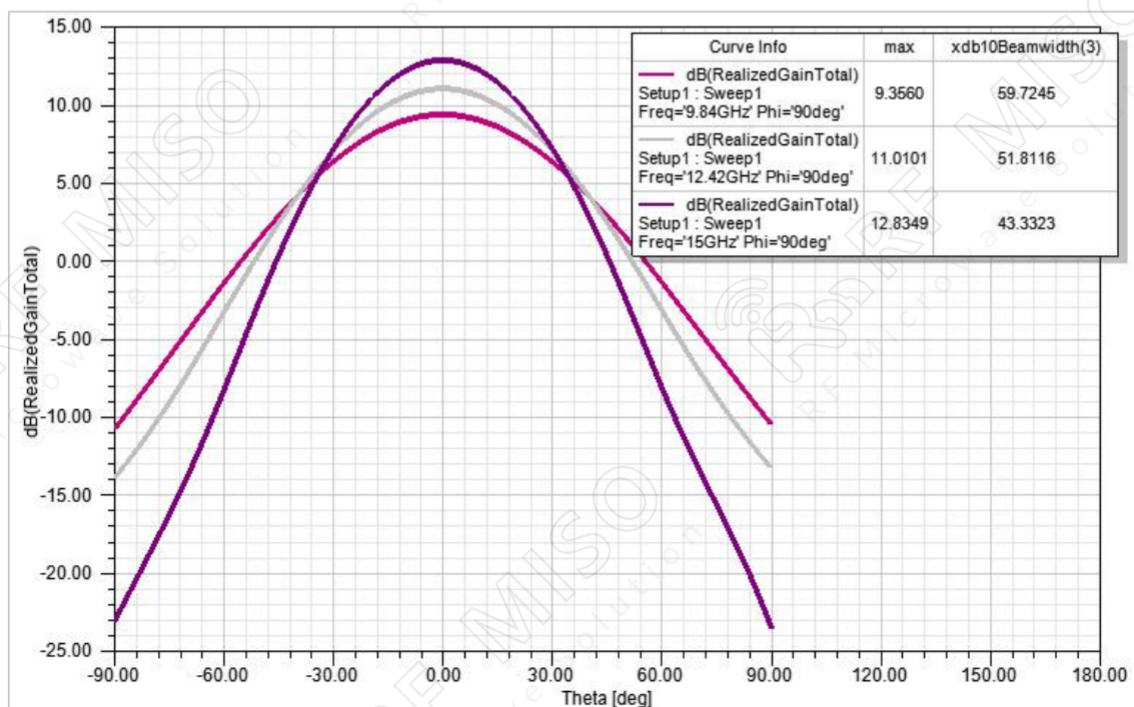
**Standard Gain Horn Antenna Data Sheet**

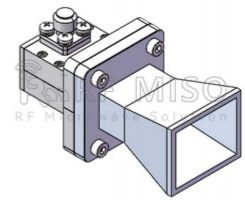
**RM-SGHA75-10**

**Gain Pattern E-plane**



**Gain Pattern H-plane**





*Standard Gain Horn Antenna*  
*10dBi Typ. Gain, 9.84-15 GHz Frequency Range*

## Standard Gain Horn Antenna Data Sheet

**RM-SGHA75-10**

① **Rotating L-type bracket:** The rotating bracket is used for antenna polarization adjustment, and the tooling integrated with the bracket can precisely adjust the polarization directions of  $0^\circ$ ,  $45^\circ$ , and  $90^\circ$  to ensure the accuracy and consistency of the calibration results.

Note:

- If the data presented is simulated. Actual data may vary unit to unit, slightly.
- Any foreign objects in the wave-guide will cause performance degradation and possible device damage.
- We can customize antennas according to your specific needs.