

Standard Gain Horn Antenna  
15dBi Typ. Gain, 8.2-12.5 GHz Frequency Range

## Standard Gain Horn Antenna Data Sheet

**RM-SGHA90-15**

### Features

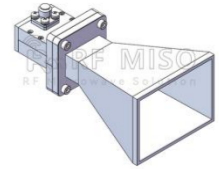
- Wave-guide and Connector Interface
- Low Side-lobe
- Linear Polarization
- High Return Loss

### Descriptions

RF MISO's **Model RM-SGHA90-15** is a linear polarized standard gain horn antenna that operates from 8.2 to 12.5 GHz. The antenna offers a typical gain of 15 dBi and low VSWR 1.3:1. The antenna has a typical 3dB beamwidth of 32 degrees on the E plane and 31 degrees on H plane. This antenna has flange input and coaxial input for customers to rotate. Antenna mounting brackets include ordinary L-type mounting bracket and rotating L-type bracket①

### Specifications

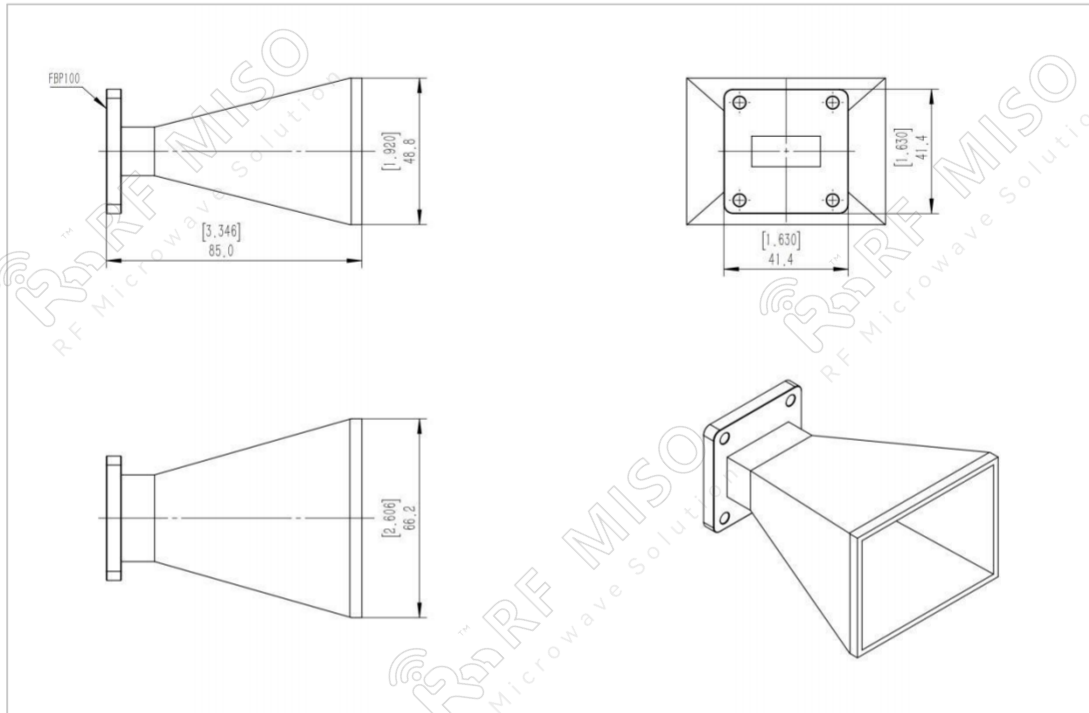
Parameters	Specification		Unit
Frequency Range	8.2-12.5		GHz
Wave-guide	WR90		
Gain	15 Typ.		dBi
VSWR	1.3 Typ.		
Polarization	Linear		
3 dB Beamwidth, E-Plane	32 ° Typ.		
3 dB Beamwidth, H-Plane	31° Typ.		
Interface	FBP100(F Type)	SMA-Female(C Type)	
Material	Al		
Finishing	Paint		
Size,C Type (L*W*H)	114.3*64.2*46.8 (±5)		mm
Weight	0.113(F Type)	0.145(C Type)	kg
C Type Average Power	50		w
C Type Peak Power	3000		w
Operating Temperature	-40° ~+85°		° C



**Standard Gain Horn Antenna Data Sheet**

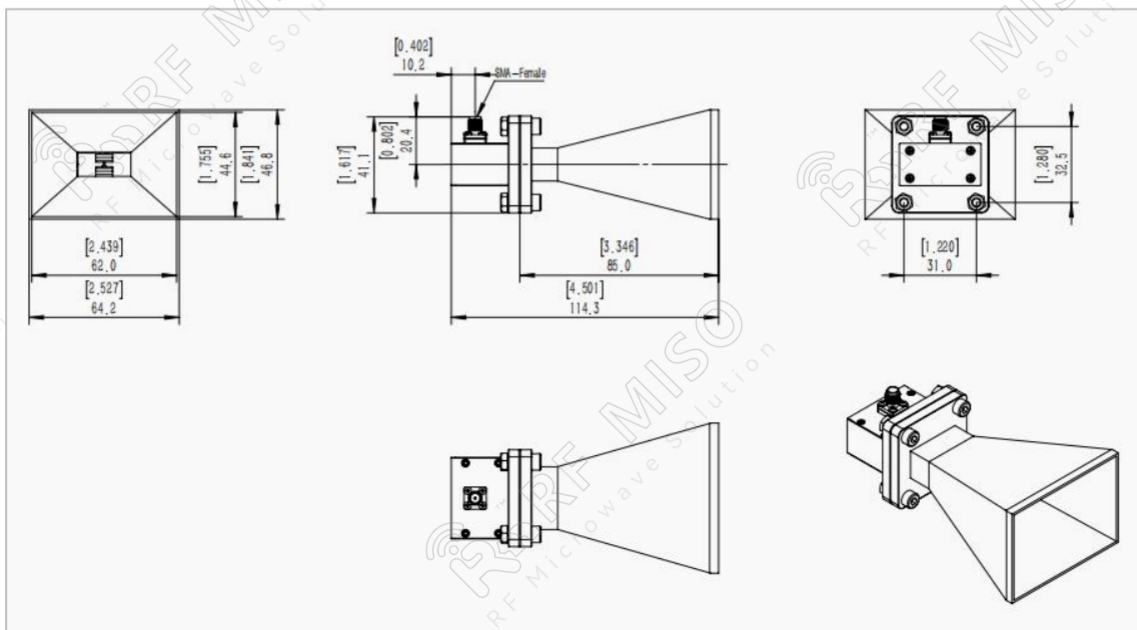
**RM-SGHA90-15**

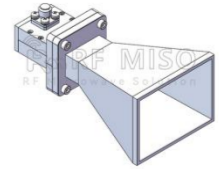
**F-Type Mechanical Drawing (P/N: RM-SGHA90-15F)**



**C-Type Mechanical Drawing (P/N: RM-SGHA90-15C)**

N-type connector is available, please contact RF Miso.



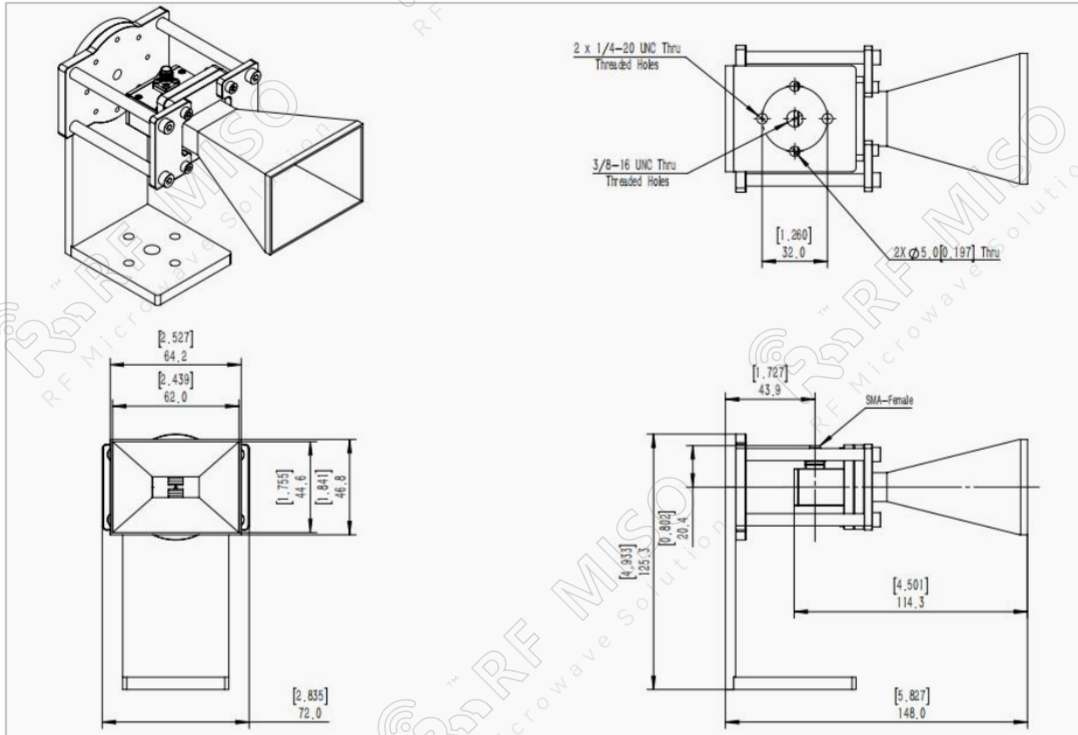


Standard Gain Horn Antenna  
15dBi Typ. Gain, 8.2-12.5 GHz Frequency Range

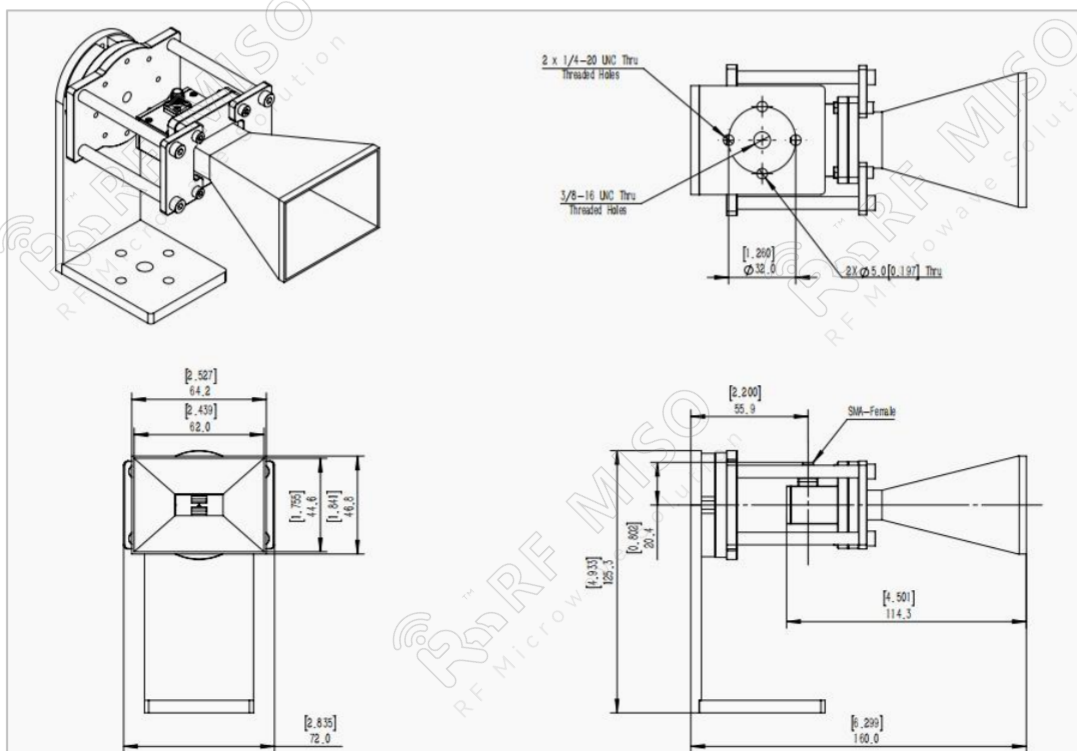
**Standard Gain Horn Antenna Data Sheet**

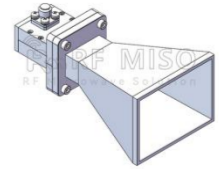
**RM-SGHA90-15**

**Mechanical Drawing with Ordinary L-type Mounting Bracket (P/N: RM-SGHA90-15CL)**



**Mechanical Drawing with Rotating L-type Mounting Bracket (P/N: RM-SGHA90-15CR)**



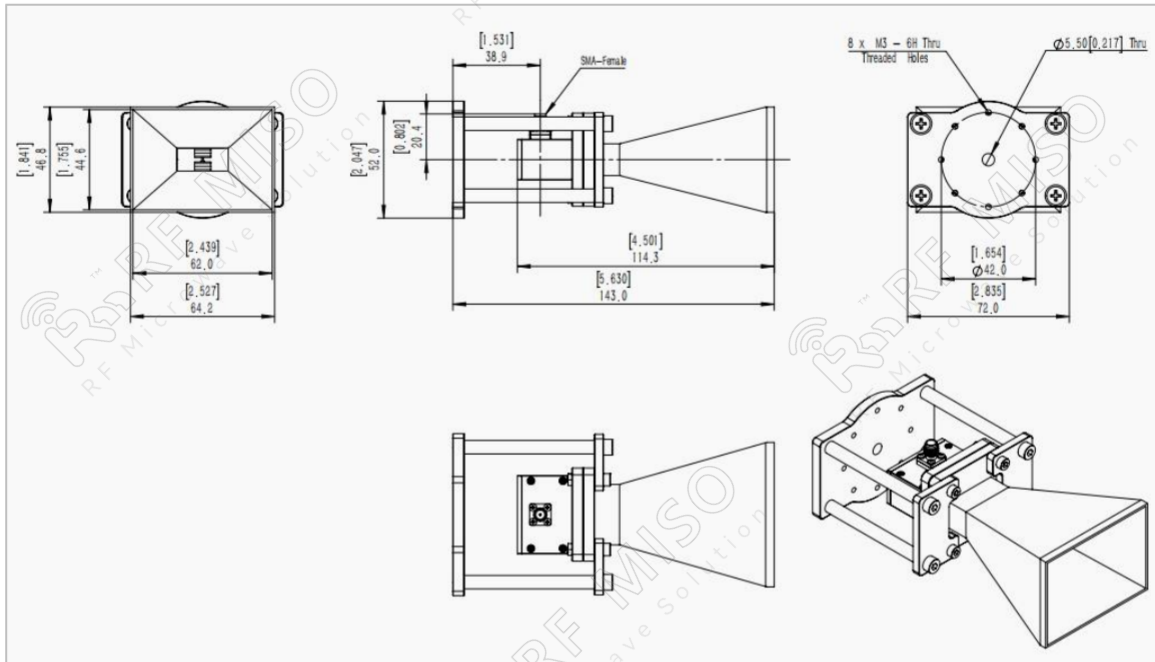


Standard Gain Horn Antenna  
15dBi Typ. Gain, 8.2-12.5 GHz Frequency Range

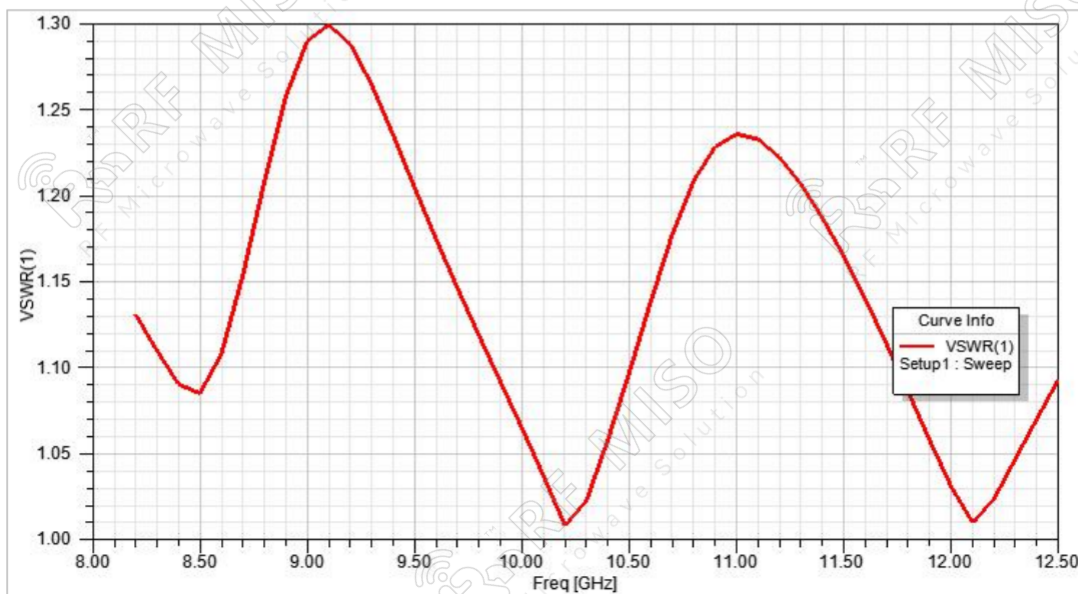
**Standard Gain Horn Antenna Data Sheet**

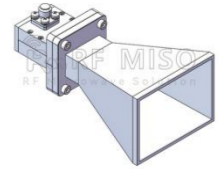
**RM-SGHA90-15**

**Mechanical Drawing with Ordinary I-type Mounting Bracket (P/N: RM-SGHA90-15CI)**



**VSWR**



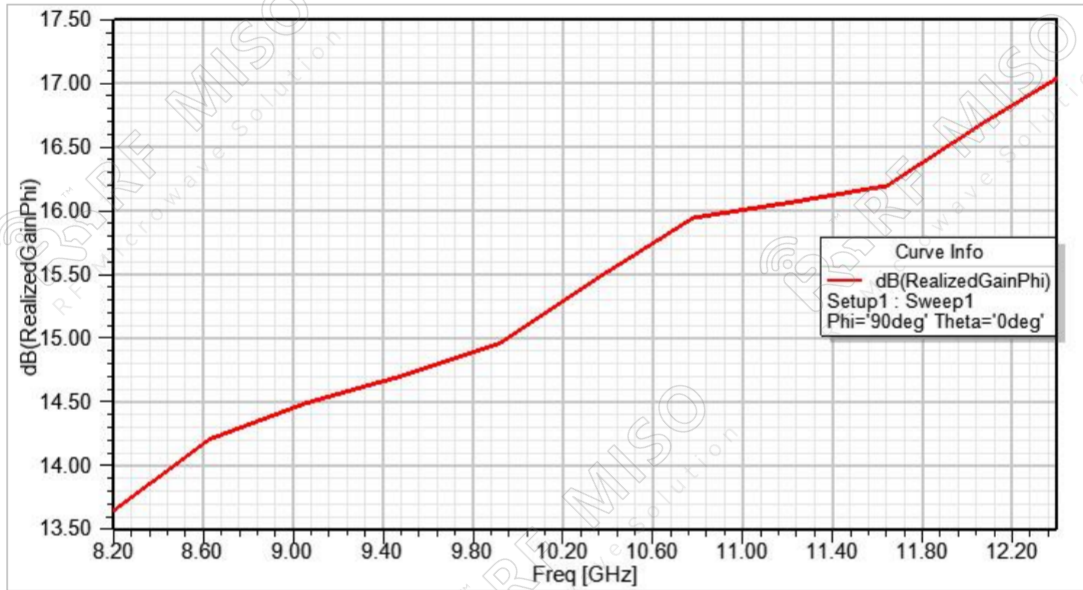


Standard Gain Horn Antenna  
15dBi Typ. Gain, 8.2-12.5 GHz Frequency Range

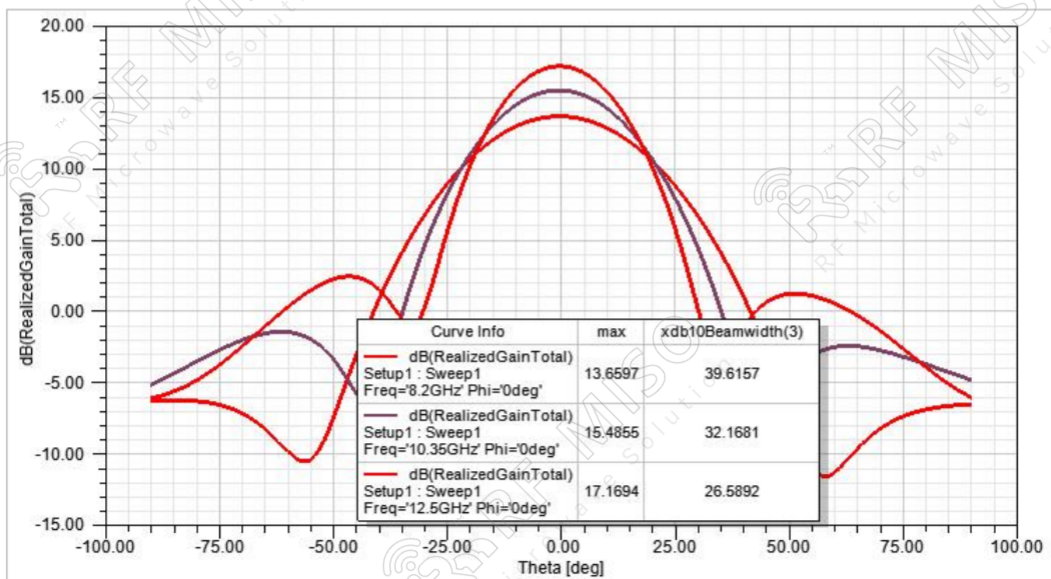
**Standard Gain Horn Antenna Data Sheet**

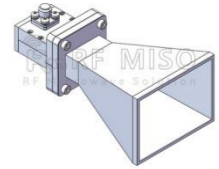
**RM-SGHA90-15**

Gain



Gain Pattern E-plane



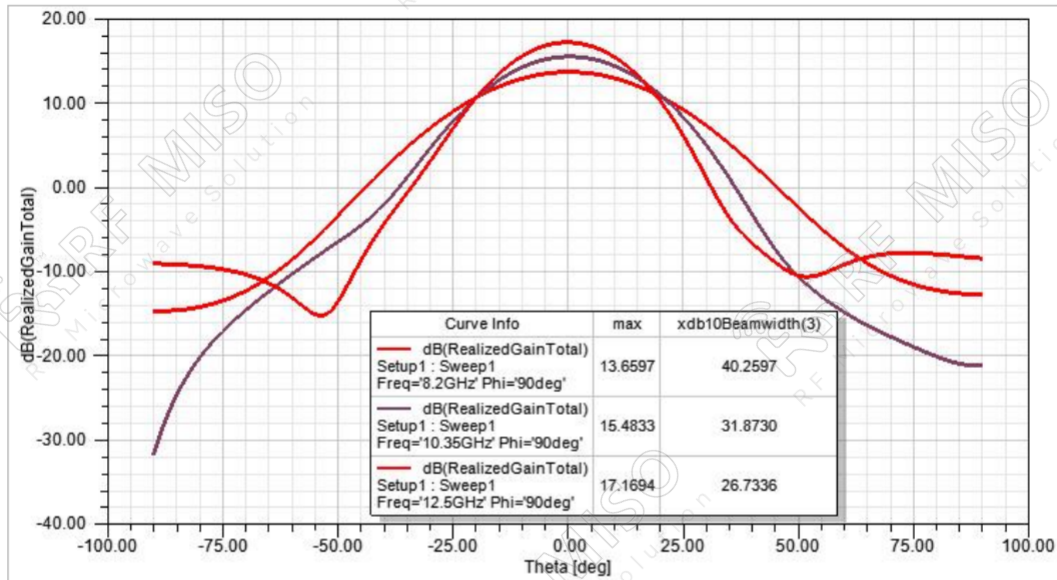


Standard Gain Horn Antenna  
15dBi Typ. Gain, 8.2-12.5 GHz Frequency Range

**Standard Gain Horn Antenna Data Sheet**

**RM-SGHA90-15**

**Gain Pattern H-plane**



① **Rotating L-type bracket:** The rotating bracket is used for antenna polarization adjustment, and the tooling integrated with the bracket can precisely adjust the polarization directions of 0°, 45°, and 90° to ensure the accuracy and consistency of the calibration results.

Note:

- If the data presented is simulated. Actual data may vary unit to unit, slightly.
- Any foreign objects in the wave-guide will cause performance degradation and possible device damage.
- We can customize antennas according to your specific needs.