

Standard Gain Horn Antenna
25dBi Typ. Gain, 8.2-12.5 GHz Frequency Range

Standard Gain Horn Antenna Data Sheet

RM-SGHA90-25

Features

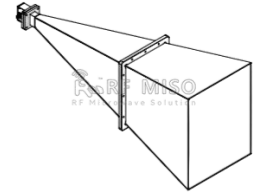
- Wave-guide and Connector Interface
- Low Side-lobe
- Linear Polarization
- High Return Loss

Descriptions

RF MISO's **Model RM-SGHA90-25** is a linear polarized standard gain horn antenna that operates from 8.2 to 12.5 GHz. The antenna offers a typical gain of 25 dBi and low VSWR 1.3:1. The antenna has a typical 3dB beamwidth of 8.7 degrees on the E plane and 9.9 degrees on H plane.

Specifications

Parameters	Specification	Unit
Frequency Range	8.2-12.5	GHz
Wave-guide	WR90	
Gain	25 Typ.	dBi
VSWR	1.3 Typ.	
Polarization	Linear	
3 dB Beamwidth, E-Plane	8.7° Typ.	
3 dB Beamwidth, H-Plane	9.9° Typ.	
Interface	SMA-Female	
Material	Al	
Finishing	Paint	
Size (L*W*H)	582*184.3*231.1 (±5)	mm
Weight	0.398	kg
Operating Temperature	-40° ~+85°	° C

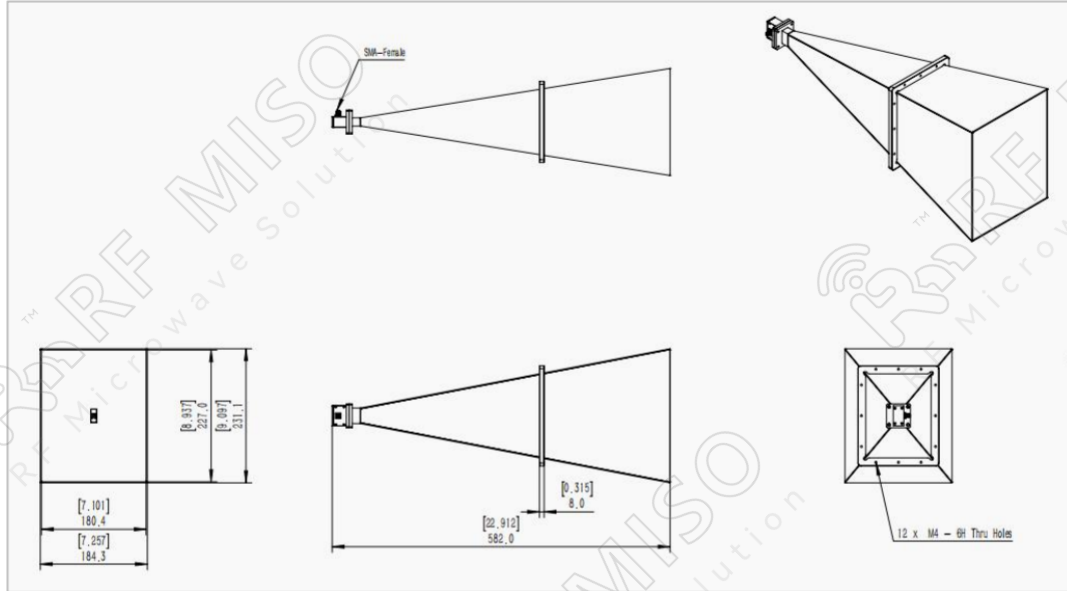


Standard Gain Horn Antenna
25dBi Typ. Gain, 8.2-12.5 GHz Frequency Range

Standard Gain Horn Antenna Data Sheet

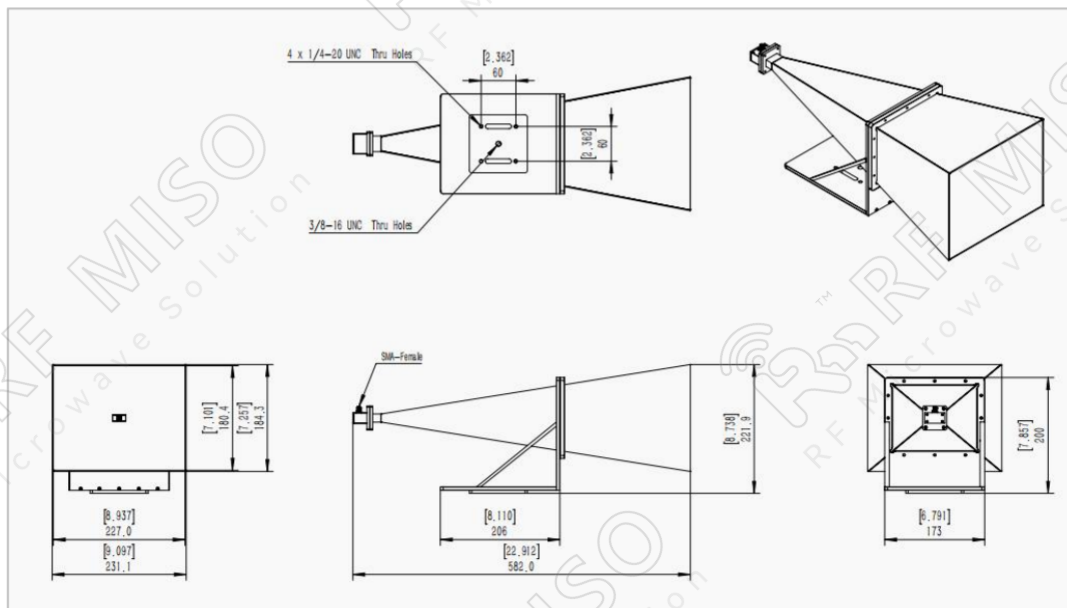
RM-SGHA90-25

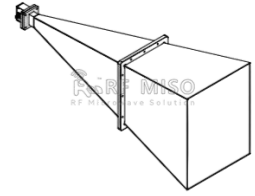
Mechanical Drawing (P/N: RM-SGHA90-25)



Mechanical Drawing with L-type Mounting Bracket(P/N: RM-SGHA90-25L)

N connector is available, please contact RF Miso.



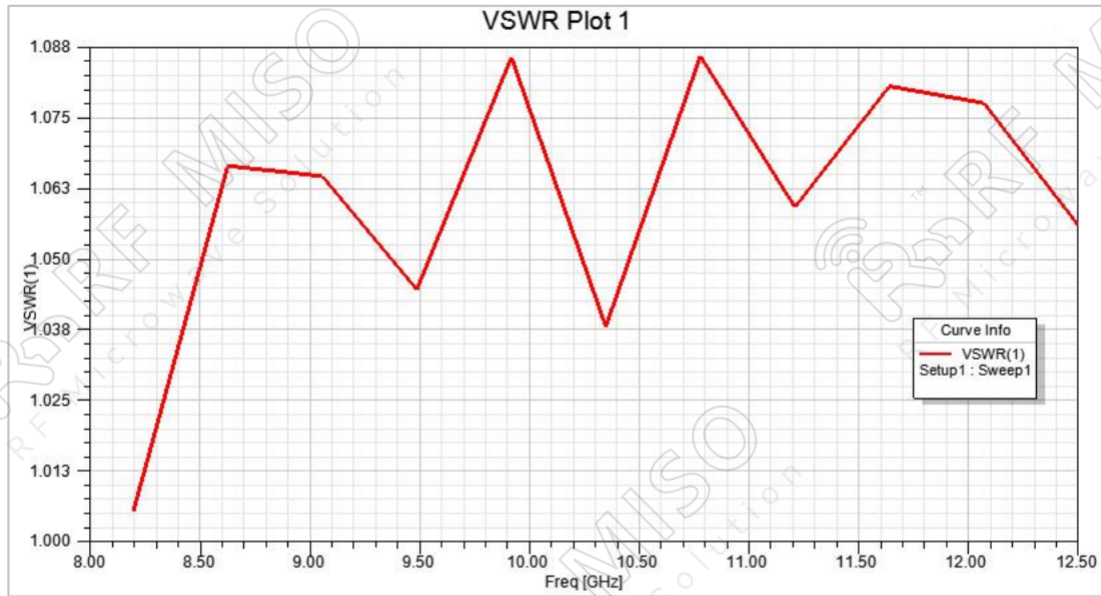


Standard Gain Horn Antenna
25dBi Typ. Gain, 8.2-12.5 GHz Frequency Range

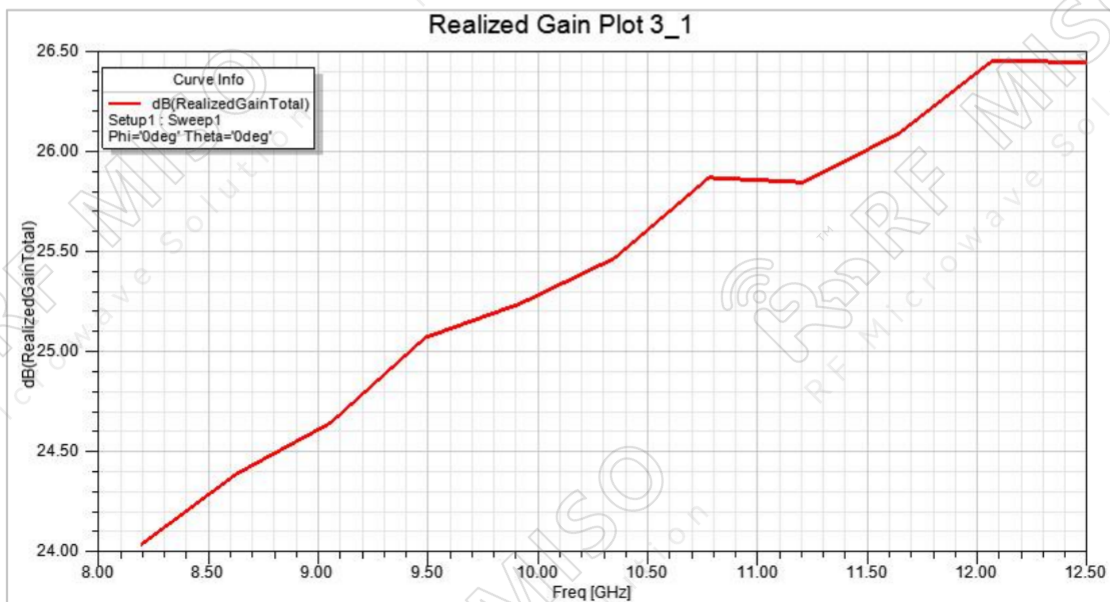
Standard Gain Horn Antenna Data Sheet

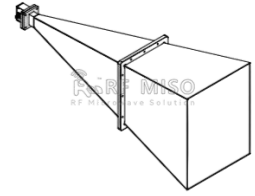
RM-SGHA90-25

VSWR



Gain

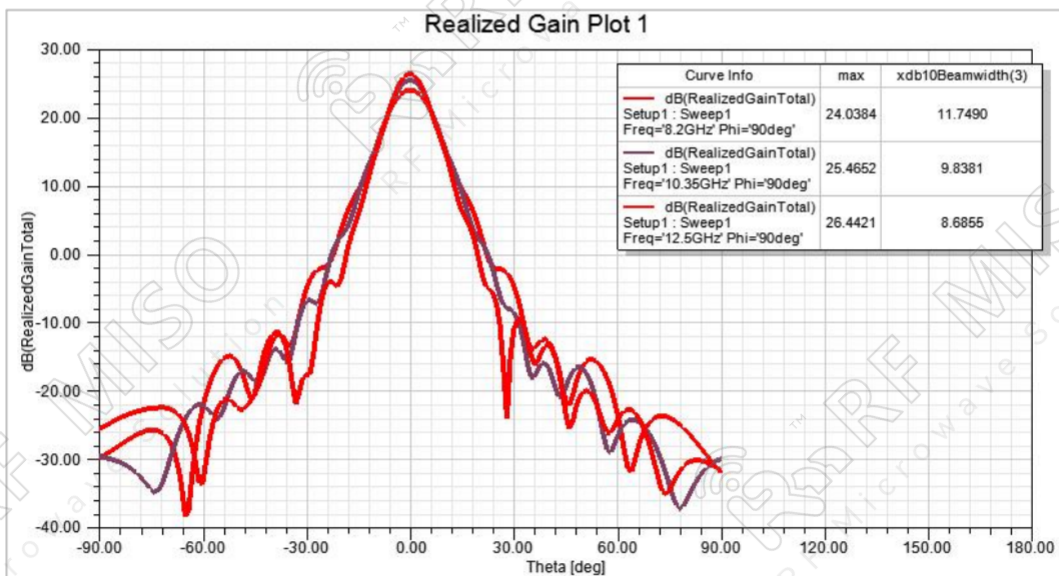
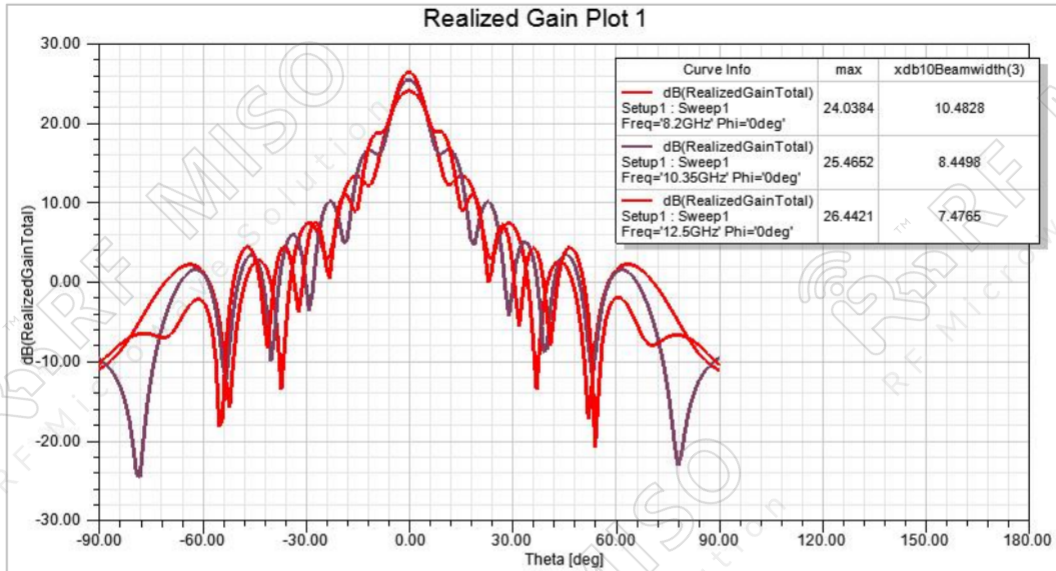




Standard Gain Horn Antenna
25dBi Typ. Gain, 8.2-12.5 GHz Frequency Range

Standard Gain Horn Antenna Data Sheet

RM-SGHA90-25



Note:

- If the data presented is simulated. Actual data may vary unit to unit, slightly.
- Any foreign objects in the wave-guide will cause performance degradation and possible device damage.
- We can customize antennas according to your specific needs.