

Slotted Waveguide Antenna
22dBi Typ. Gain, 9-10GHz Frequency Range



Slot Waveguide Antenna Data Sheet

RM-SWA910-22

Features

- Ideal for Communication and Radar
- Low VSWR
- Small Size
- High Gain
- Linear Polarization
- Light Weight

Specifications

RM-SWA910-22		
Parameters	Typical	Units
Frequency Range	9-10	GHz
Gain	22 Typ.	dBi
VSWR	2 Typ.	
Polarization	Linear	
3dB Bandwidth	E Plane: 27.8	°
	H Plane: 6.2	
Connector	SMA-F	
Material	Al	
Treatment	Conductive Oxide	
Size	260*89*20	mm
Weight	0.15	Kg
Power	10 peak	W
	5 average	

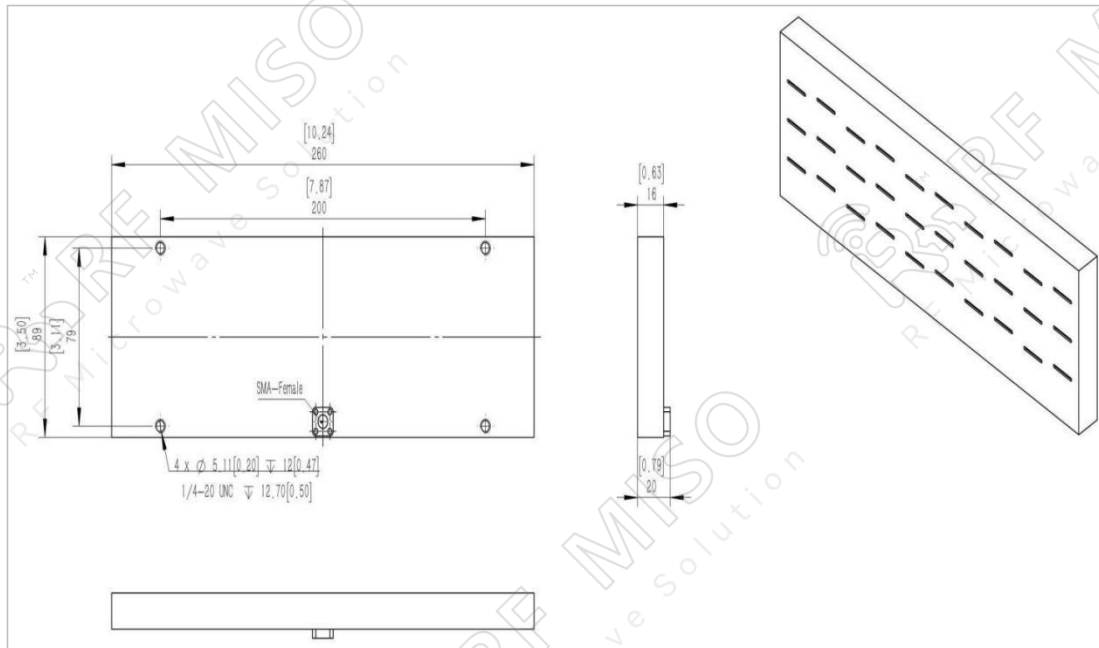
Slotted Waveguide Antenna
22dBi Typ. Gain, 9-10GHz Frequency Range



Slot Waveguide Antenna Data Sheet

RM-SWA910-22

Outline Drawing



Test Result

VSWR



Slotted Waveguide Antenna
22dBi Typ. Gain, 9-10GHz Frequency Range



Slot Waveguide Antenna Data Sheet

RM-SWA910-22

Gain Patterns @ 9.4GHz, Gain=22.3dBi

Gain Patterns @9.5GHz, Gain=22.53dBi

Gain Patterns @9.6GHz, Gain=22.42dBi

