

*Sectoral Waveguide Horn Antenna
26.5-40GHz Frequency Range, Gain 10dBi Typ.*

Sectoral Waveguide Horn Antenna Data Sheet

RM-SWHA28-10

Specifications

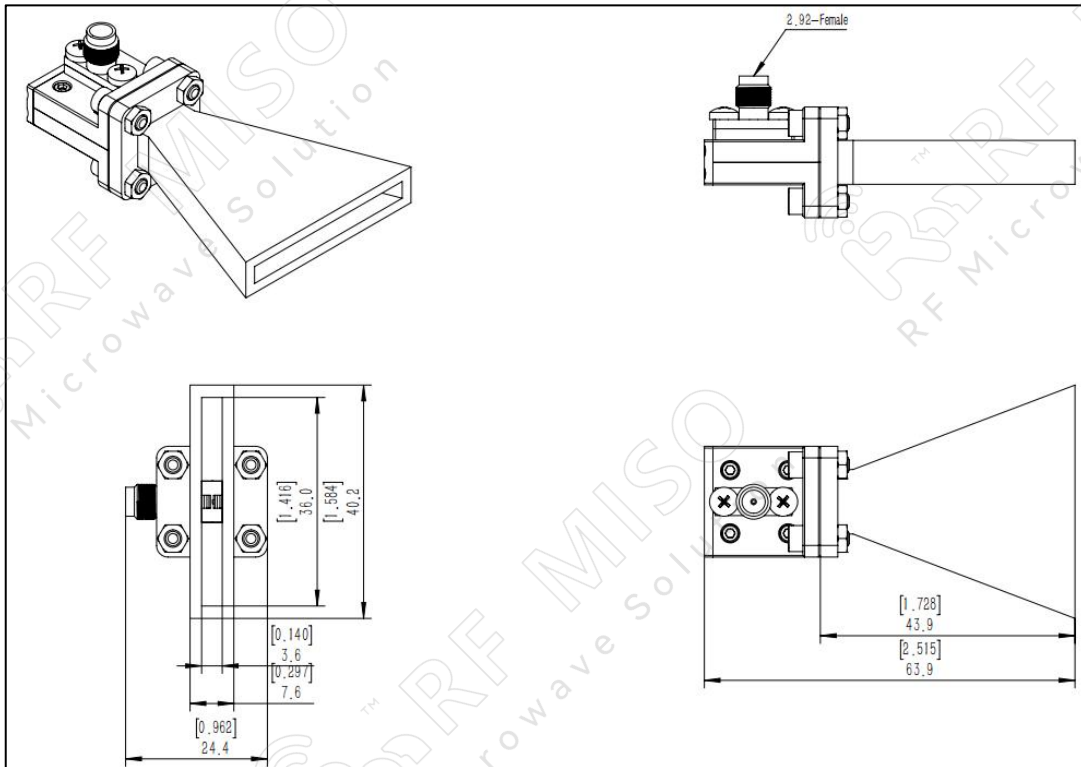
RM-SWHA28-10		
Parameters	Specification	Unit
Frequency Range	26.5-40	GHz
Wave-guide	WR28	
Gain	10 Typ.	dBi
VSWR	1.2 Typ.	
Polarization	Linear	
Interface	2.92-Female	
Material	Al	
Finishing	Paint	
Size	63.9*40.2*24.4	mm
Weight	0.026	kg

Sectoral Waveguide Horn Antenna
26.5-40GHz Frequency Range, Gain 10dBi Typ.

Sectoral Waveguide Horn Antenna Data Sheet

RM-SWHA28-10

Outline Drawing



Simulation Results

Gain

