

## Trihedral Corner Reflector Data Sheet

**RM-TCR406.4**

### Features

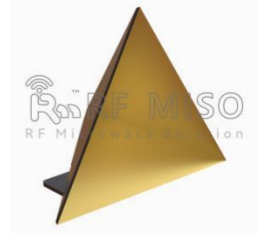
- Ideal for RCS measurement
- High fault tolerance
- Indoor and outdoor application

### Descriptions

RF MISO's **Model RM-TCR406.4** is a trihedral corner reflector, which has a robust aluminum construction that can be used to reflect radio waves directly and passively back to the transmitting source and is highly fault-tolerant. The retroreflection of the reflectors is specially designed to have high smoothness and finish in the reflection cavity, which can be widely used for RCS measurement and other applications.

### Specifications

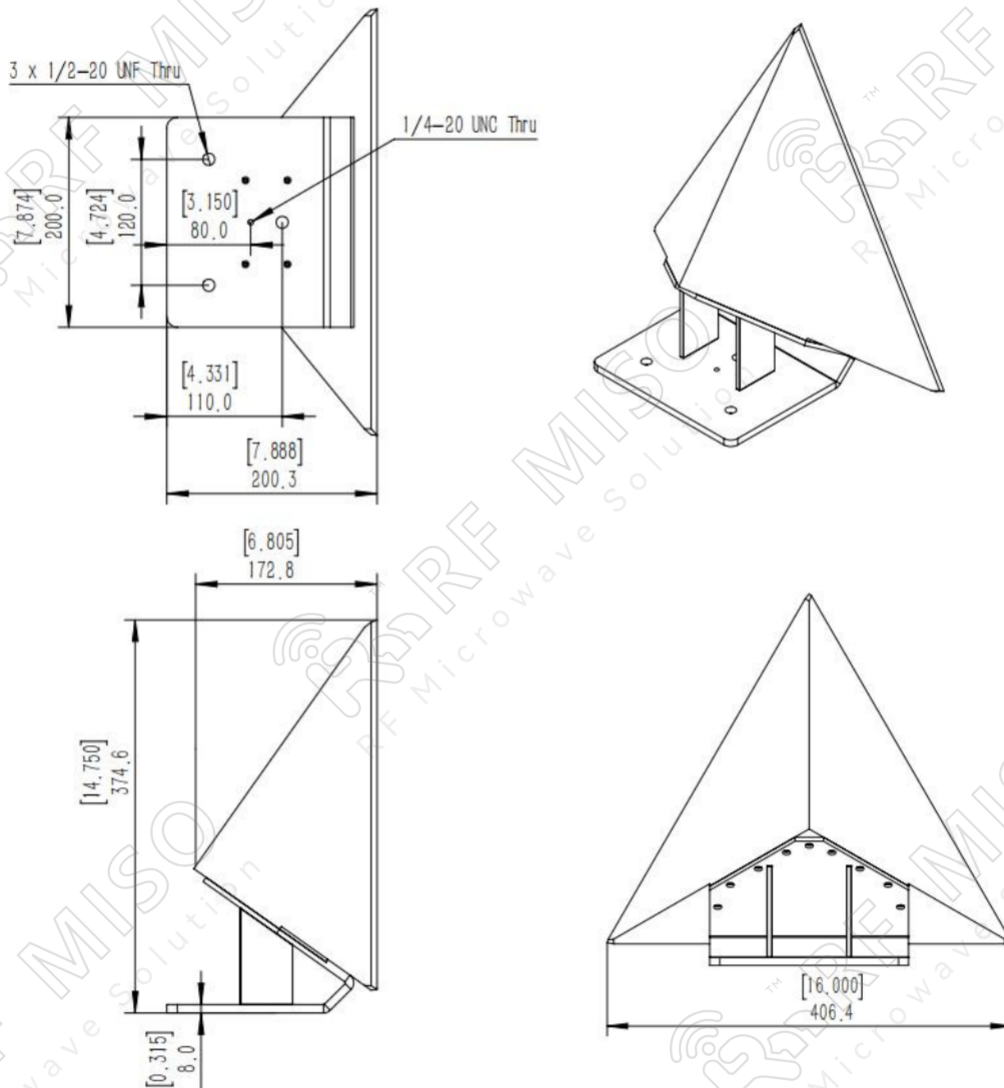
<b>RM-TCR406.4</b>		
Parameters	Specifications	Units
Edge Length	406.4	mm
Finishing	Plait	
Weight	2.814	Kg
Material	Al	

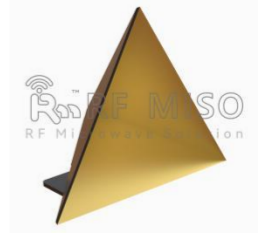


**Trihedral Corner Reflector Data Sheet**

**RM-TCR406.4**

**Outline Drawing**





**Trihedral Corner Reflector Data Sheet**

**RM-TCR406.4**

**Test Result**

