

*Trihedral Corner Reflector*

**Trihedral Corner Reflector Data Sheet**

**RM-TCR406.4**

**Features**

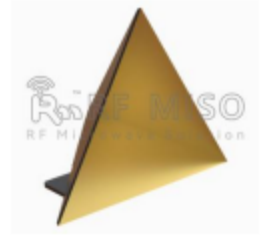
- Ideal for RCS measurement
- High fault tolerance
- Indoor and outdoor application

**Descriptions**

RF MISO's **Model RM-TCR406.4** is a trihedral corner reflector, which has a robust aluminum construction that can be used to reflect radio waves directly and passively back to the transmitting source and is highly fault-tolerant. The retroreflection of the reflectors is specially designed to have high smoothness and finish in the reflection cavity, which can be widely used for RCS measurement and other applications.

**Specifications**

<b>RM-TCR406.4</b>		
Parameters	Specifications	Units
Edge Length	406.4	mm
Finishing	Painted Black	
Weight	2.814	Kg
Material	Al	

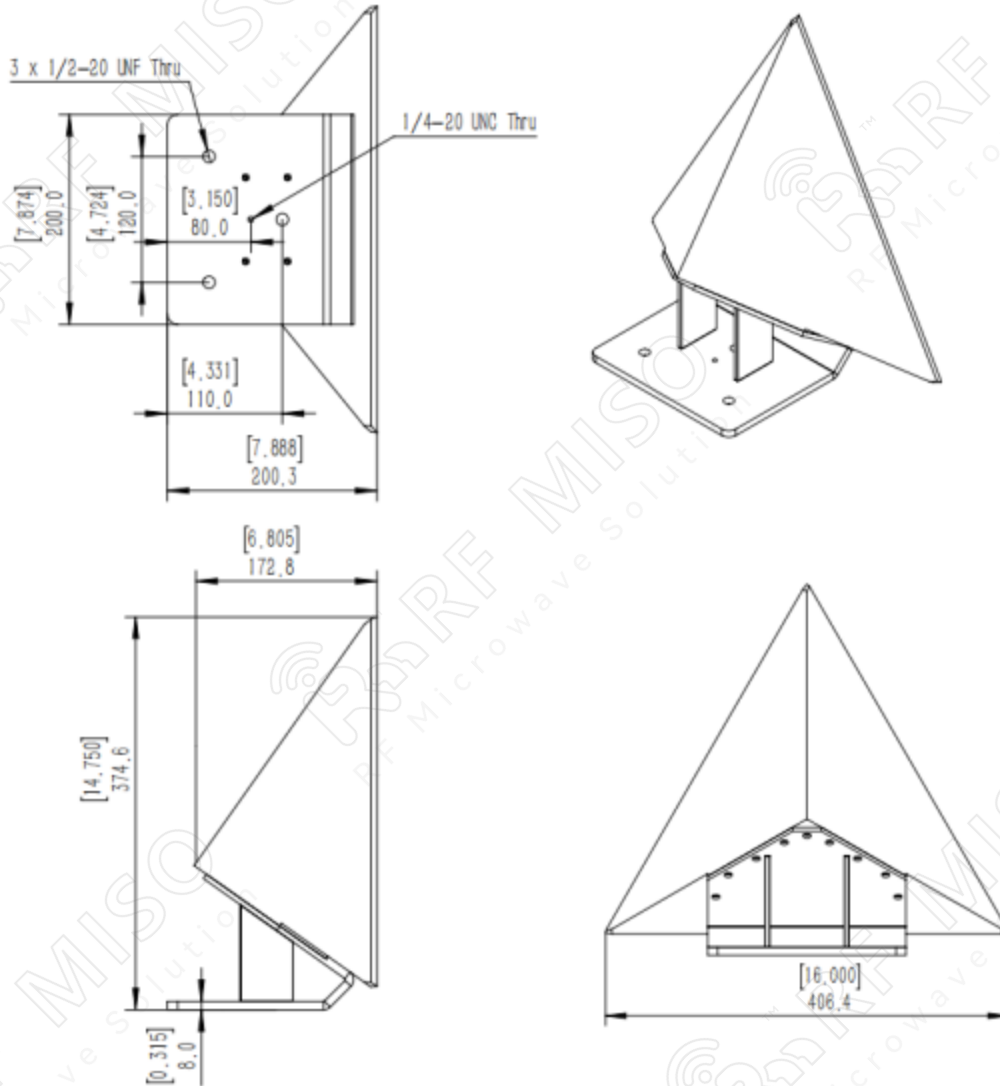


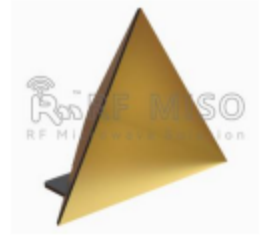
*Trihedral Corner Reflector*

**Trihedral Corner Reflector Data Sheet**

**RM-TCR406.4**

**Outline Drawing**





*Trihedral Corner Reflector*

**Trihedral Corner Reflector Data Sheet**

**RM-TCR406.4**

**Test Result**

