

Trihedral Corner Reflector Data Sheet

RM-TCR61

Features

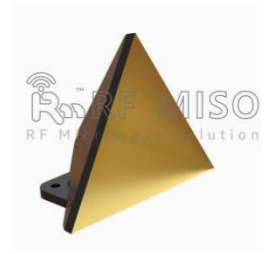
- Ideal for RCS measurement
- High fault tolerance
- Indoor and outdoor application

Descriptions

RF MISO's **Model RM-TCR61** is a trihedral corner reflector, which has a robust aluminum construction that can be used to reflect radio waves directly and passively back to the transmitting source and is highly fault-tolerant. The retroreflection of the reflectors is specially designed to have high smoothness and finish in the reflection cavity, which can be widely used for RCS measurement and other applications.

Specifications

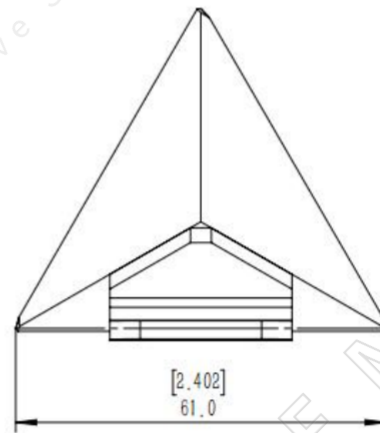
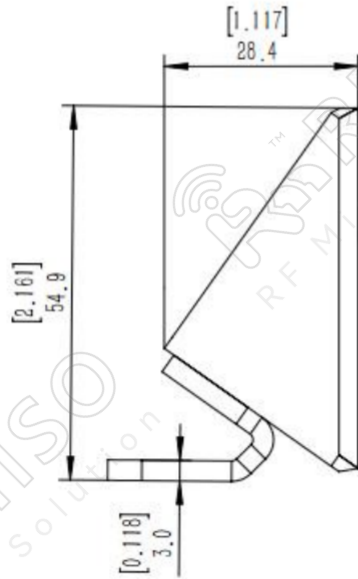
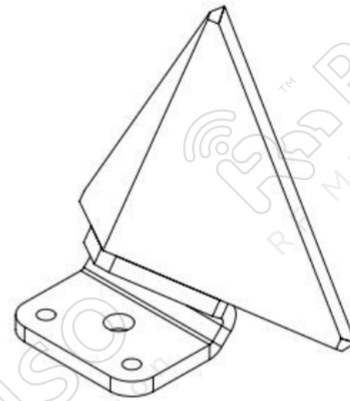
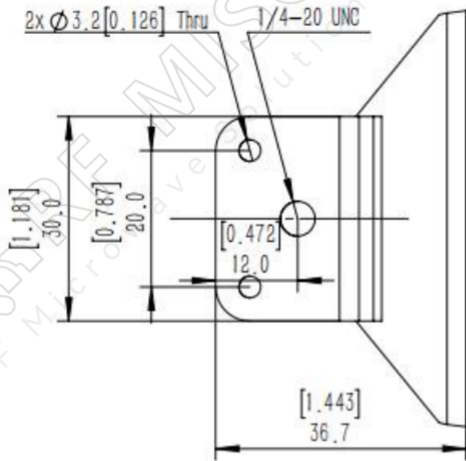
| RM-TCR61 | | |
|-------------|----------------|-------|
| Parameters | Specifications | Units |
| Edge Length | 61 | mm |
| Finishing | Plait | |
| Weight | 0.027 | Kg |
| Material | Al | |

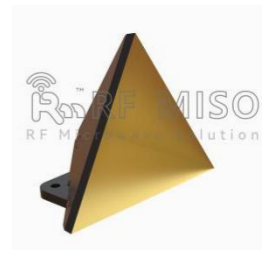


Trihedral Corner Reflector Data Sheet

RM-TCR61

Outline Drawing





Trihedral Corner Reflector Data Sheet

RM-TCR61

Test Result

