



Waveguide to Coaxial Adapter
7.05-10GHz Frequency Range

Waveguide to Coaxial Adapter Date Sheet

RM-WCA112

Features

- Full Waveguide Band Performance
- Low Insertion Loss and VSWR
- Test Lab
- Instrumentation

Descriptions

The **RM-WCA112** are right angle (90°) waveguide to coaxial adapters that operate the frequency range of 7.05-10GHz. They are designed and manufactured for instrumentation grade quality but offered at a commercial grade price, allowing for an efficient transition between the rectangular waveguide and SMA-K/N-K coaxial connector.

Specifications

RM-WCA112		
Item	Specification	Units
Frequency Range	7.05-10	GHz
Waveguide	WR112	dBi
VSWR	1.3 Max	
Insertion Loss	0.35 Max	dB
Flange	FBP84	
Connector	SMA-K/N-K	
Average Power	SMA-K:50Max	W
	N-K:150Max	
Peak Power	SMA-K:3	kW
	N-K:3	
Material	Al	
Size	43.1*47.8*47.8	mm
Net Weight	0.082	Kg

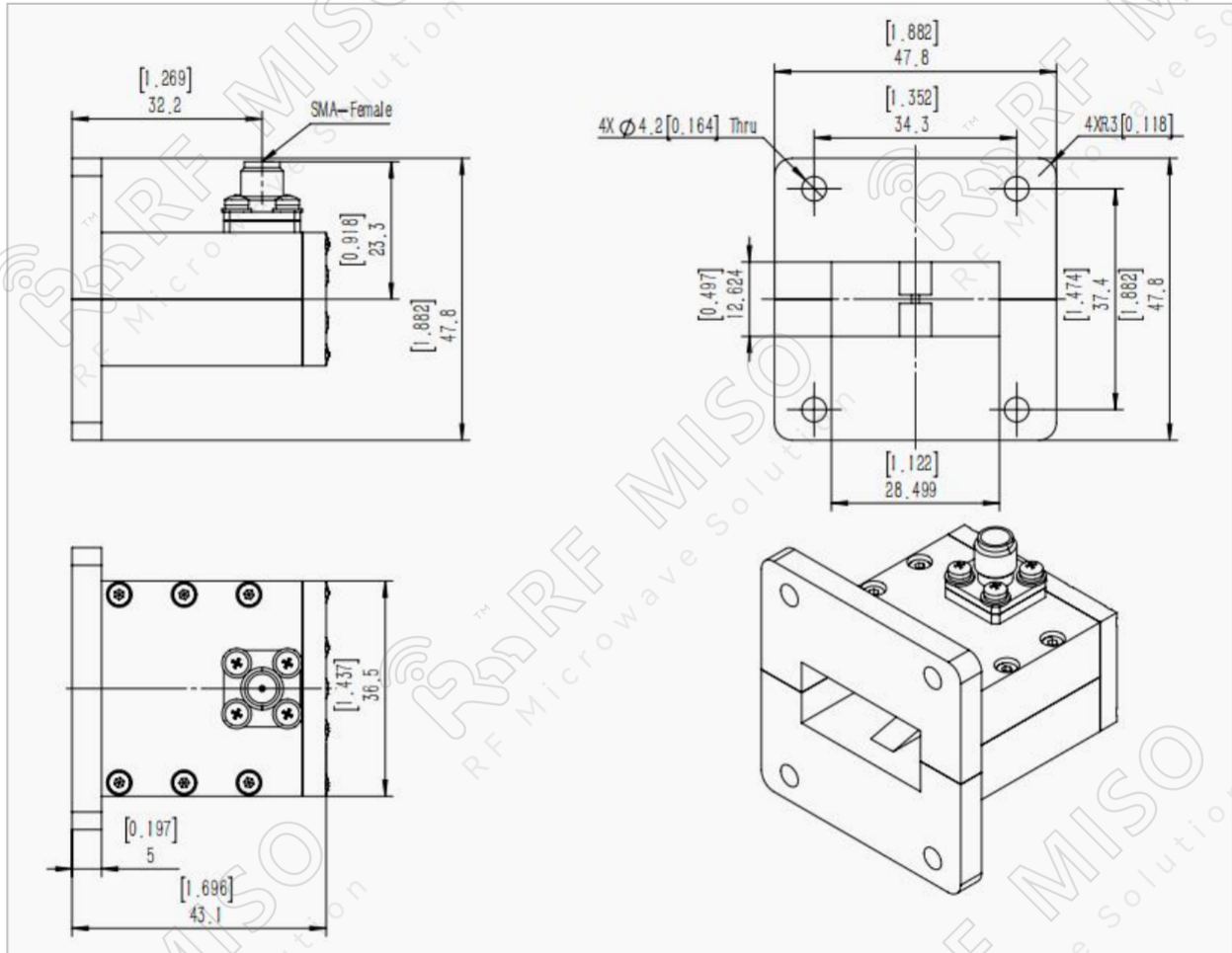


Waveguide to Coaxial Adapter
7.05-10GHz Frequency Range

Waveguide to Coaxial Adapter Date Sheet

RM-WCA112

Outline Drawing





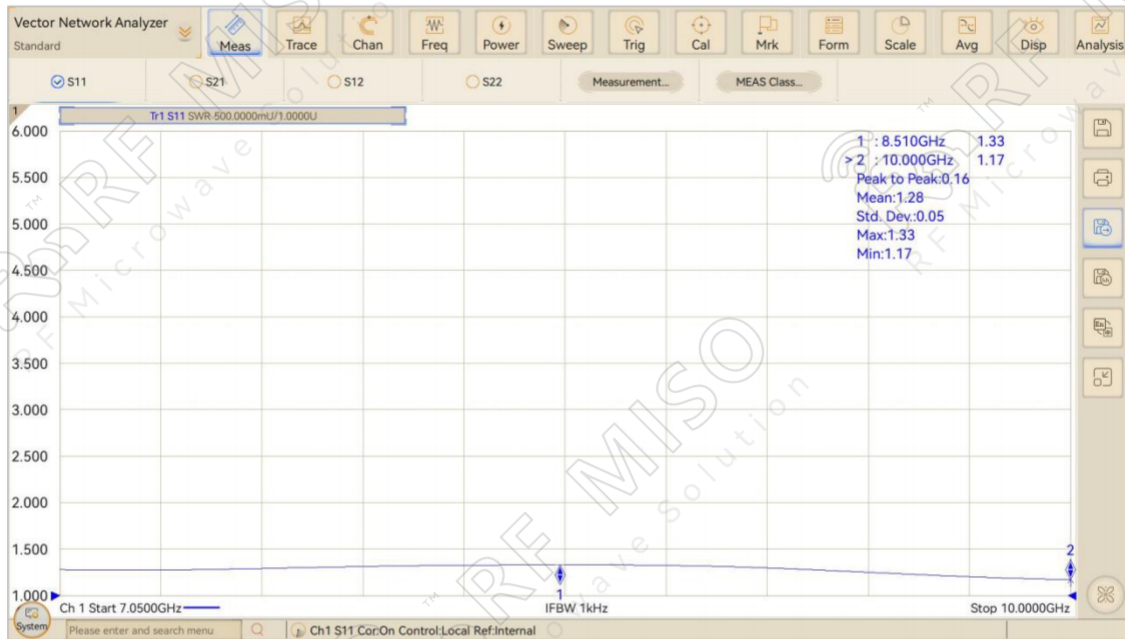
Waveguide to Coaxial Adapter
7.05-10GHz Frequency Range

Waveguide to Coaxial Adapter Date Sheet

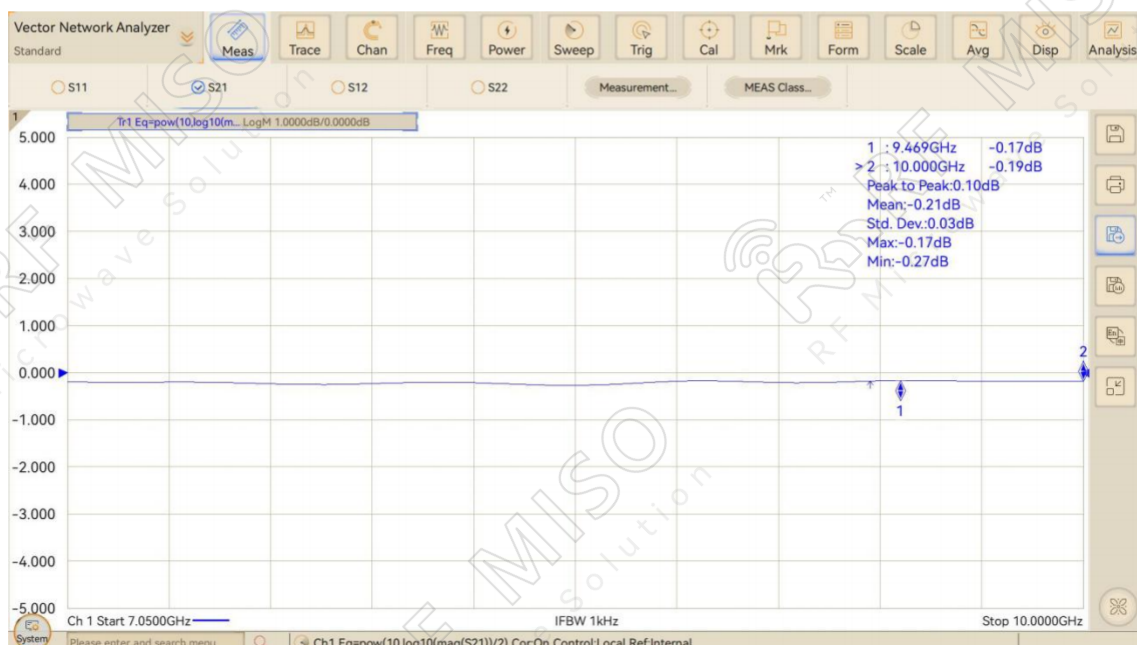
RM-WCA112

Test Data

VSWR



Insertion Loss



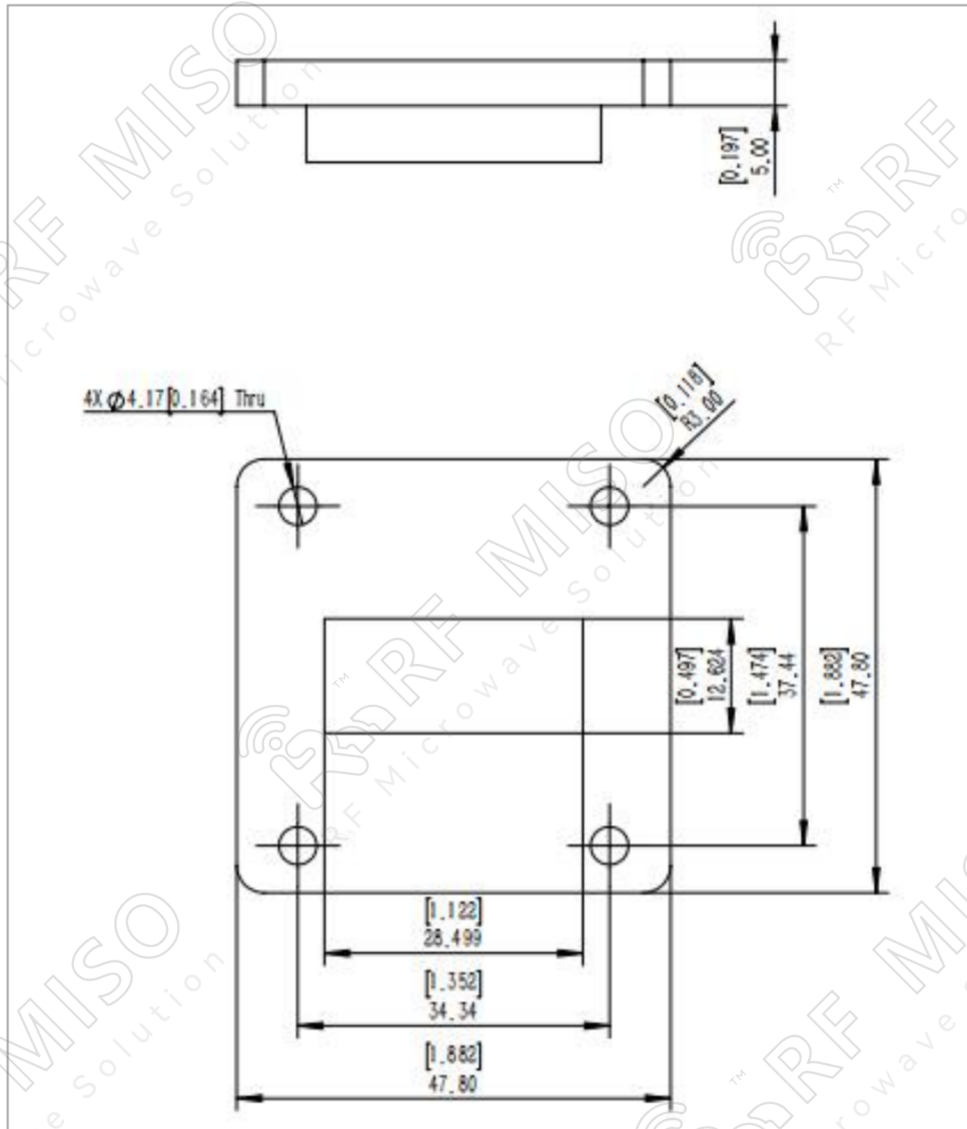


Waveguide to Coaxial Adapter
7.05-10GHz Frequency Range

Waveguide to Coaxial Adapter Date Sheet

RM-WCA112

Flange Outline Drawing



FBP84