



Waveguide to Coaxial Adapter
7.05-10GHz Frequency Range

Waveguide to Coaxial Adapter Date Sheet

RM-WCA112

Features

- Full Waveguide Band Performance
- Low Insertion Loss and VSWR
- Test Lab
- Instrumentation

Descriptions

The **RM-WCA112** are right angle (90°) waveguide to coaxial adapters that operate the frequency range of 7.05-10GHz. They are designed and manufactured for instrumentation grade quality but offered at a commercial grade price, allowing for an efficient transition between the rectangular waveguide and SMA-Female coaxial connector.

Specifications

| RM-WCA112 | | |
|-----------------|----------------|-------|
| Item | Specification | Units |
| Frequency Range | 7.05-10 | GHz |
| Waveguide | WR112 | dBi |
| VSWR | 1.3 Max | |
| Insertion Loss | 0.35 Max | dB |
| Flange | FBP84 | |
| Connector | SMA-Female | |
| Average Power | 50Max | W |
| Peak Power | 3 | kW |
| Material | Al | |
| Size | 34.1*47.8*47.8 | mm |
| Net Weight | 0.068 | Kg |

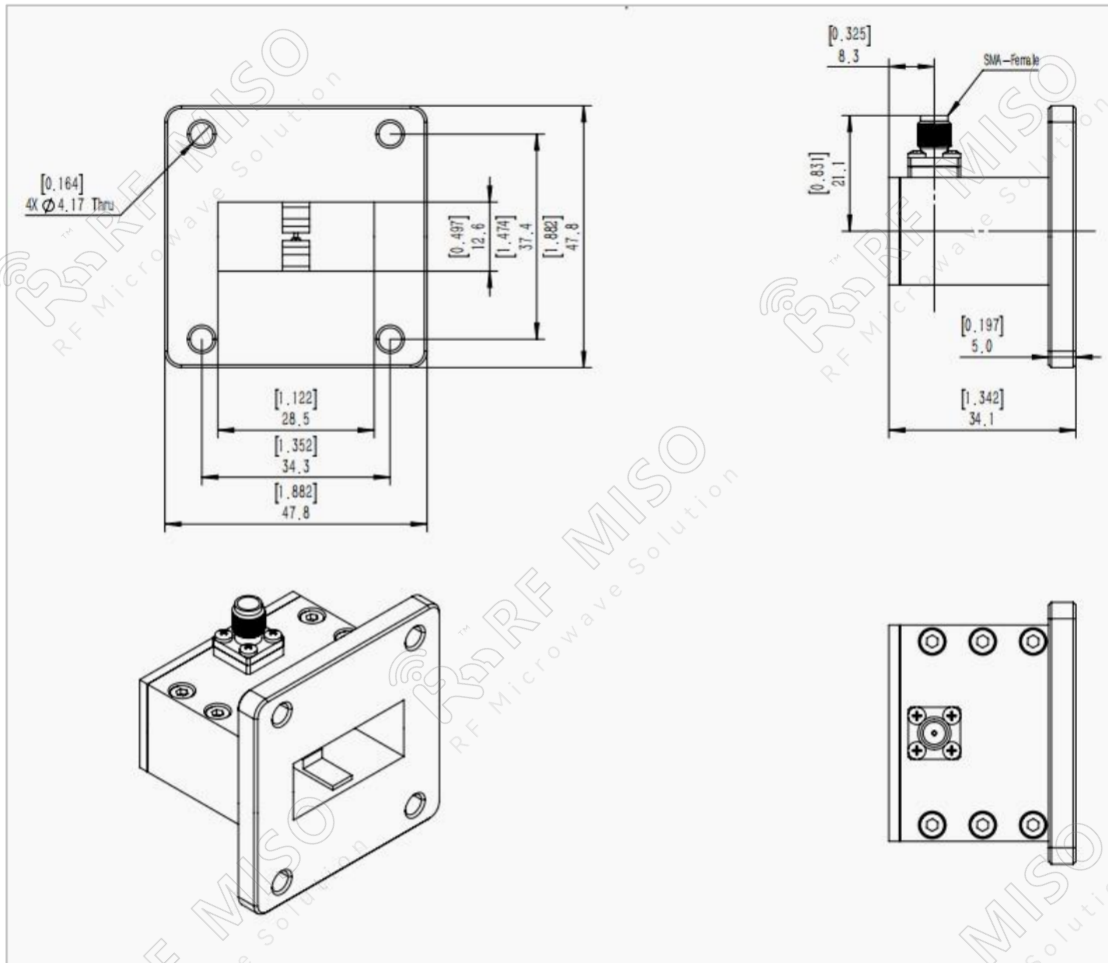


Waveguide to Coaxial Adapter
7.05-10GHz Frequency Range

Waveguide to Coaxial Adapter Date Sheet

RM-WCA112

Outline Drawing





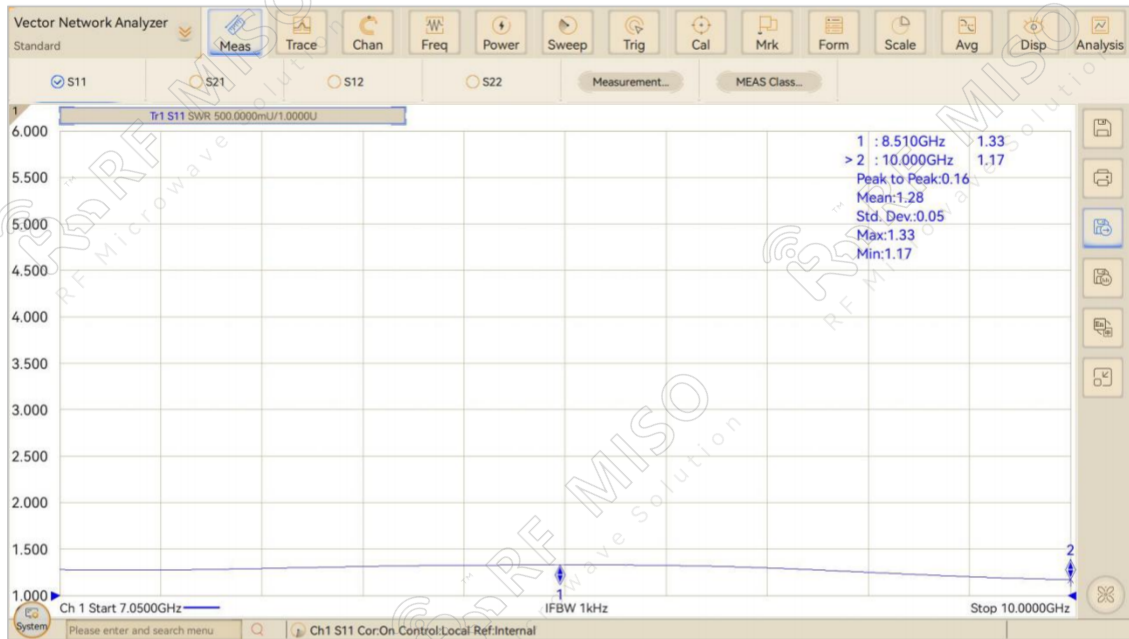
Waveguide to Coaxial Adapter
7.05-10GHz Frequency Range

Waveguide to Coaxial Adapter Date Sheet

RM-WCA112

Test Data

VSWR



Insertion Loss

