



Waveguide to Coaxial Adapter
5.85-8.2GHz Frequency Range

Waveguide to Coaxial Adapter Data Sheet

RM-WCA137

Features

- Full Waveguide Band Performance
- Low Insertion Loss and VSWR
- Test Lab
- Instrumentation

Descriptions

The **RM-WCA137** are right angle (90°) waveguide to coaxial adapters that operate the frequency range of 5.85-8.2GHz. They are designed and manufactured for instrumentation grade quality but offered at a commercial grade price, allowing for an efficient transition between the rectangular waveguide and SMA-Female coaxial connector.

Specifications

RM-WCA137		
Item	Specification	Units
Frequency Range	5.85-8.2	GHz
Waveguide	WR137	dBi
VSWR	1.3 Max	
Insertion Loss	0.3 Max	dB
Flange	FDP70	
Connector	SMA-Female	
Average Power	150 Max	W
Peak Power	3	kW
Material	Al	
Size	49.6*68.3*49.2	mm
Net Weight	0.121	Kg

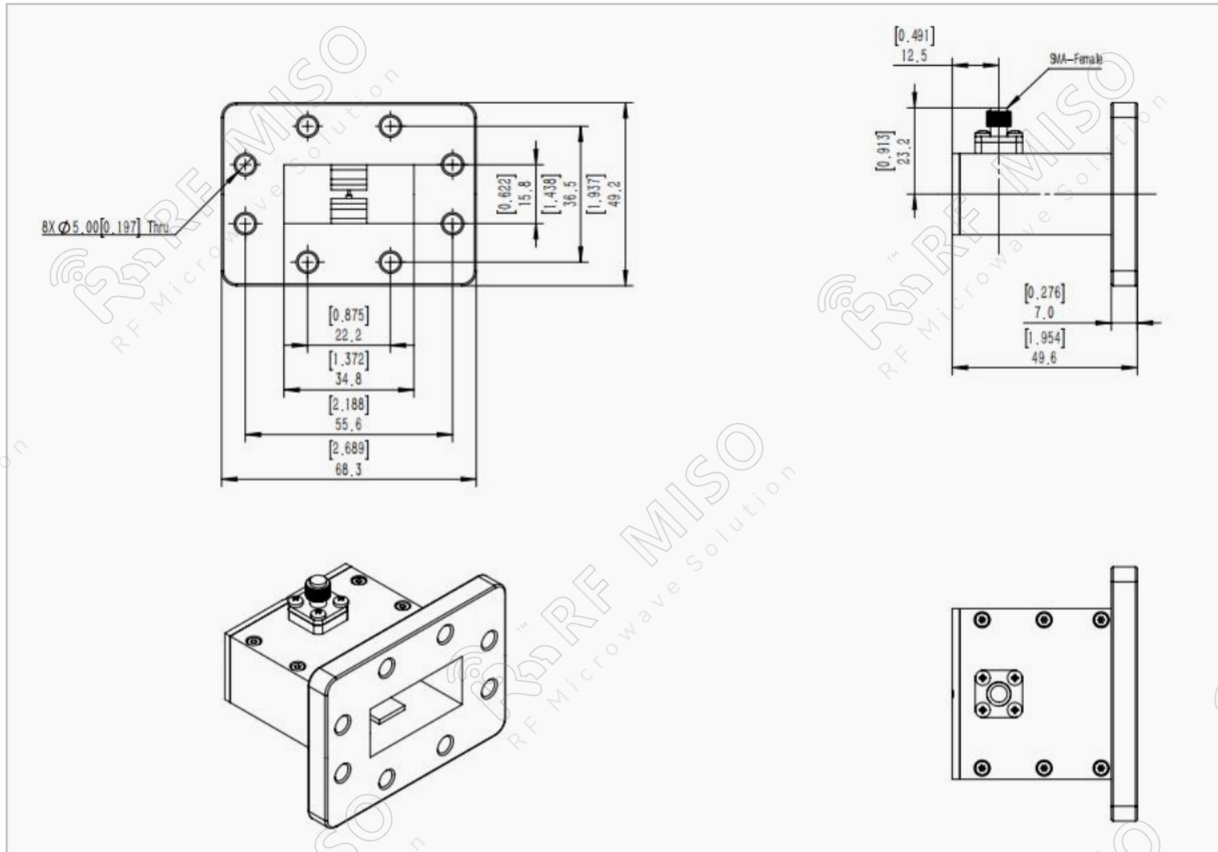


Waveguide to Coaxial Adapter
5.85-8.2GHz Frequency Range

Waveguide to Coaxial Adapter Data Sheet

RM-WCA137

Outline Drawing





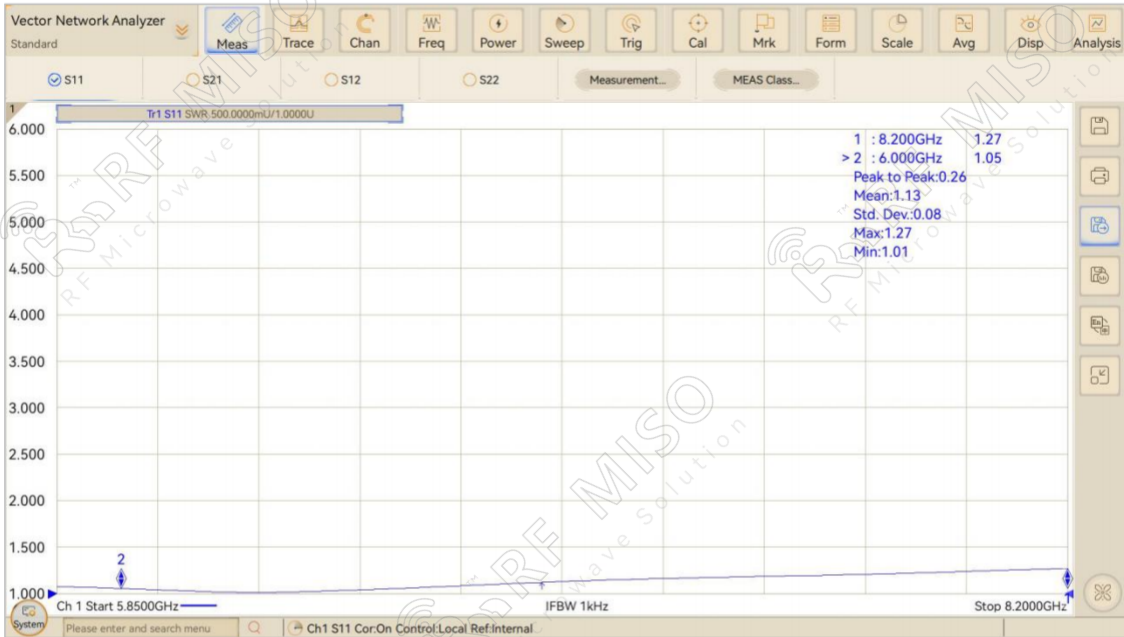
Waveguide to Coaxial Adapter
5.85-8.2GHz Frequency Range

Waveguide to Coaxial Adapter Data Sheet

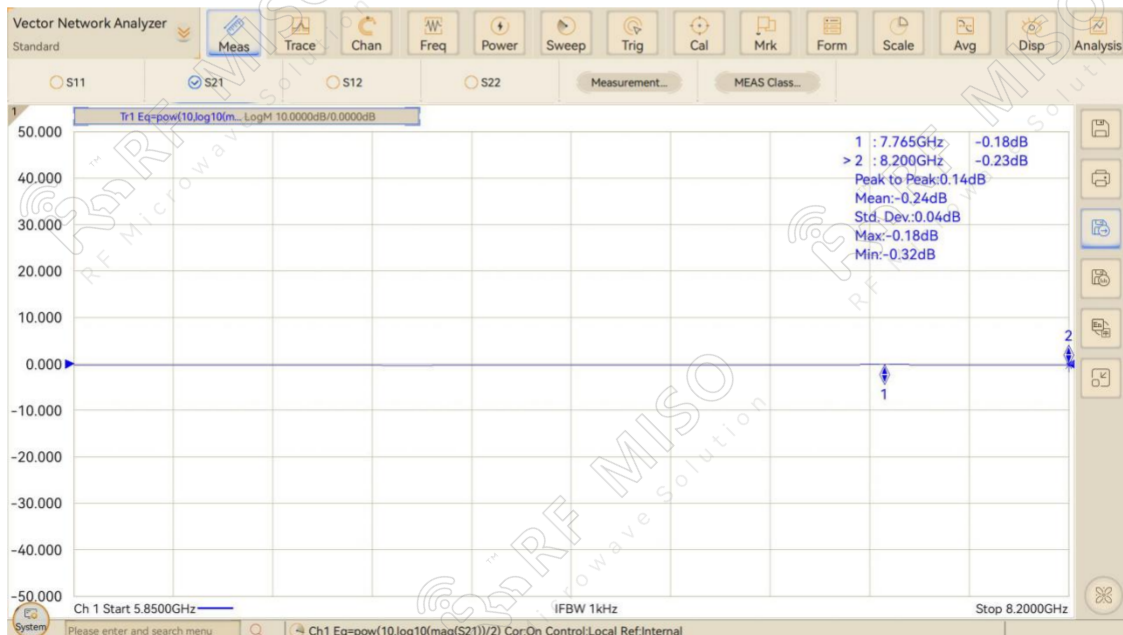
RM-WCA137

Test Data

VSWR



Insertion Loss



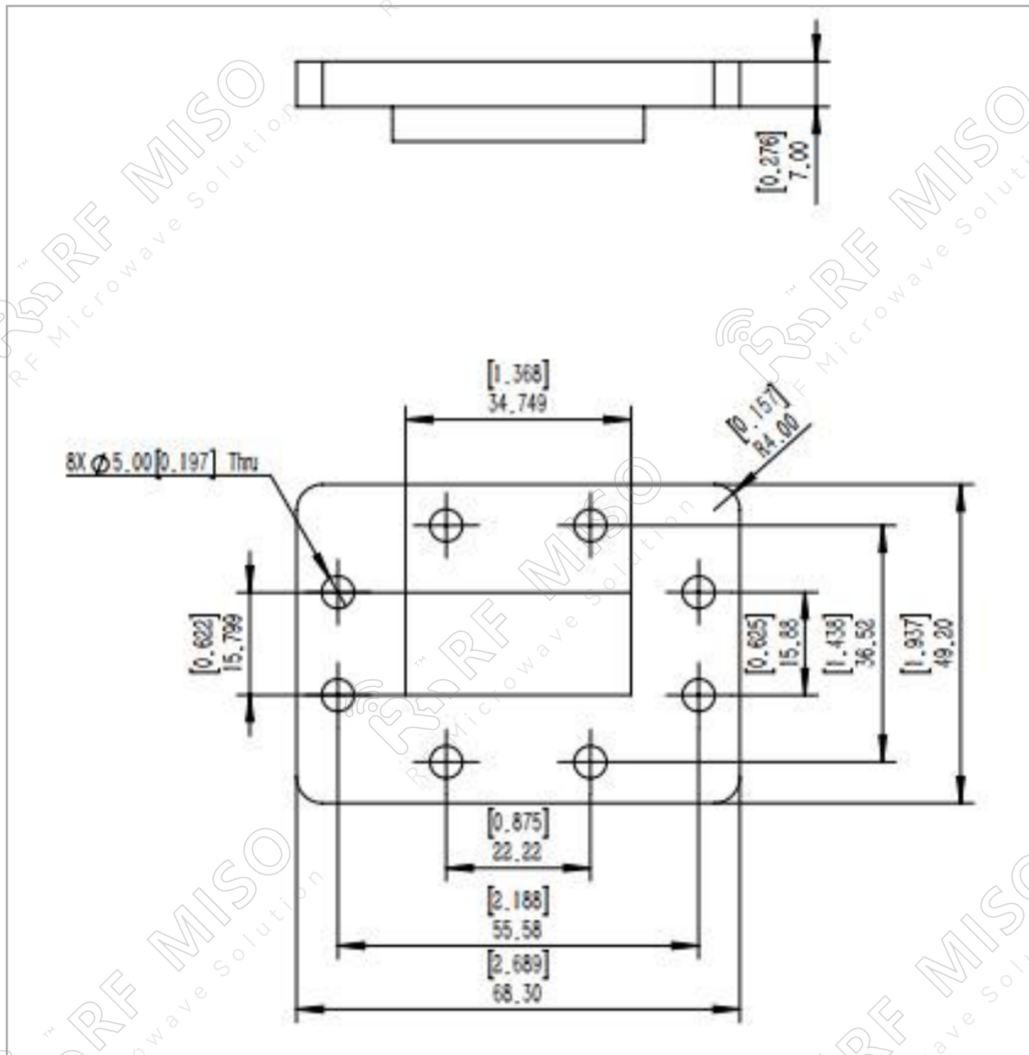


Waveguide to Coaxial Adapter
5.85-8.2GHz Frequency Range

Waveguide to Coaxial Adapter Data Sheet

RM-WCA137

Flange Outline Drawing



FDP70