



Waveguide to Coaxial Adapter
4.9-7.05GHz Frequency Range

Waveguide to Coaxial Adapter Date Sheet

RM-WCA159

Features

- Full Waveguide Band Performance
- Low Insertion Loss and VSWR
- Test Lab
- Instrumentation

Descriptions

The **RM-WCA159** are right angle (90°) waveguide to coaxial adapters that operate the frequency range of 4.9-7.05GHz. They are designed and manufactured for instrumentation grade quality but offered at a commercial grade price, allowing for an efficient transition between the rectangular waveguide and N-K coaxial connector.

Specifications

RM-WCA159		
Item	Specification	Units
Frequency Range	4.9-7.05	GHz
Waveguide	WR159	dBi
VSWR	1.3 Max	
Insertion Loss	0.3Max	dB
Flange	FDP58	
Connector	N-K	
Average Power	150 Max	W
Peak Power	3	kW
Material	Al	
Size	61*81*70.2	mm
Net Weight	0.161	Kg

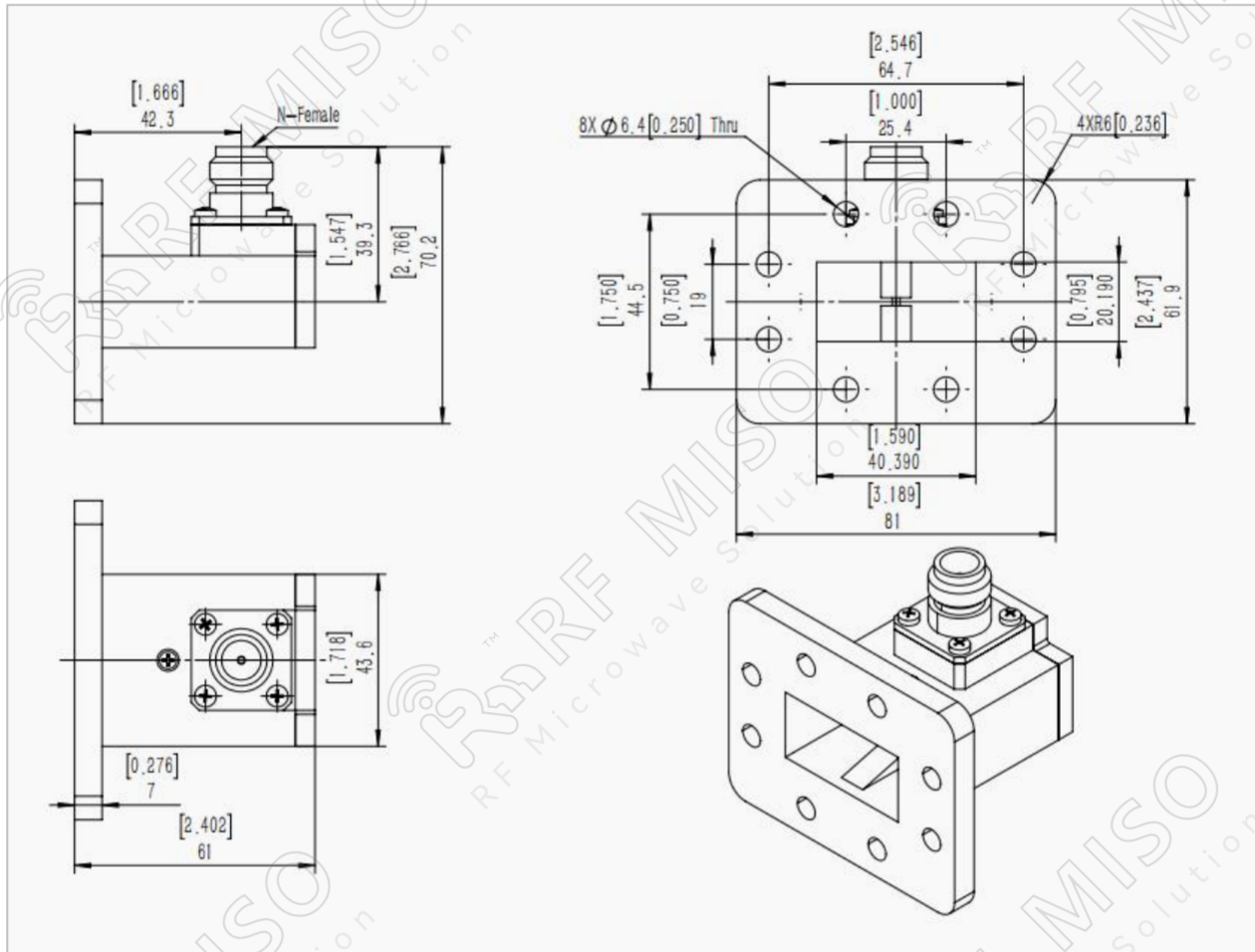


Waveguide to Coaxial Adapter
4.9-7.05GHz Frequency Range

Waveguide to Coaxial Adapter Date Sheet

RM-WCA159

Outline Drawing





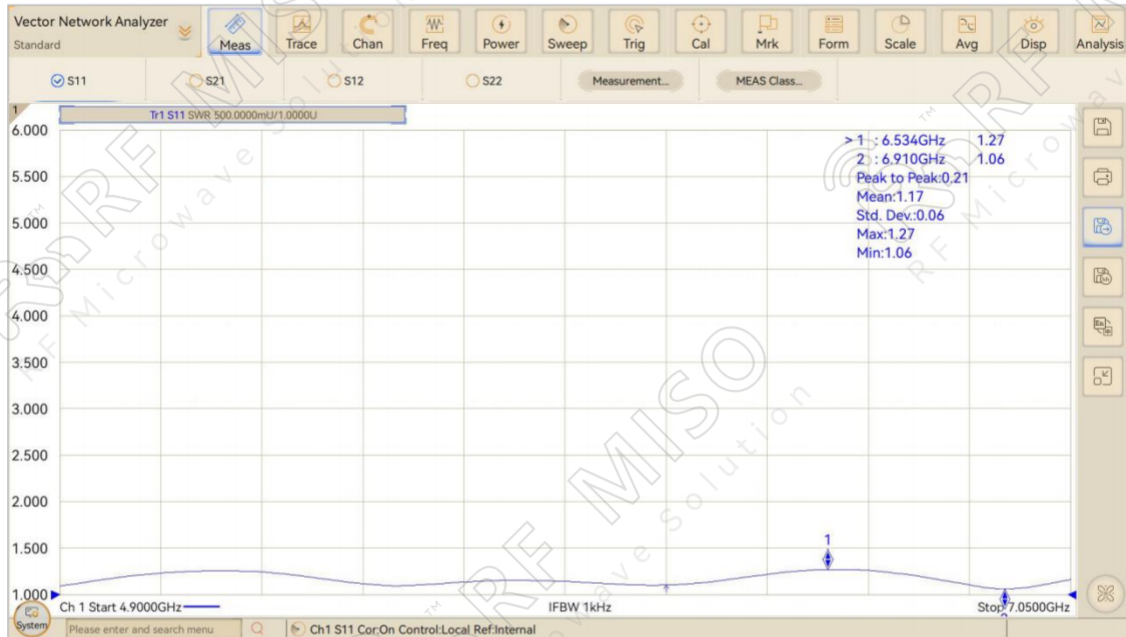
Waveguide to Coaxial Adapter
4.9-7.05GHz Frequency Range

Waveguide to Coaxial Adapter Date Sheet

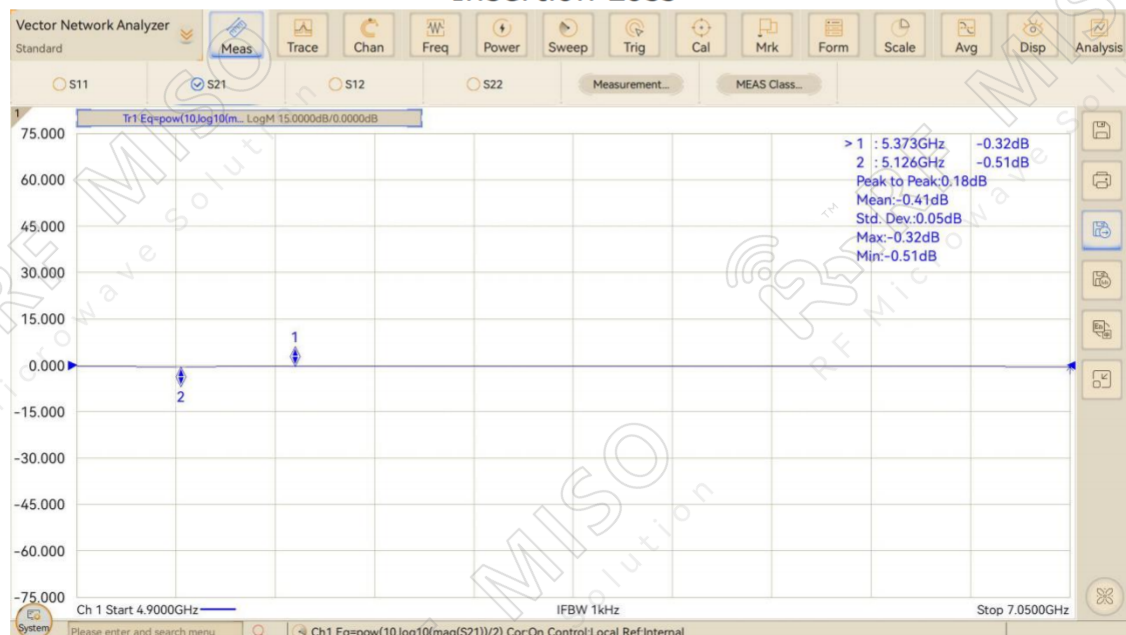
RM-WCA159

Test Data

VSWR



Insertion Loss



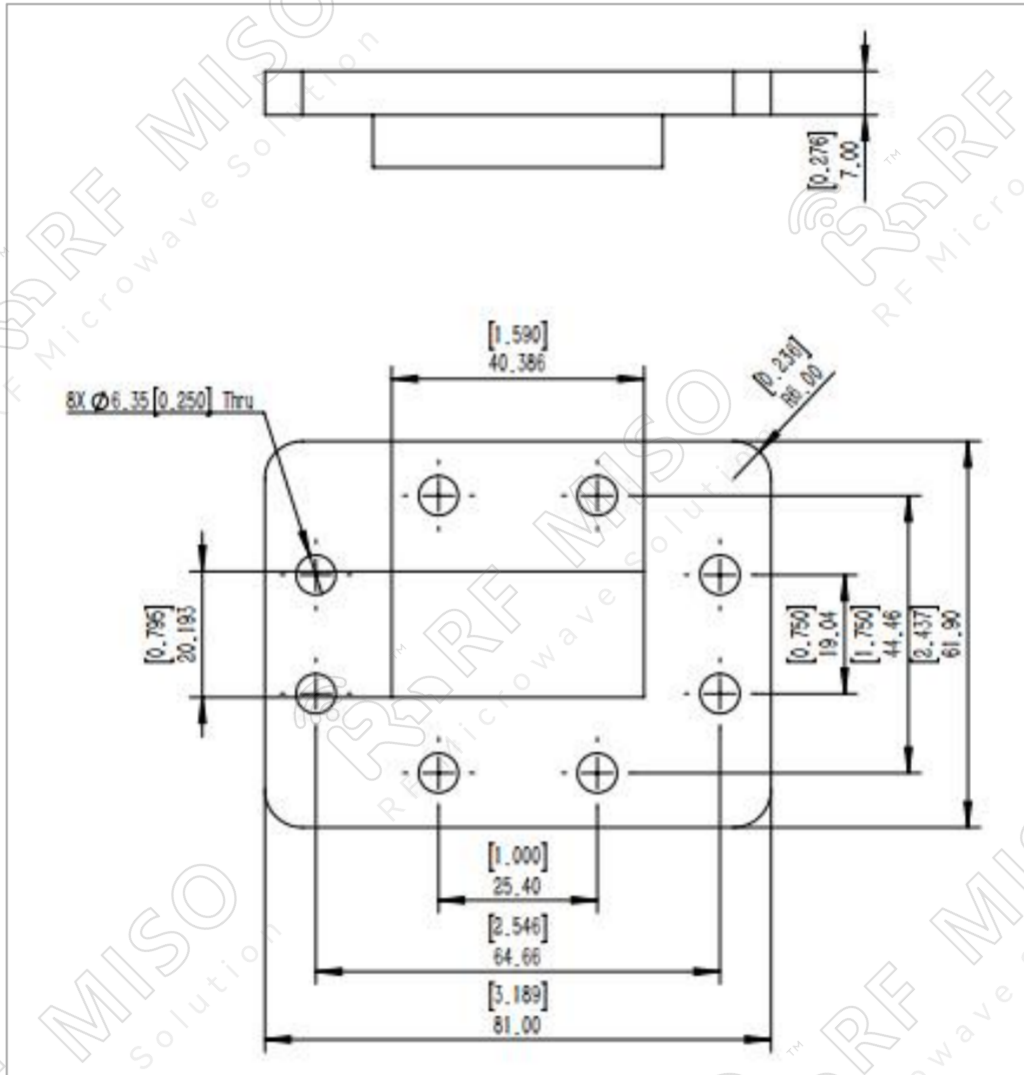


Waveguide to Coaxial Adapter
4.9-7.05GHz Frequency Range

Waveguide to Coaxial Adapter Date Sheet

RM-WCA159

Flange Outline Drawing



FDP58