



Waveguide to Coaxial Adapter
3.95-5.85GHz Frequency Range

Waveguide to Coaxial Adapter Data Sheet

RM-WCA187

Features

- Full Waveguide Band Performance
- Low Insertion Loss and VSWR
- Test Lab
- Instrumentation

Descriptions

The **RM-WCA187** are right angle (90°) waveguide to coaxial adapters that operate the frequency range of 3.95-5.85GHz. They are designed and manufactured for instrumentation grade quality but offered at a commercial grade price, allowing for an efficient transition between the rectangular waveguide and SMA-Female coaxial connector.

Specifications

RM-WCA187		
Item	Specification	Units
Frequency Range	3.95-5.85	GHz
Waveguide	WR187	dBi
VSWR	1.3 Max	
Insertion Loss	0.3 Max	dB
Flange	FDP48	
Connector	SMA-Female	
Average Power	150 Max	W
Peak Power	3	kW
Material	Al	
Size	63.7*88.9*63.5	mm
Net Weight	0.256	Kg

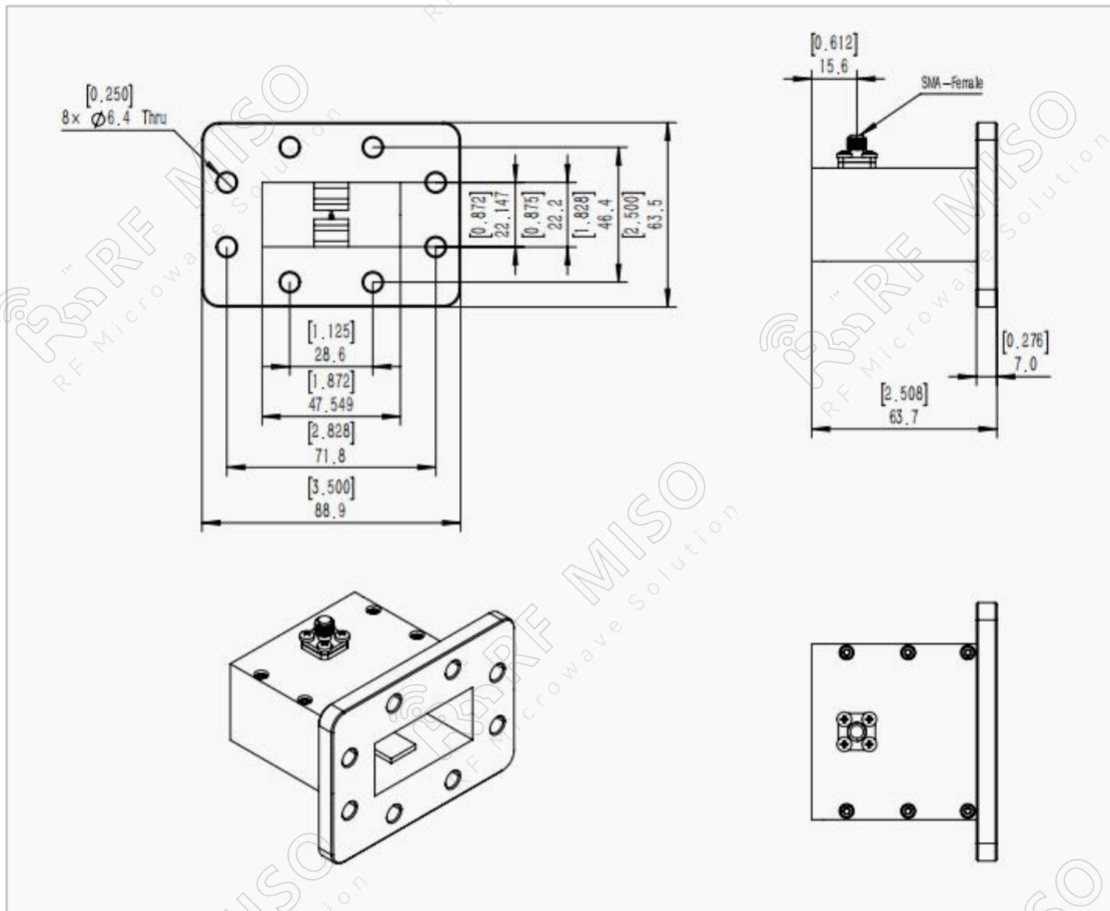


Waveguide to Coaxial Adapter
3.95-5.85GHz Frequency Range

Waveguide to Coaxial Adapter Data Sheet

RM-WCA187

Outline Drawing





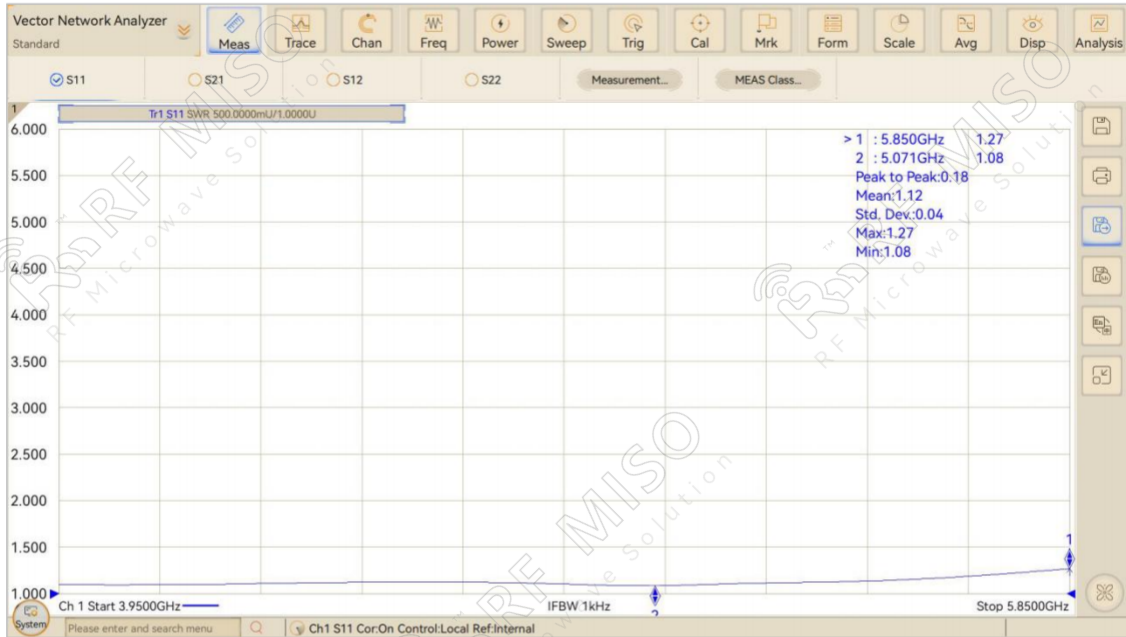
Waveguide to Coaxial Adapter
3.95-5.85GHz Frequency Range

Waveguide to Coaxial Adapter Data Sheet

RM-WCA187

Test Data

VSWR



Insertion Loss

