

Waveguide to Coaxial Adapter Data Sheet

RM-WCA19

Features

- Full Waveguide Band Performance
- Low Insertion Loss and VSWR
- Test Lab
- Instrumentation

Descriptions

The **RM-WCA19** are right angle (90°) waveguide to coaxial adapters that operate the frequency range of 40-60GHz. They are designed and manufactured for instrumentation grade quality but offered at a commercial grade price, allowing for an efficient transition between the rectangular waveguide and 1.85mm female coaxial connector.

Specifications

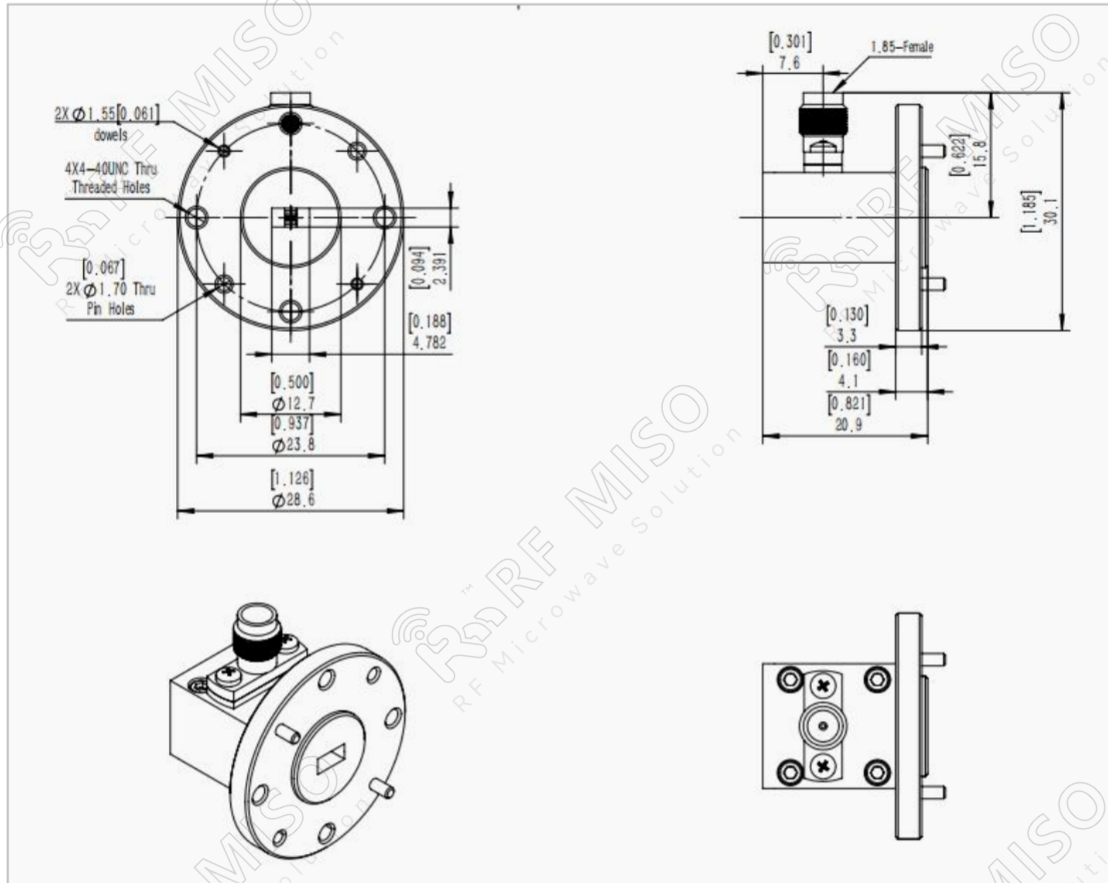
RM-WCA19		
Item	Specification	Units
Frequency Range	40-60	GHz
Waveguide	WR19	dBi
VSWR	1.3 Max	
Insertion Loss	0.8 Max	dB
Return Loss	32 Typ.	dB
Flange	FUGP500	
Connector	1.85mm female	
Peak Power	0.01	kW
Material	Al	
Size (L*W*H)	28.6*20.9*28.6(±5)	mm
Net Weight	0.015	Kg

Waveguide to Coaxial Adapter
40-60GHz Frequency Range

Waveguide to Coaxial Adapter Data Sheet

RM-WCA19

Outline Drawing



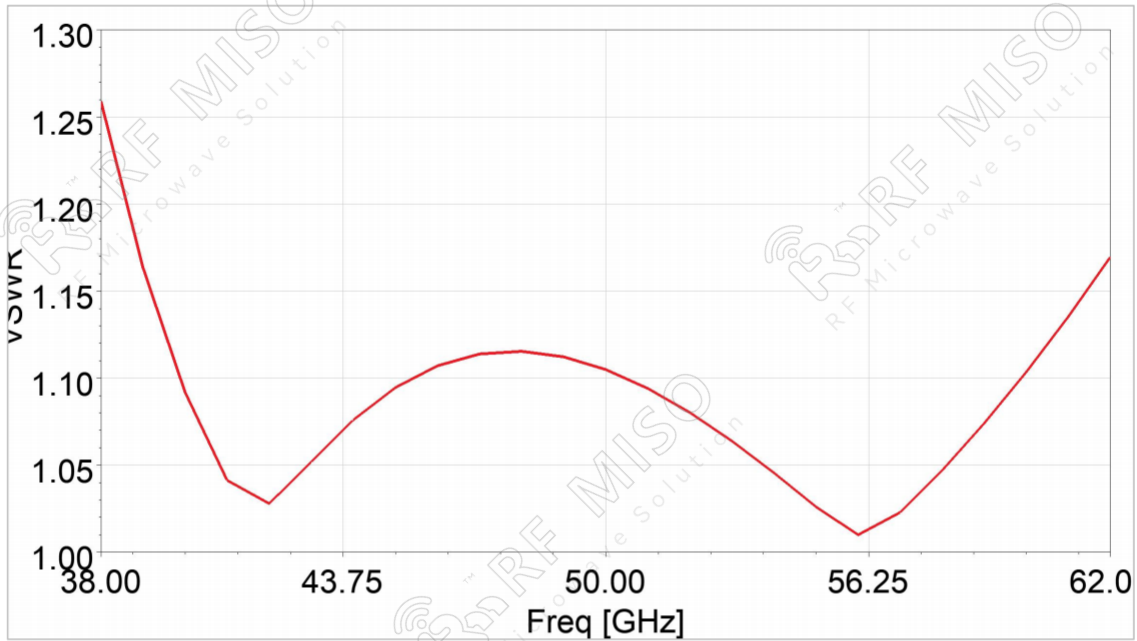
Waveguide to Coaxial Adapter
40-60GHz Frequency Range

Waveguide to Coaxial Adapter Data Sheet

RM-WCA19

Simulation Data

VSWR



Return Loss

