



Waveguide to Coaxial Adapter
3.3-4.9GHz Frequency Range

Waveguide to Coaxial Adapter Date Sheet

RM-WCA229

Features

- Full Waveguide Band Performance
- Low Insertion Loss and VSWR
- Test Lab
- Instrumentation

Descriptions

The **RM-WCA229** are right angle (90°) waveguide to coaxial adapters that operate the frequency range of 3.3-4.9GHz. They are designed and manufactured for instrumentation grade quality but offered at a commercial grade price, allowing for an efficient transition between the rectangular waveguide and N-K/7mm coaxial connector.

Specifications

RM-WCA229		
Item	Specification	Units
Frequency Range	3.3-4.9	GHz
Waveguide	WR229	dBi
VSWR	1.3 Max	
Insertion Loss	0.2 Max	dB
Flange	FDP40	
Connector	N-K/7mm	
Average Power	150 Max	W
Peak Power	3	kW
Material	Al	
Size	85*98.4*77.2	mm
Net Weight	0.245	Kg

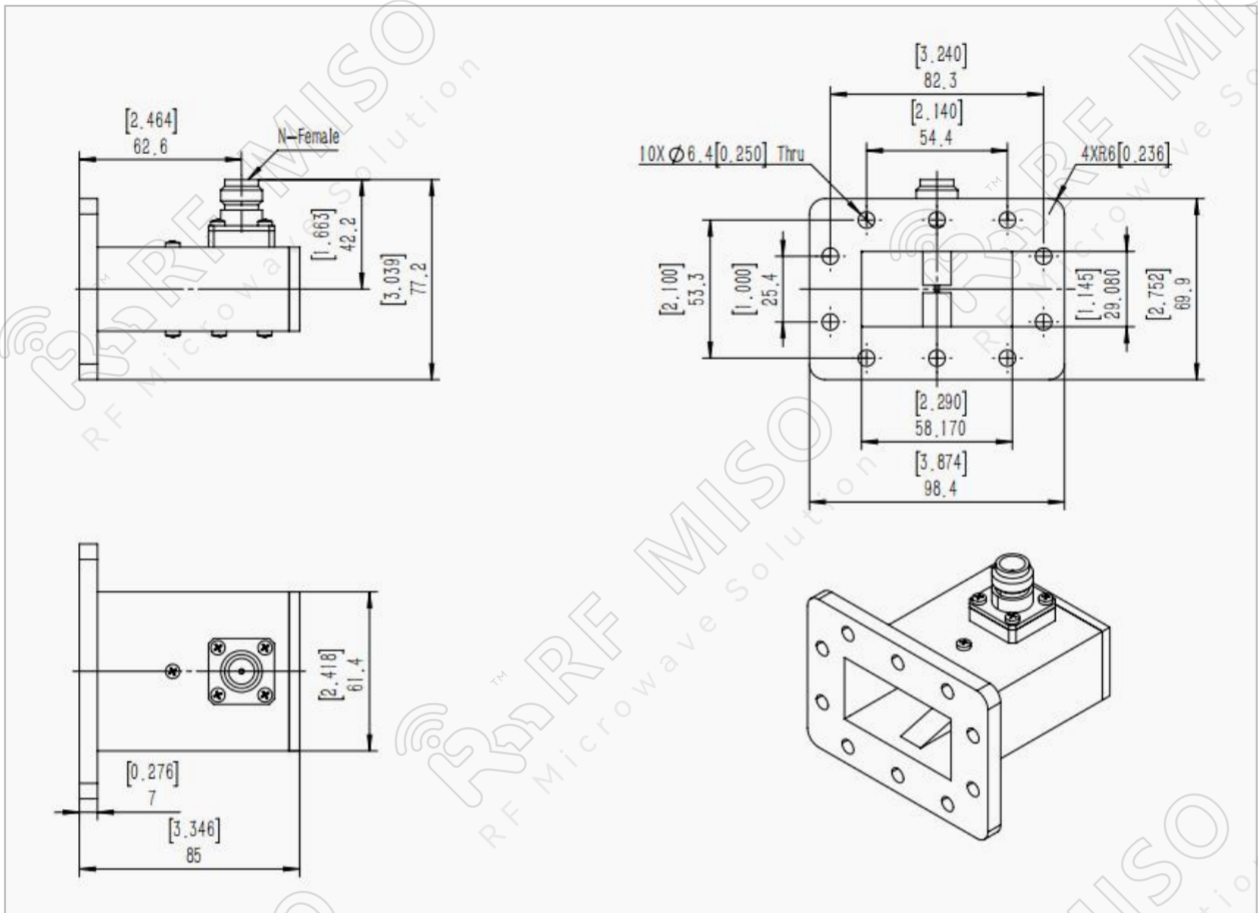


Waveguide to Coaxial Adapter
3.3-4.9GHz Frequency Range

Waveguide to Coaxial Adapter Date Sheet

RM-WCA229

Outline Drawing





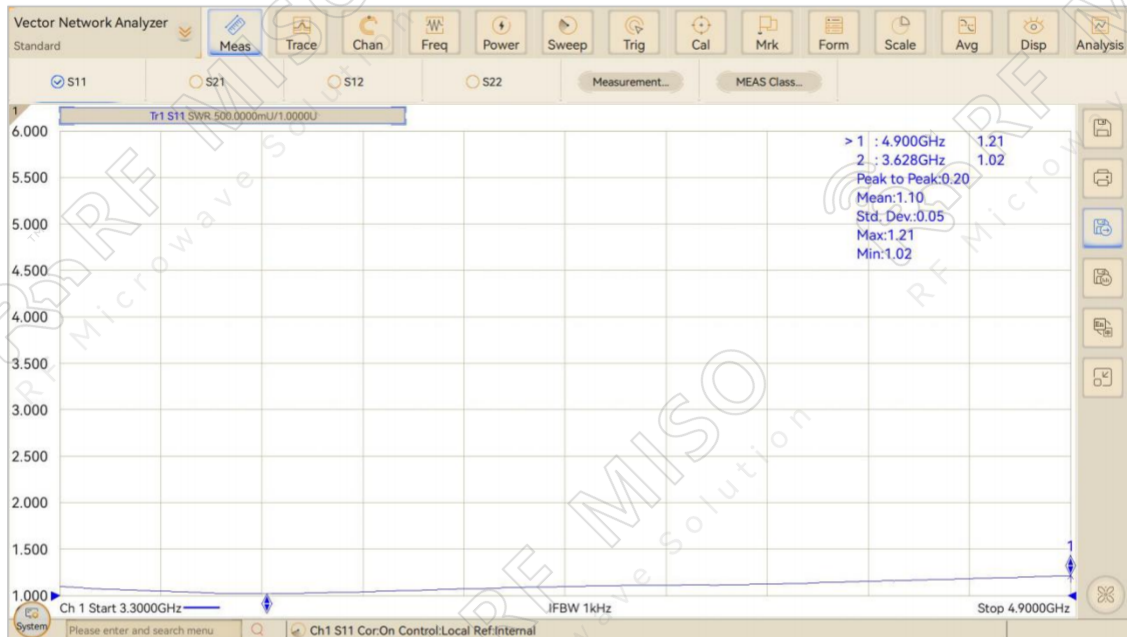
Waveguide to Coaxial Adapter
3.3-4.9GHz Frequency Range

Waveguide to Coaxial Adapter Date Sheet

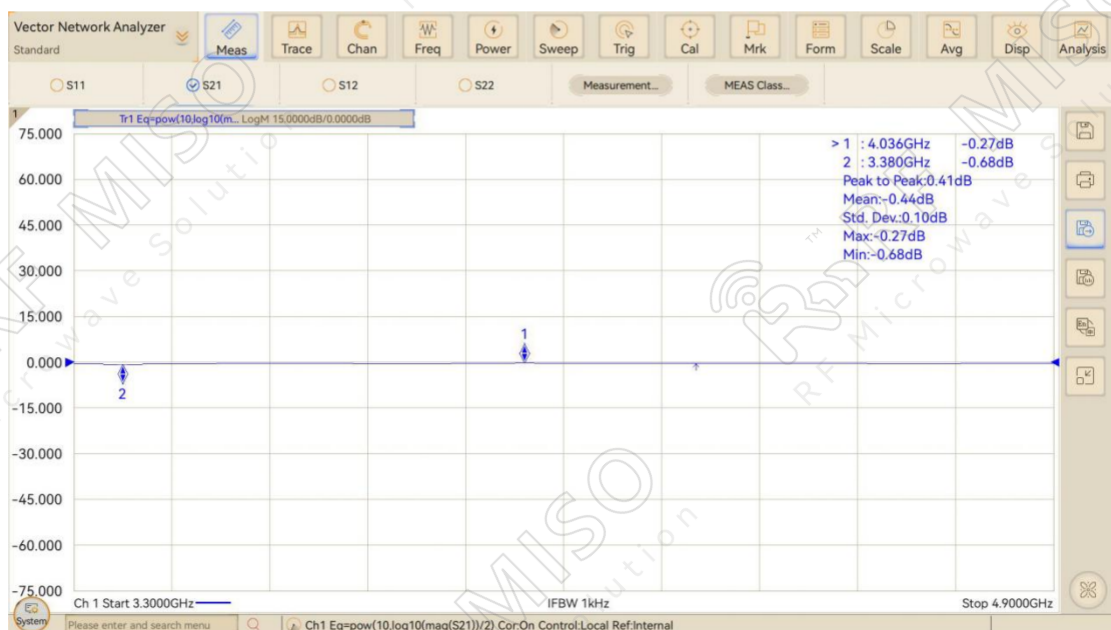
RM-WCA229

Test Data

VSWR



Insertion Loss



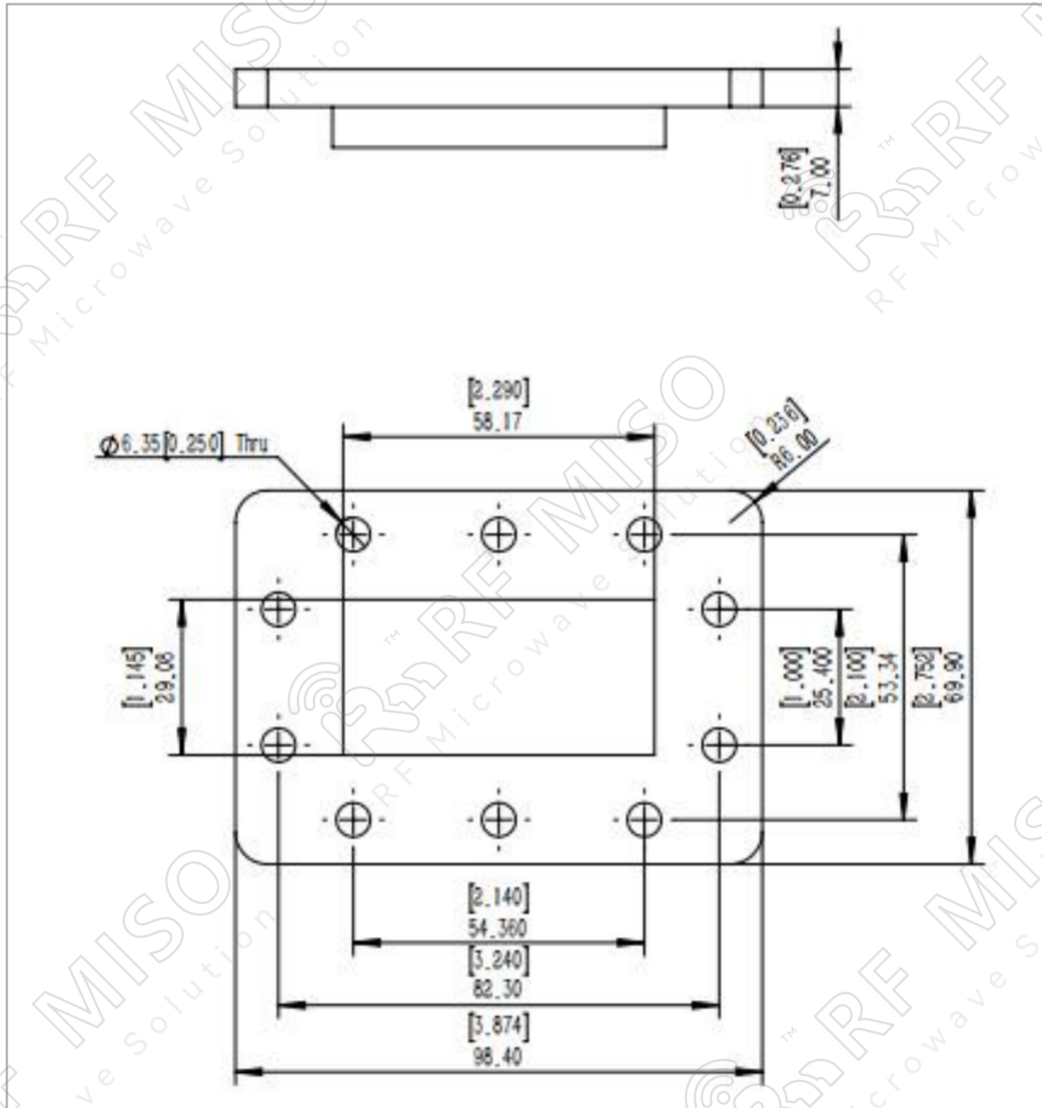


Waveguide to Coaxial Adapter
3.3-4.9GHz Frequency Range

Waveguide to Coaxial Adapter Date Sheet

RM-WCA229

Flange Outline Drawing



FDP40