



Waveguide to Coaxial Adapter
2.6-3.95GHz Frequency Range

Waveguide to Coaxial Adapter Data Sheet

RM-WCA284

Features

- Full Waveguide Band Performance
- Low Insertion Loss and VSWR
- Test Lab
- Instrumentation

Descriptions

The **RM-WCA284** are right angle (90°) waveguide to coaxial adapters that operate the frequency range of 2.6-3.95GHz. They are designed and manufactured for instrumentation grade quality but offered at a commercial grade price, allowing for an efficient transition between the rectangular waveguide and N-Female coaxial connector.

Specifications

RM-WCA284		
Item	Specification	Units
Frequency Range	2.6-3.95	GHz
Waveguide	WR284	dBi
VSWR	1.3 Max	
Insertion Loss	0.2 Max	dB
Flange	FDP32	
Connector	N-Female	
Average Power	50 Max	W
Peak Power	3	kW
Material	Al	
Size	103*81.4*81	mm
Net Weight	0.422	Kg

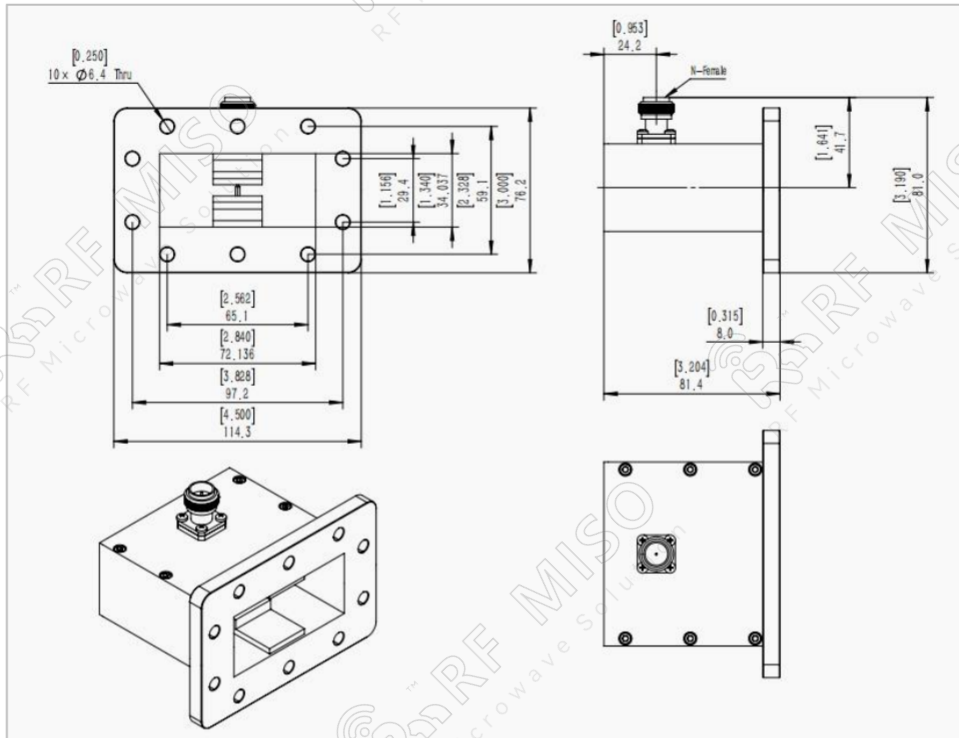


Waveguide to Coaxial Adapter
2.6-3.95GHz Frequency Range

Waveguide to Coaxial Adapter Data Sheet

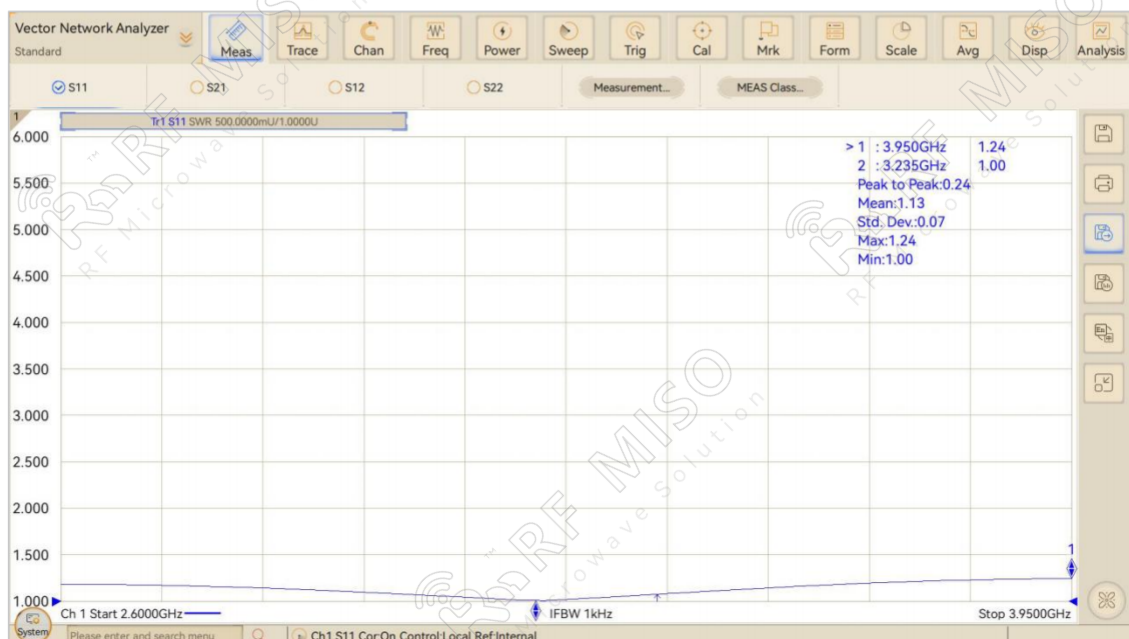
RM-WCA284

Outline Drawing



Test Data

VSWR



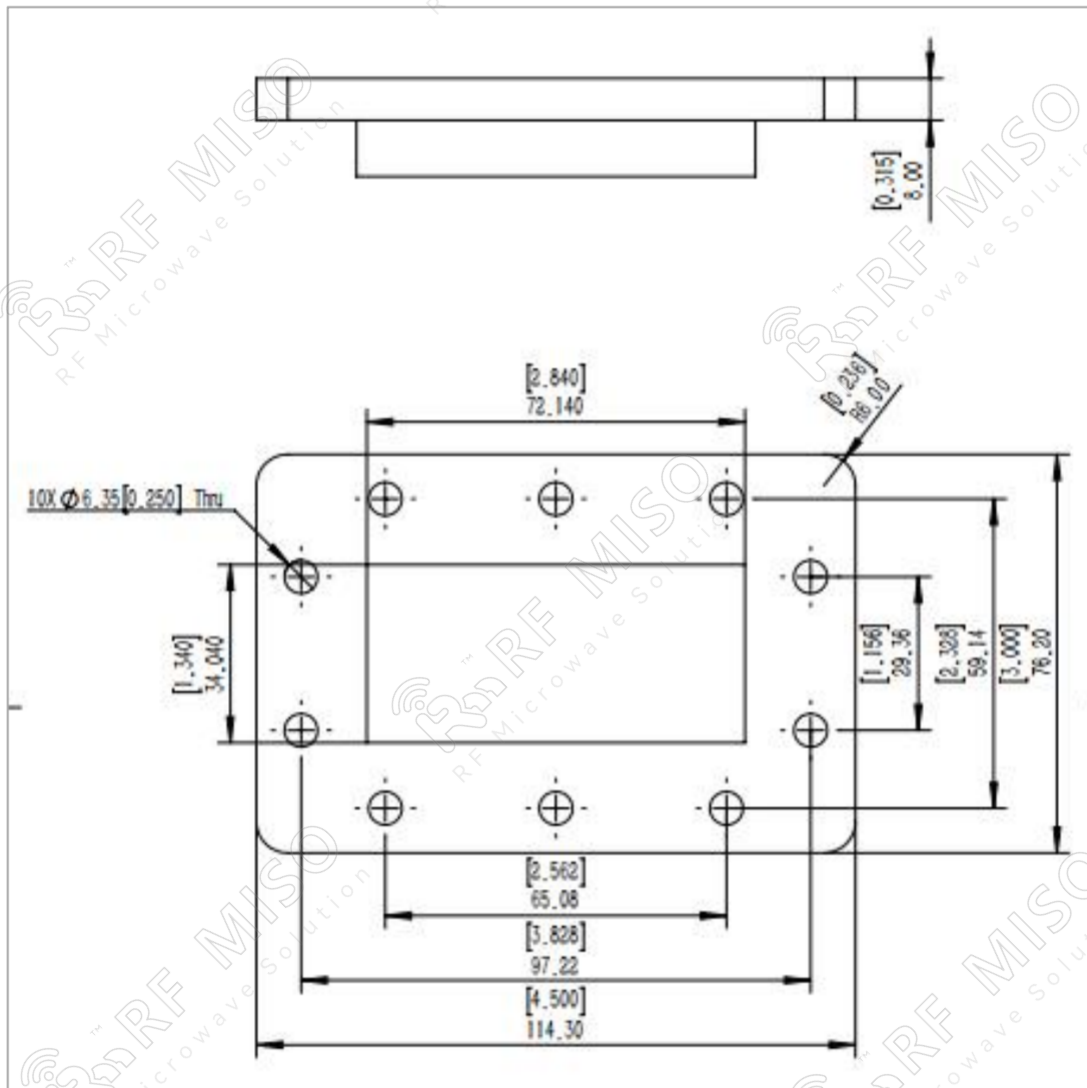


Waveguide to Coaxial Adapter
2.6-3.95GHz Frequency Range

Waveguide to Coaxial Adapter Data Sheet

RM-WCA284

Flange Outline Drawing



FDP32