



Waveguide to Coaxial Adapter  
22-33GHz Frequency Range

## Waveguide to Coaxial Adapter Date Sheet

**RM-WCA34**

### Features

- Full Waveguide Band Performance
- Low Insertion Loss and VSWR
- Test Lab
- Instrumentation

### Descriptions

The **RM-WCA34** are right angle (90°) waveguide to coaxial adapters that operate the frequency range of 22-33GHz. They are designed and manufactured for instrumentation grade quality but offered at a commercial grade price, allowing for an efficient transition between the rectangular waveguide and 2.92-K coaxial connector.

### Specifications

RM-WCA34		
Item	Specification	Units
Frequency Range	22-33	GHz
Waveguide	WR34	dBi
VSWR	1.3 Max	
Insertion Loss	0.45 Max	dB
Flange	FBP260	
Connector	2.92-K	
Average Power	50 Max	W
Peak Power	3	kW
Material	Al	
Size	23.3*21.1*28.2	mm
Net Weight	0.012	Kg

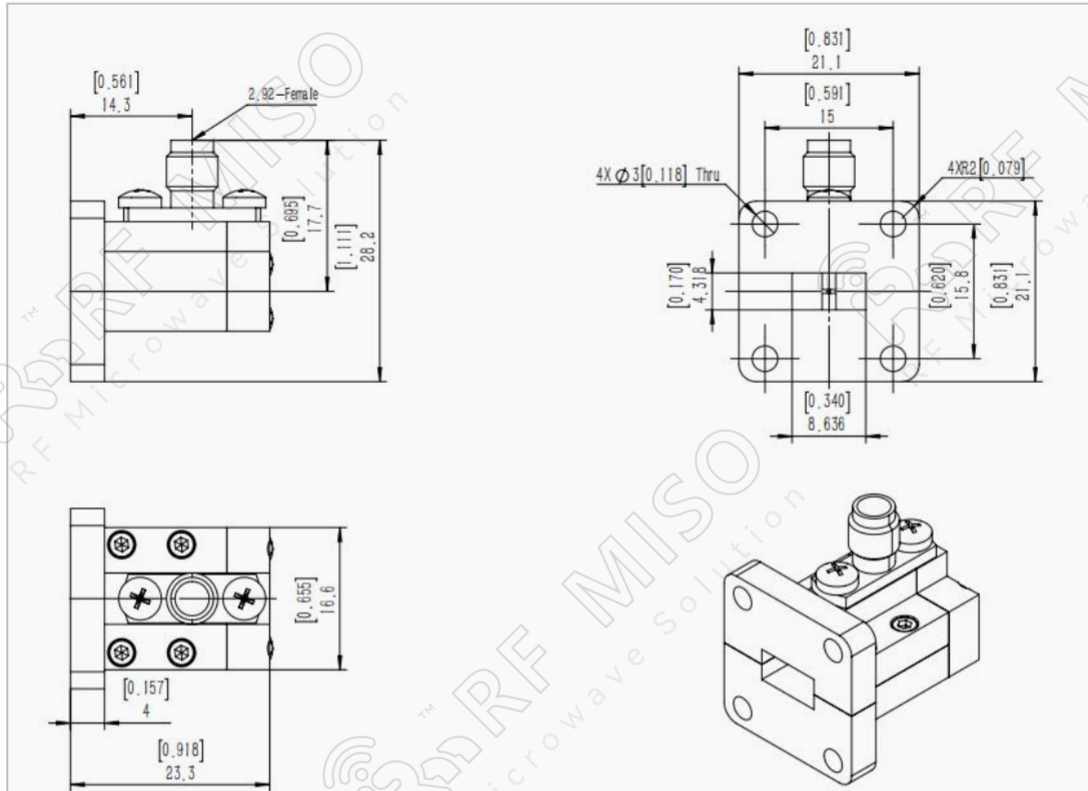


Waveguide to Coaxial Adapter  
22-33GHz Frequency Range

**Waveguide to Coaxial Adapter Date Sheet**

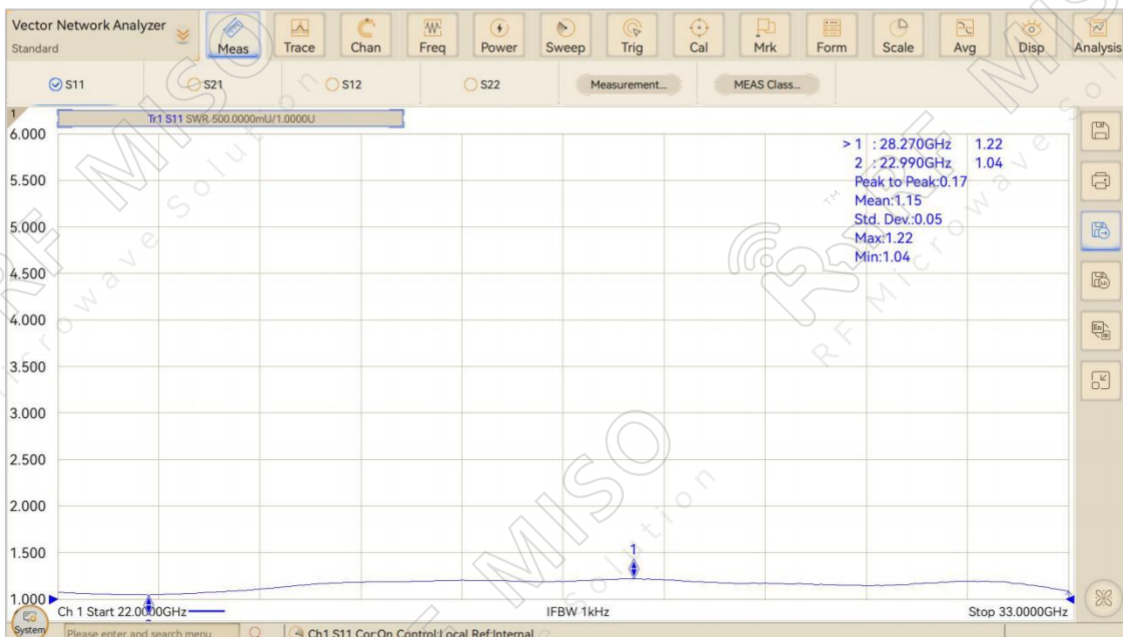
**RM-WCA34**

**Outline Drawing**



**Test Data**

**VSWR**



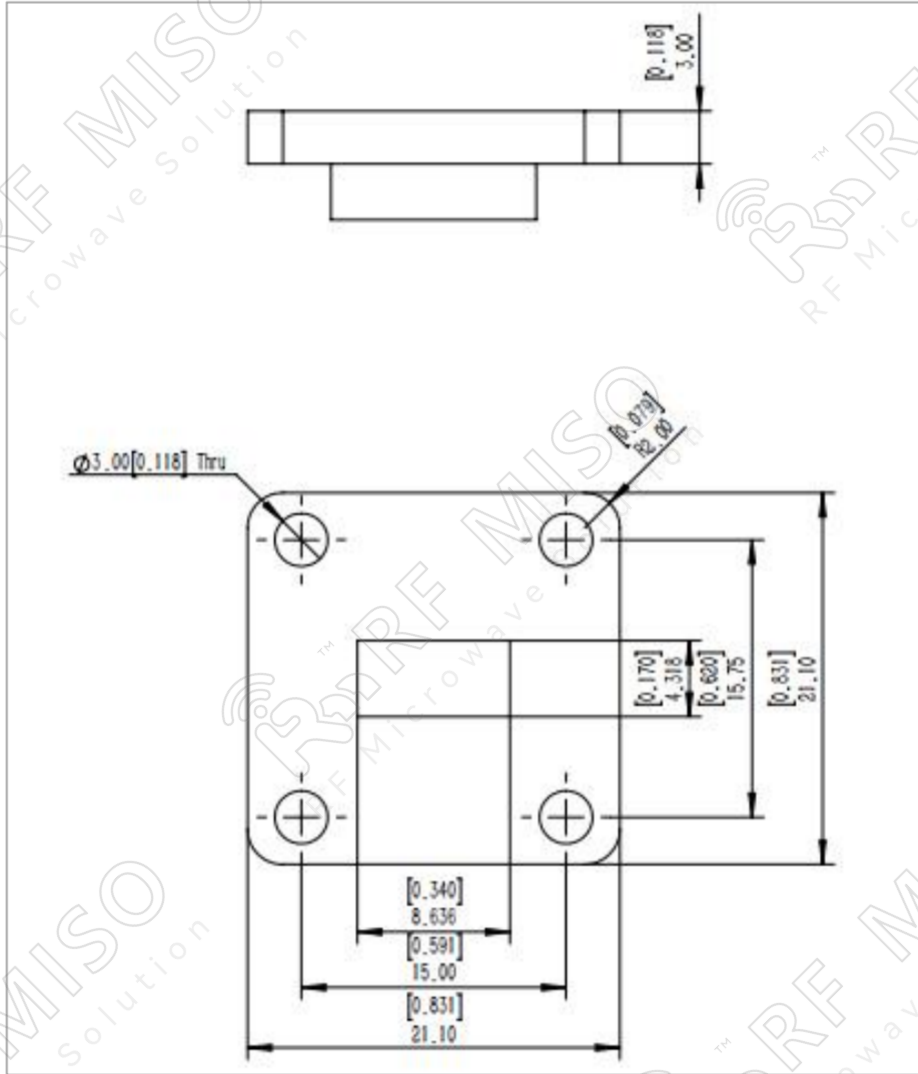


Waveguide to Coaxial Adapter  
22-33GHz Frequency Range

**Waveguide to Coaxial Adapter Date Sheet**

**RM-WCA34**

**Flange Outline Drawing**



FBP260