



Waveguide to Coaxial Adapter  
18-26.5GHz Frequency Range

## Waveguide to Coaxial Adapter Data Sheet

**RM-WCA42**

### Features

- Full Waveguide Band Performance
- Low Insertion Loss and VSWR
- Test Lab
- Instrumentation

### Descriptions

The **RM-WCA42** are right angle (90°) waveguide to coaxial adapters that operate the frequency range of 18-26.5GHz. They are designed and manufactured for instrumentation grade quality but offered at a commercial grade price, allowing for an efficient transition between the rectangular waveguide and SMA-Female coaxial connector.

### Specifications

RM-WCA42		
Item	Specification	Units
Frequency Range	18-26.5	GHz
Waveguide	WR42	dBi
VSWR	1.3 Max	
Insertion Loss	0.4 Max	dB
Flange	FBP220	
Connector	SMA-Female	
Average Power	50 Max	W
Peak Power	0.1	kW
Material	Al	
Size(L*W*H)	19.6*27.2*22.4(±5)	mm
Net Weight	0.012	Kg

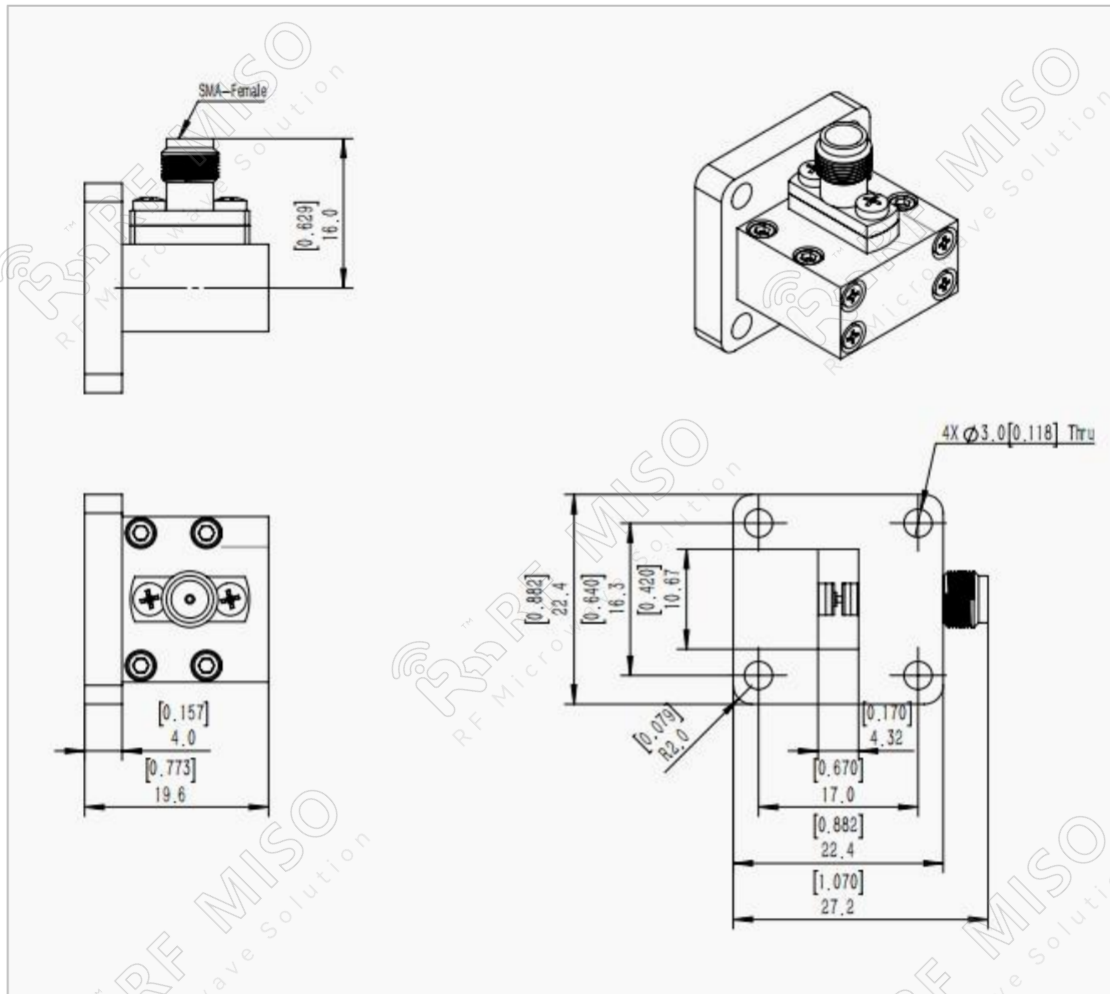


Waveguide to Coaxial Adapter  
18-26.5GHz Frequency Range

**Waveguide to Coaxial Adapter Data Sheet**

**RM-WCA42**

**Outline Drawing**





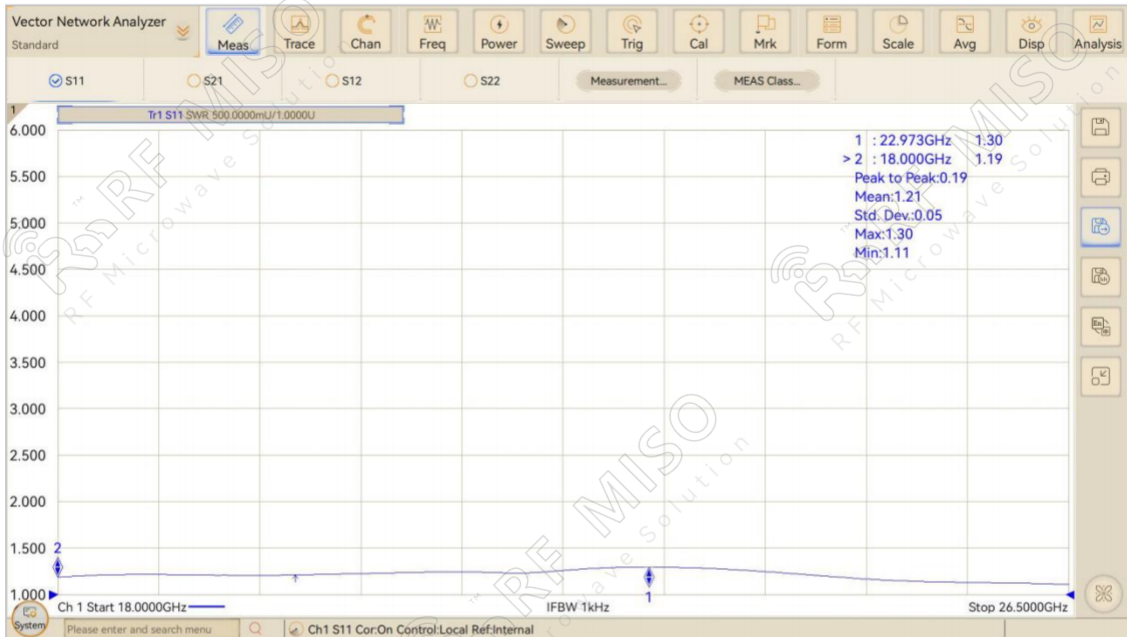
Waveguide to Coaxial Adapter  
18-26.5GHz Frequency Range

## Waveguide to Coaxial Adapter Data Sheet

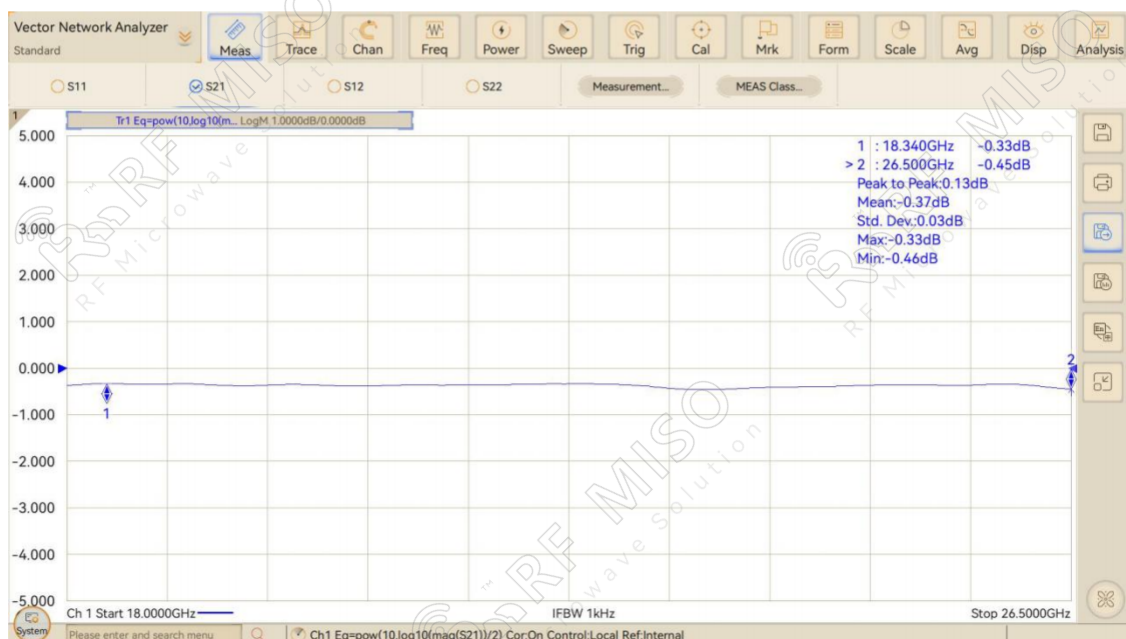
**RM-WCA42**

### Test Data

#### VSWR



#### Insertion Loss



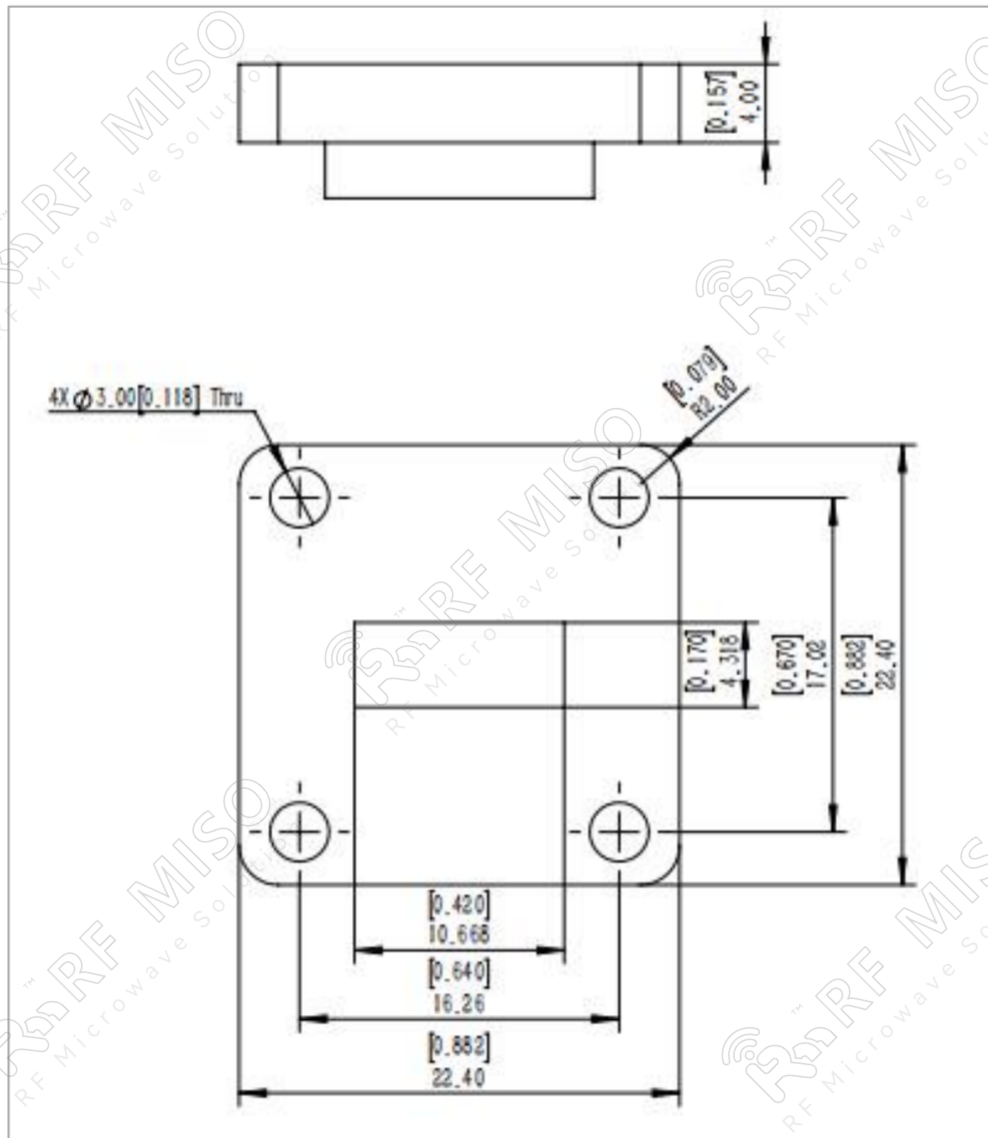


Waveguide to Coaxial Adapter  
18-26.5GHz Frequency Range

**Waveguide to Coaxial Adapter Data Sheet**

**RM-WCA42**

**Flange Outline Drawing**



FBP220