



Waveguide to Coaxial Adapter  
1.7-2.6GHz Frequency Range

## Waveguide to Coaxial Adapter Date Sheet

**RM-WCA430**

### Features

- Full Waveguide Band Performance
- Low Insertion Loss and VSWR
- Test Lab
- Instrumentation

### Descriptions

The **RM-WCA430** are right angle (90°) waveguide to coaxial adapters that operate the frequency range of 1.7-2.6GHz. They are designed and manufactured for instrumentation grade quality but offered at a commercial grade price, allowing for an efficient transition between the rectangular waveguide and N-K coaxial connector.

### Specifications

RM-WCA430		
Item	Specification	Units
Frequency Range	1.7-2.6	GHz
Waveguide	WR430	dBi
VSWR	1.3 Max	
Insertion Loss	0.2 Max	dB
Flange	FDP22	
Connector	N-K	
Average Power	300 Max	W
Peak Power	3	kW
Material	Al	
Size	151*161.1*108.2	mm
Net Weight	0.979	Kg

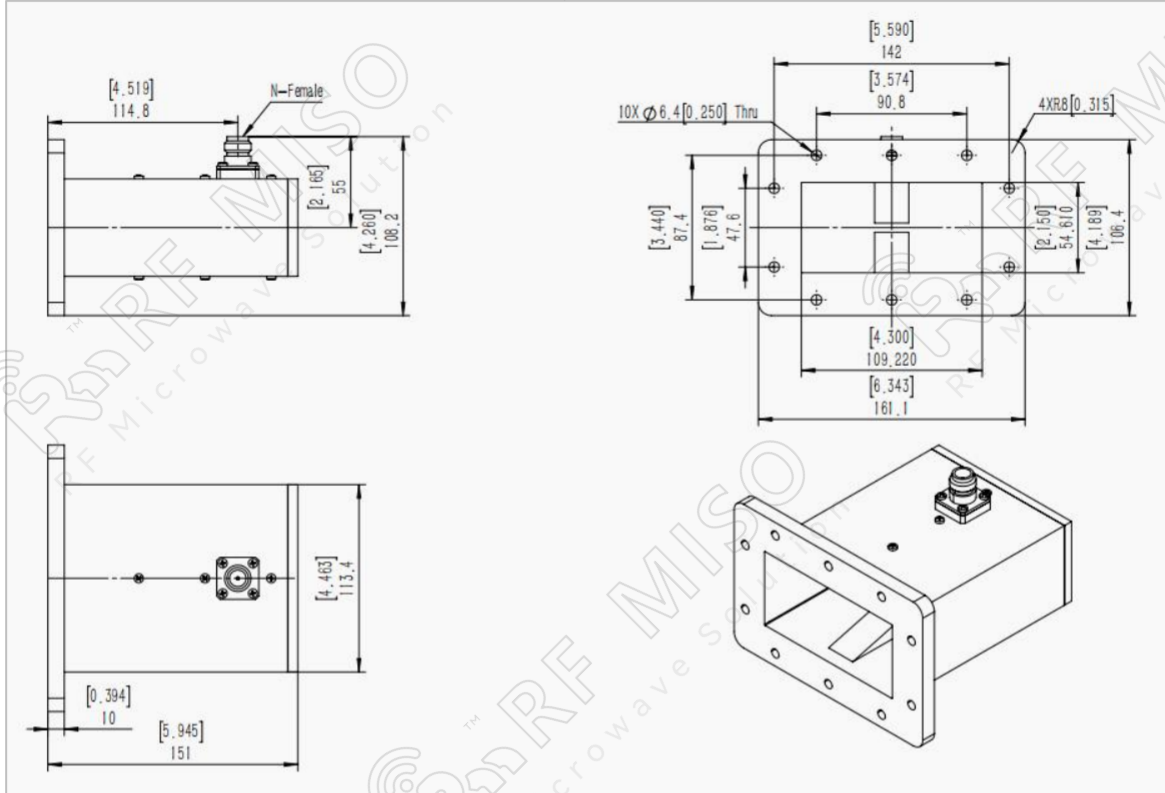


Waveguide to Coaxial Adapter  
1.7-2.6GHz Frequency Range

**Waveguide to Coaxial Adapter Date Sheet**

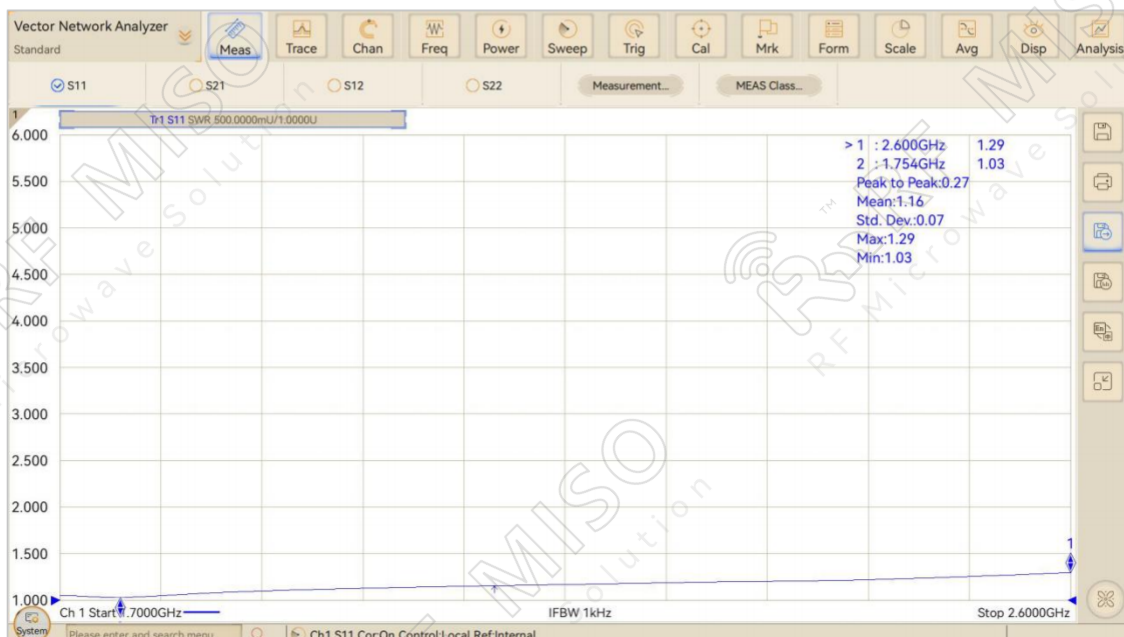
**RM-WCA430**

**Outline Drawing**



**Test Data**

**VSWR**



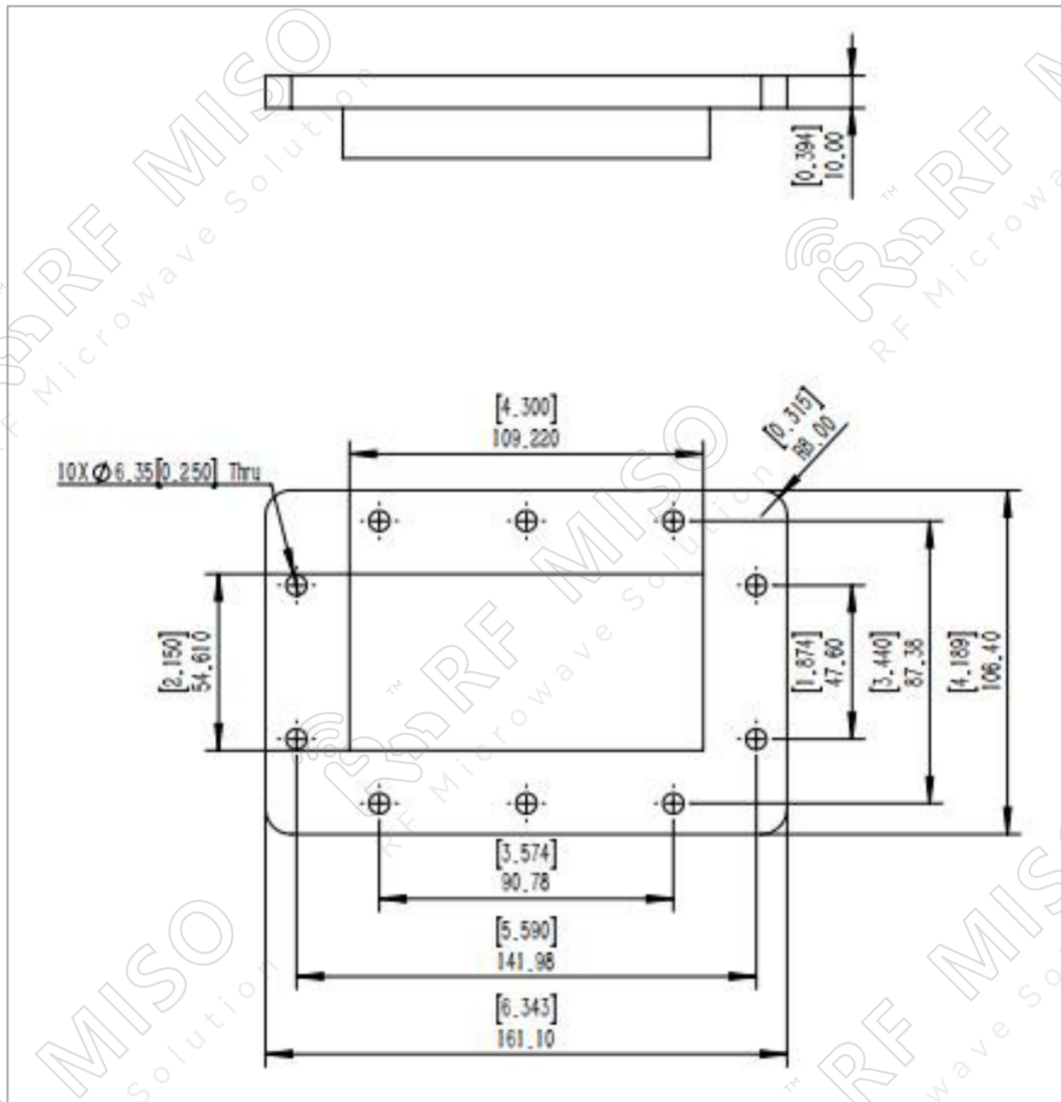


Waveguide to Coaxial Adapter  
1.7-2.6GHz Frequency Range

**Waveguide to Coaxial Adapter Date Sheet**

**RM-WCA430**

**Flange Outline Drawing**



FDP22