



Waveguide to Coaxial Adapter
1.7-2.6GHz Frequency Range

Waveguide to Coaxial Adapter Data sheet

RM-WCA430

Features

- Full Waveguide Band Performance
- Low Insertion Loss and VSWR
- Test Lab
- Instrumentation

Descriptions

The **RM-WCA430** are right angle (90°) waveguide to coaxial adapters that operate the frequency range of 1.7-2.6GHz. They are designed and manufactured for instrumentation grade quality but offered at a commercial grade price, allowing for an efficient transition between the rectangular waveguide and SMA-Female coaxial connector.

Specifications

RM-WCA430		
Item	Specification	Units
Frequency Range	1.7-2.6	GHz
Waveguide	WR430	dBi
VSWR	1.3 Max	
Insertion Loss	0.2 Max	dB
Flange	FDP22	
Connector	SMA-Female	
Average Power	300 Max	W
Peak Power	3	kW
Material	Al	
Size	161.1*124.1*106.4	mm
Net Weight	0.901	Kg

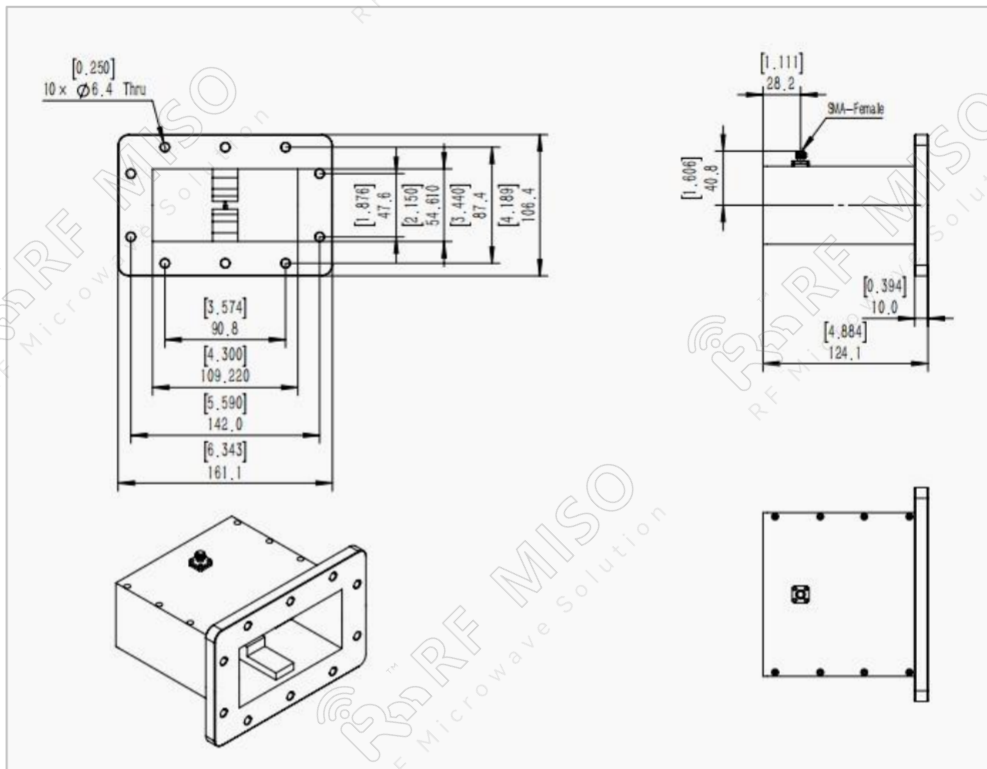


Waveguide to Coaxial Adapter
1.7-2.6GHz Frequency Range

Waveguide to Coaxial Adapter Data sheet

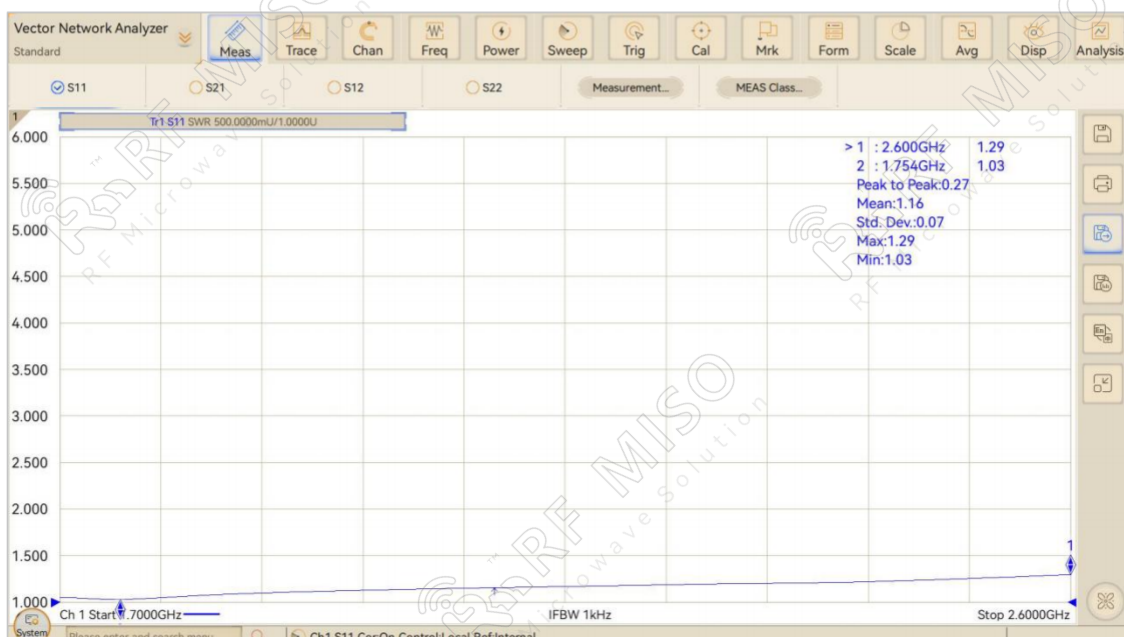
RM-WCA430

Outline Drawing



Test Data

VSWR

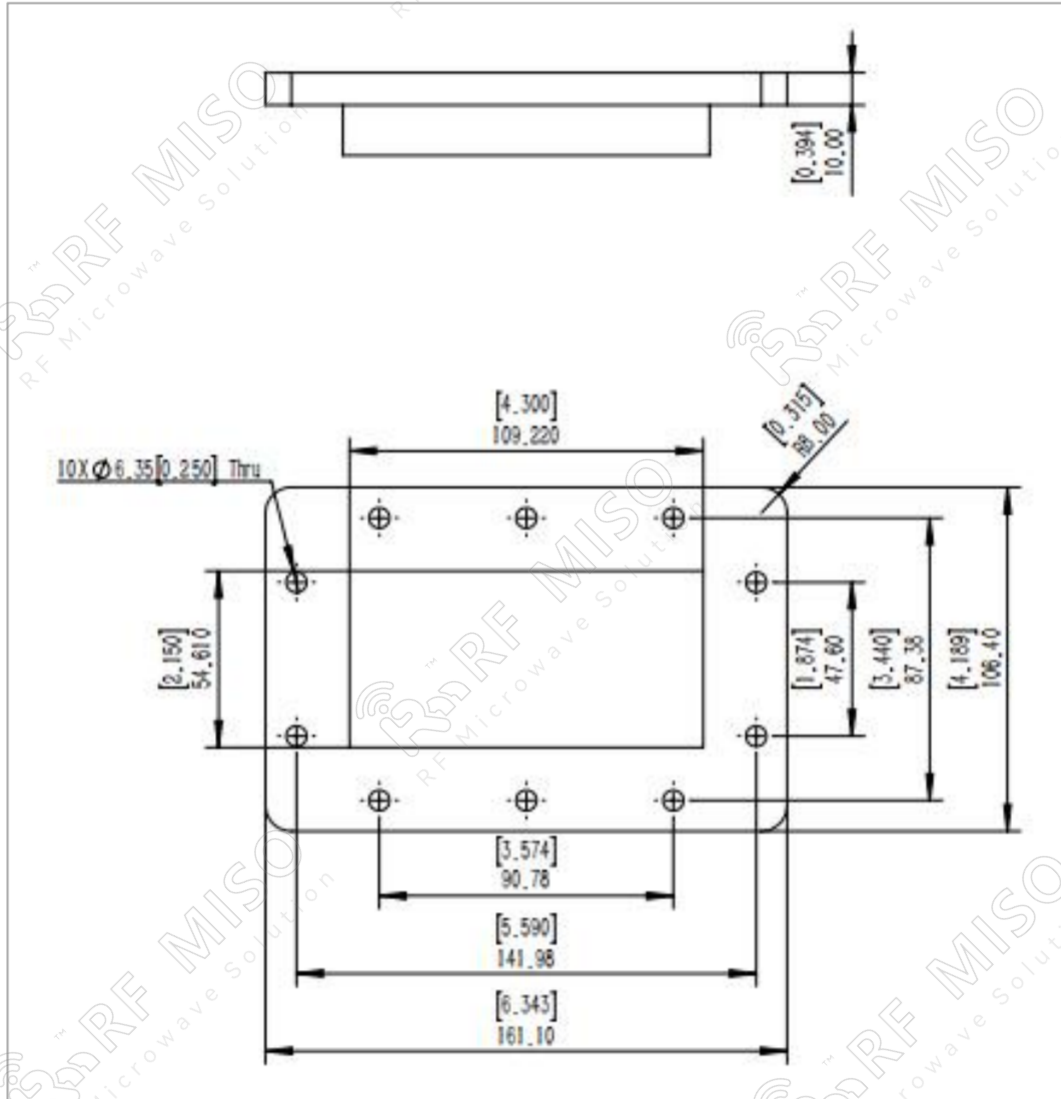




Waveguide to Coaxial Adapter Data sheet

RM-WCA430

Flange Outline Drawing



FDP22