



Waveguide to Coaxial Adapter
10-15GHz Frequency Range

Waveguide to Coaxial Adapter Data Sheet

RM-WCA75

Features

- Full Waveguide Band Performance
- Low Insertion Loss and VSWR
- Test Lab
- Instrumentation

Descriptions

The **RM-WCA75** are right angle (90°) waveguide to coaxial adapters that operate the frequency range of 10-15GHz. They are designed and manufactured for instrumentation grade quality but offered at a commercial grade price, allowing for an efficient transition between the rectangular waveguide and SMA-Female coaxial connector.

Specifications

RM-WCA75		
Item	Specification	Units
Frequency Range	10-15	GHz
Waveguide	WR75	dBi
VSWR	1.3 Max	
Insertion Loss	0.35 Max	dB
Flange	FBP120	
Connector	SMA-Female	
Average Power	150 Max	W
Peak Power	3	kW
Material	Al	
Size	38*23.9*38.1	mm
Net Weight	0.02	Kg

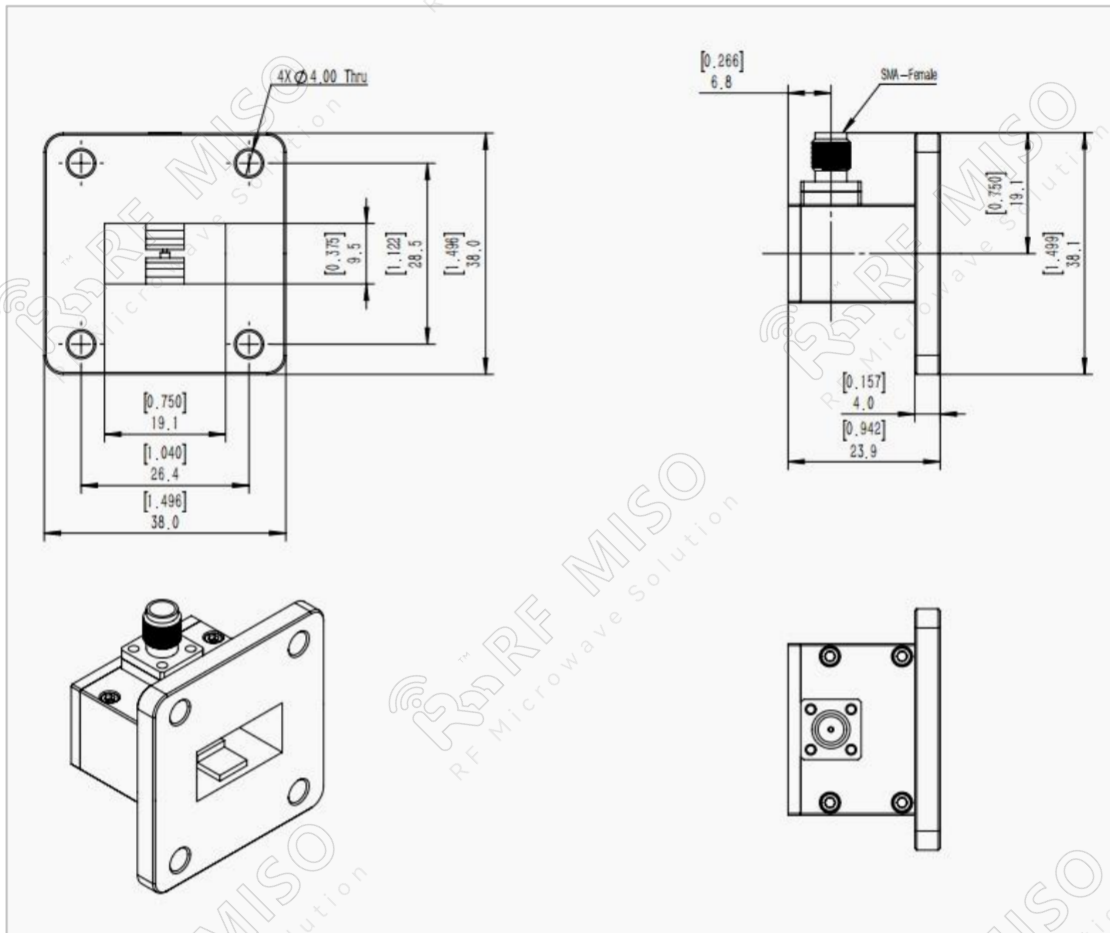


Waveguide to Coaxial Adapter
10-15GHz Frequency Range

Waveguide to Coaxial Adapter Data Sheet

RM-WCA75

Outline Drawing





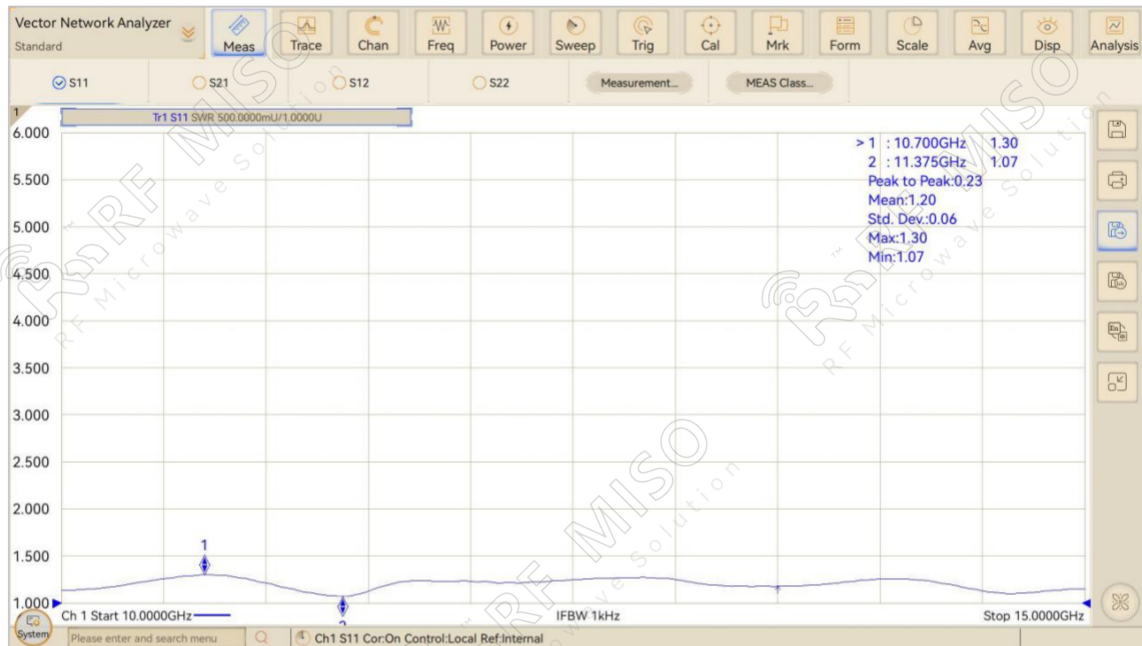
Waveguide to Coaxial Adapter
10-15GHz Frequency Range

Waveguide to Coaxial Adapter Data Sheet

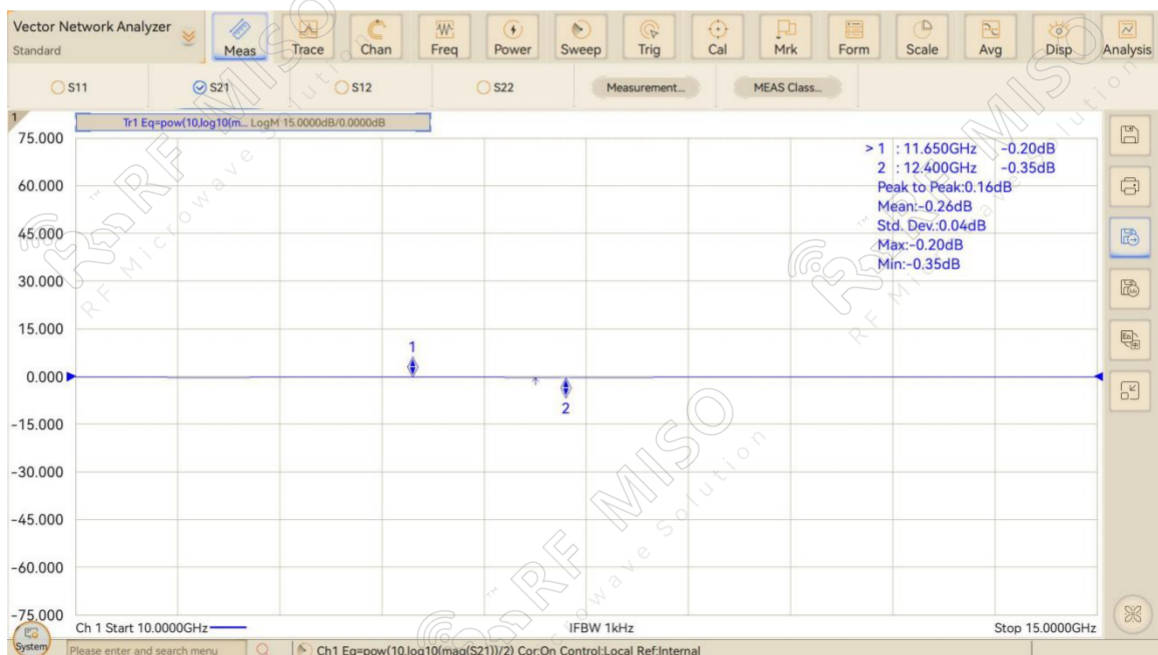
RM-WCA75

Test Data

VSWR



Insertion Loss



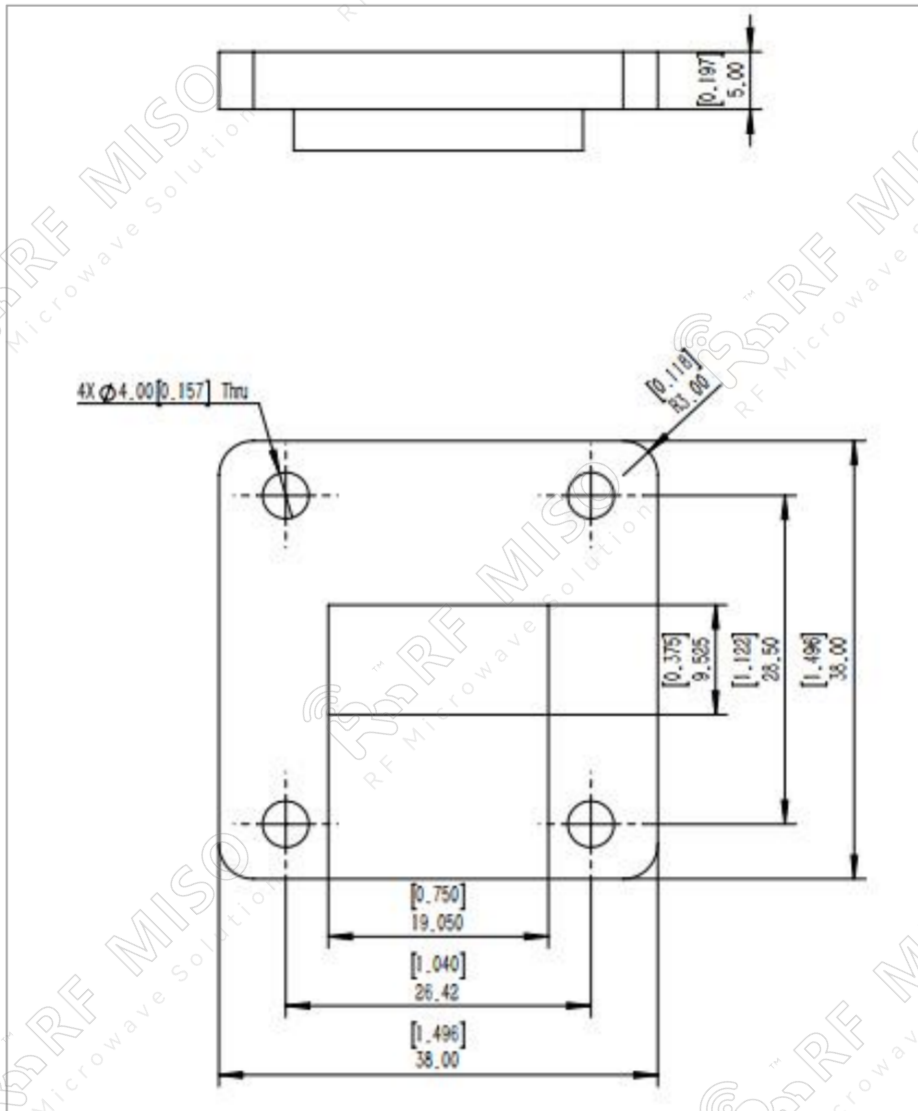


Waveguide to Coaxial Adapter
10-15GHz Frequency Range

Waveguide to Coaxial Adapter Data Sheet

RM-WCA75

Flange Outline Drawing



FBP120