



Waveguide to Coaxial Adapter
8.2-12.4GHz Frequency Range

Waveguide to Coaxial Adapter Date Sheet

RM-WCA90

Features

- Full Waveguide Band Performance
- Low Insertion Loss and VSWR
- Test Lab
- Instrumentation

Descriptions

The **RM-WCA90** are right angle (90°) waveguide to coaxial adapters that operate the frequency range of 8.2-12.4GHz. They are designed and manufactured for instrumentation grade quality but offered at a commercial grade price, allowing for an efficient transition between the rectangular waveguide and SMA-K/3.5mm-K coaxial connector.

Specifications

RM-WCA90		
Item	Specification	Units
Frequency Range	8.2-12.4	GHz
Waveguide	WR90	dBi
VSWR	1.3 Max	
Insertion Loss	0.35 Max	dB
Flange	FBP100	
Connector	SMA-K/3.5mm-K	
Average Power	3.5mm-K: 50 Max	W
Peak Power	3.5mm-K: 3	kW
Material	Al	
Size	37.3*41.4*41.4	mm
Net Weight	0.056	Kg

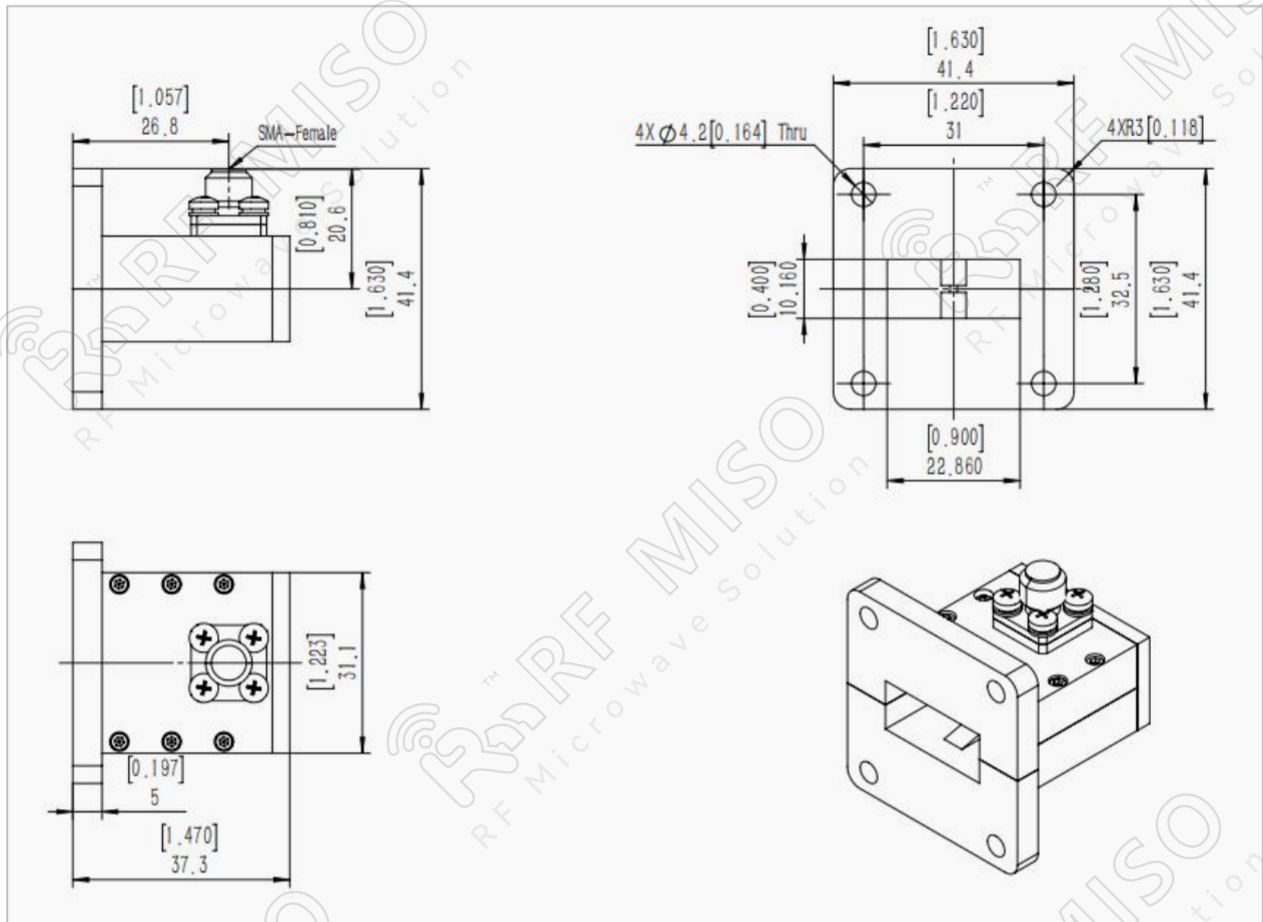


Waveguide to Coaxial Adapter
8.2-12.4GHz Frequency Range

Waveguide to Coaxial Adapter Date Sheet

RM-WCA90

Outline Drawing





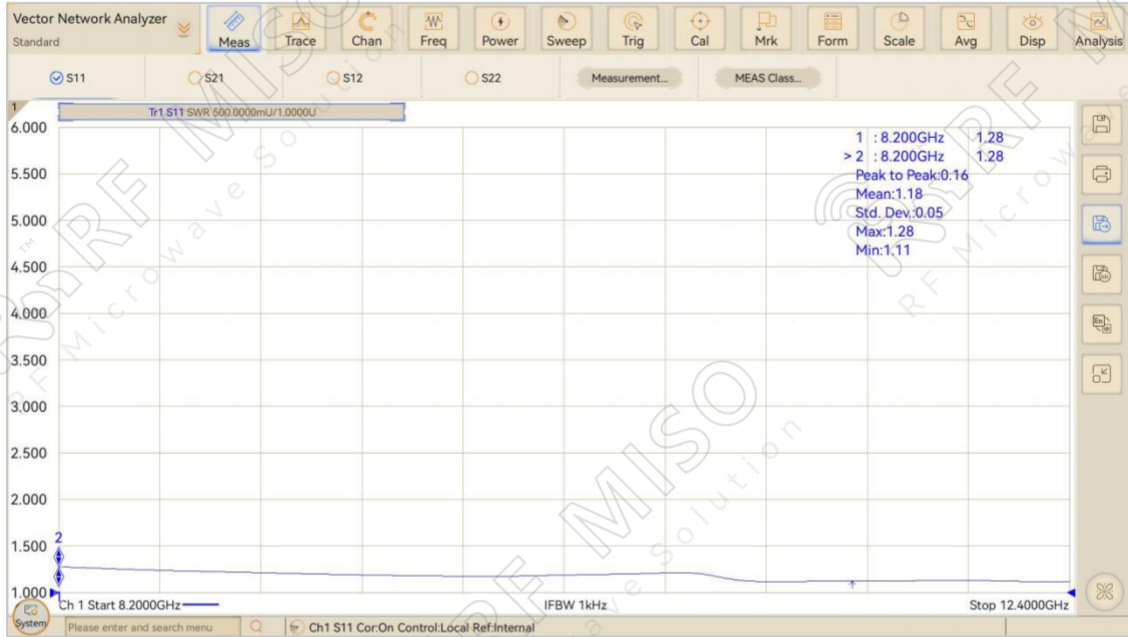
Waveguide to Coaxial Adapter
8.2-12.4GHz Frequency Range

Waveguide to Coaxial Adapter Date Sheet

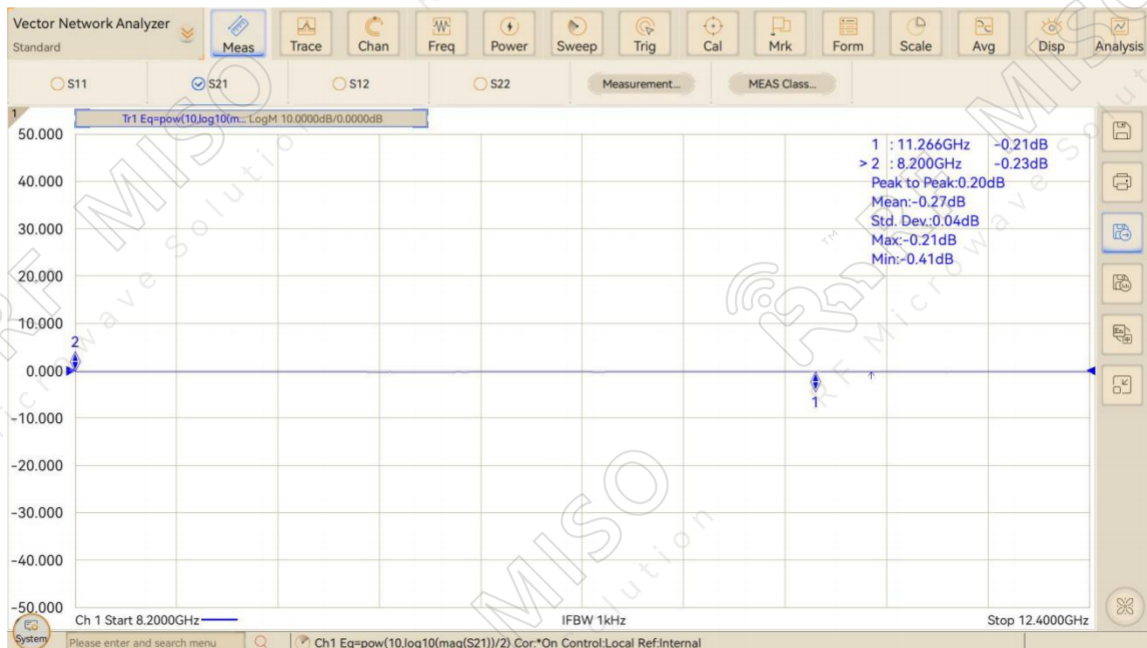
RM-WCA90

Test Data

VSWR



Insertion Loss



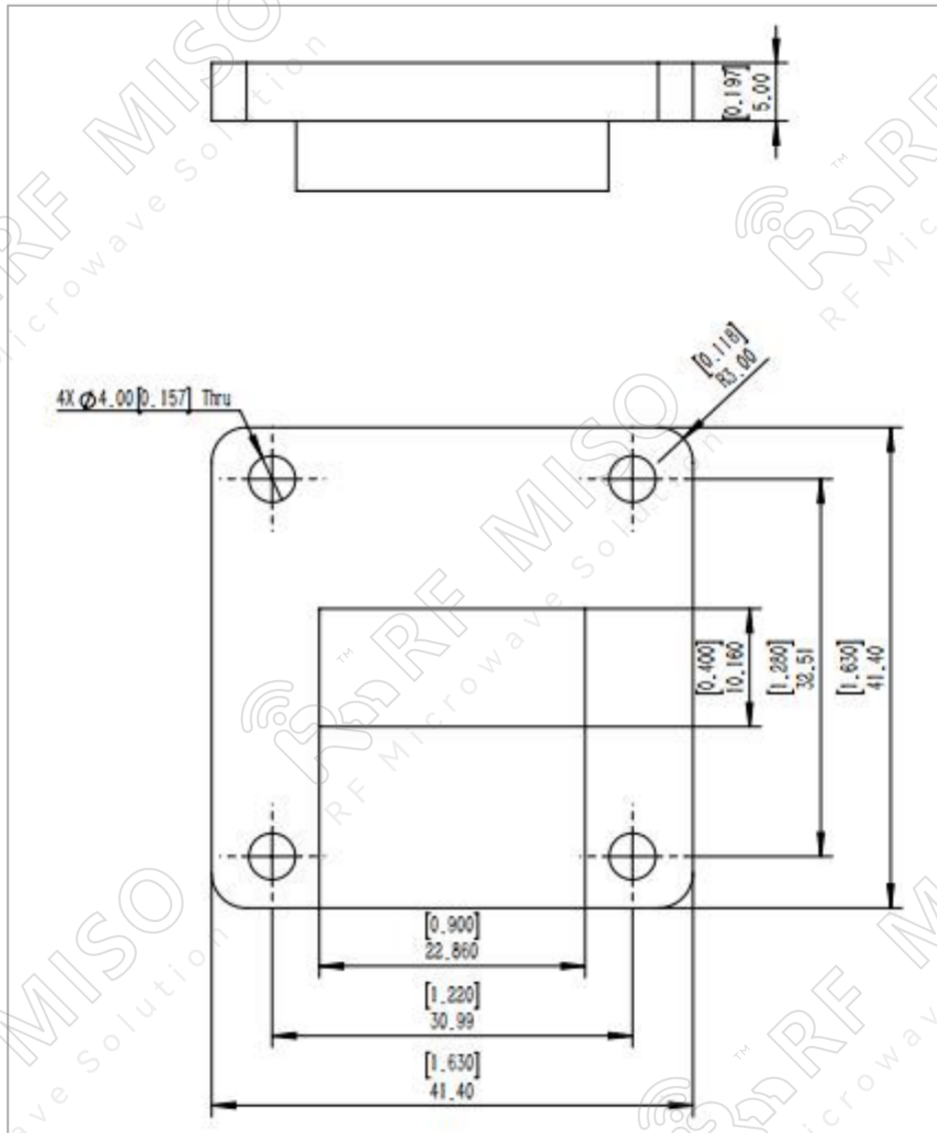


Waveguide to Coaxial Adapter
8.2-12.4GHz Frequency Range

Waveguide to Coaxial Adapter Date Sheet

RM-WCA90

Flange Outline Drawing



FBP100