



Waveguide to Coaxial Adapter  
8.2-12.4GHz Frequency Range

## Waveguide to Coaxial Adapter Data Sheet

**RM-WCA90**

### Features

- Full Waveguide Band Performance
- Low Insertion Loss and VSWR
- Test Lab
- Instrumentation

### Descriptions

The **RM-WCA90** are right angle (90°) waveguide to coaxial adapters that operate the frequency range of 8.2-12.4GHz. They are designed and manufactured for instrumentation grade quality but offered at a commercial grade price, allowing for an efficient transition between the rectangular waveguide and SMA-Female coaxial connector.

### Specifications

RM-WCA90		
Item	Specification	Units
Frequency Range	8.2-12.4	GHz
Waveguide	WR90	dBi
VSWR	1.3 Max	
Insertion Loss	0.35 Max	dB
Flange	FBP100	
Connector	SMA-Female	
Average Power	50 Max	W
Peak Power	3	kW
Material	Al	
Size	29.3*41.4*41.4	mm
Net Weight	0.053	Kg

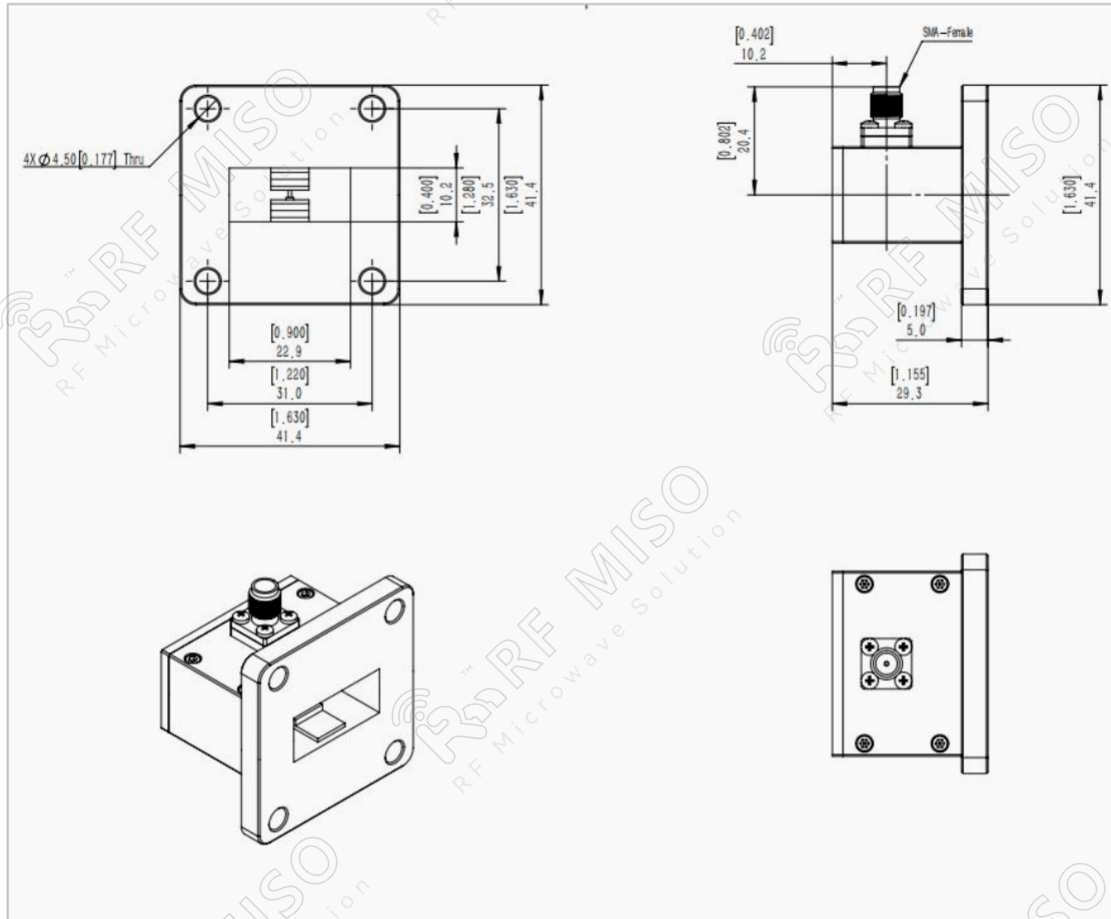


Waveguide to Coaxial Adapter  
8.2-12.4GHz Frequency Range

**Waveguide to Coaxial Adapter Data Sheet**

**RM-WCA90**

**Outline Drawing**





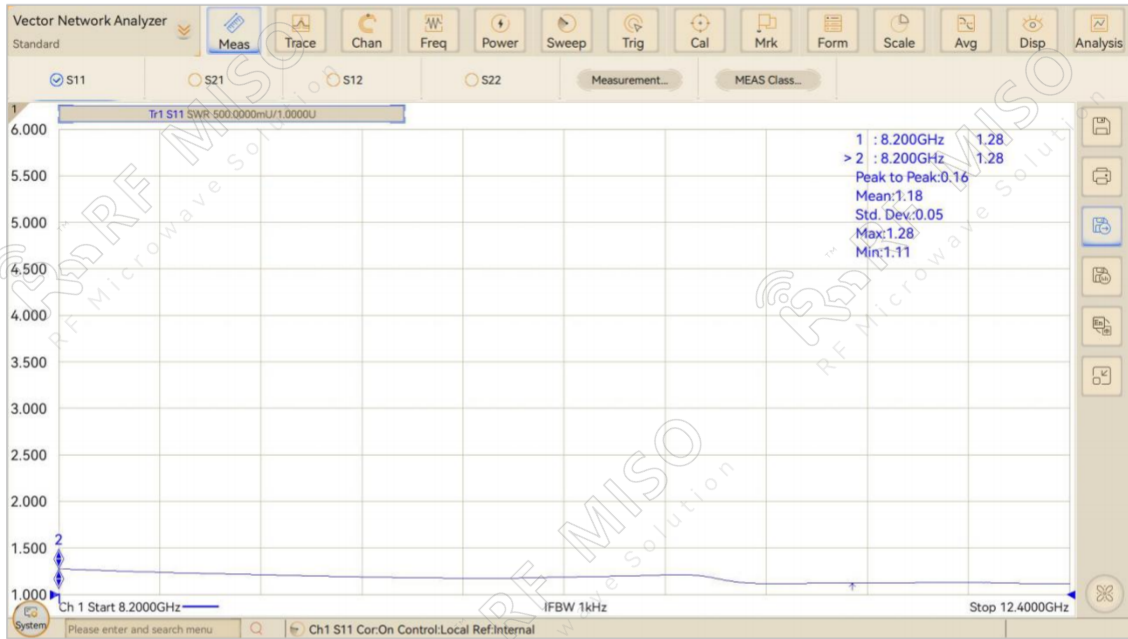
Waveguide to Coaxial Adapter  
8.2-12.4GHz Frequency Range

## Waveguide to Coaxial Adapter Data Sheet

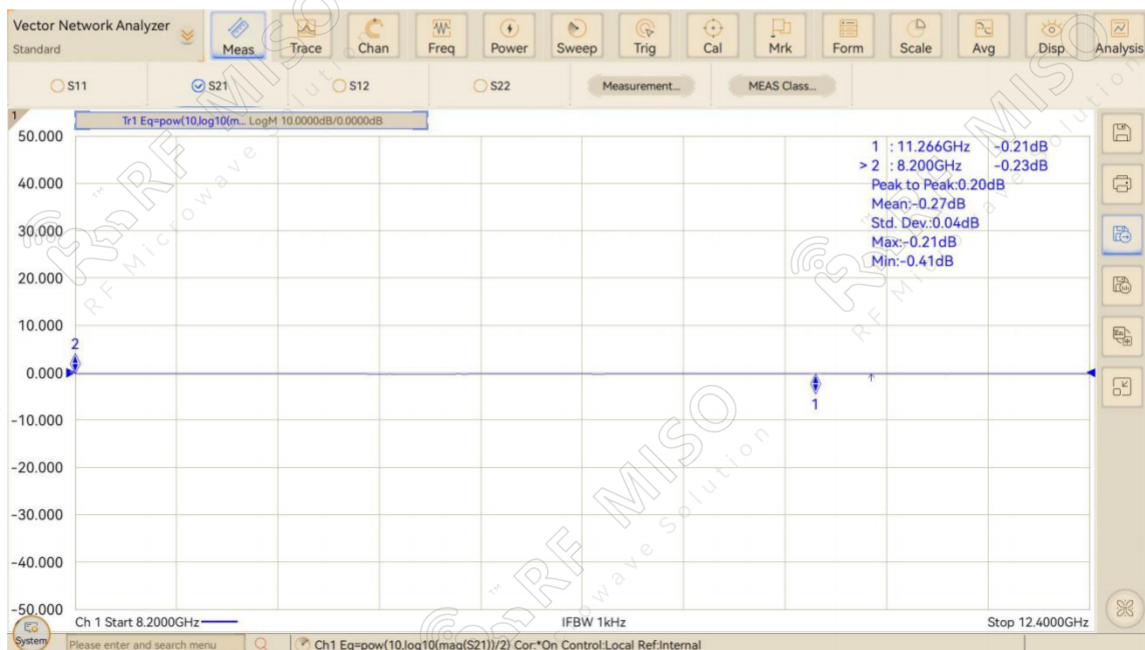
**RM-WCA90**

### Test Data

#### VSWR



#### Insertion Loss



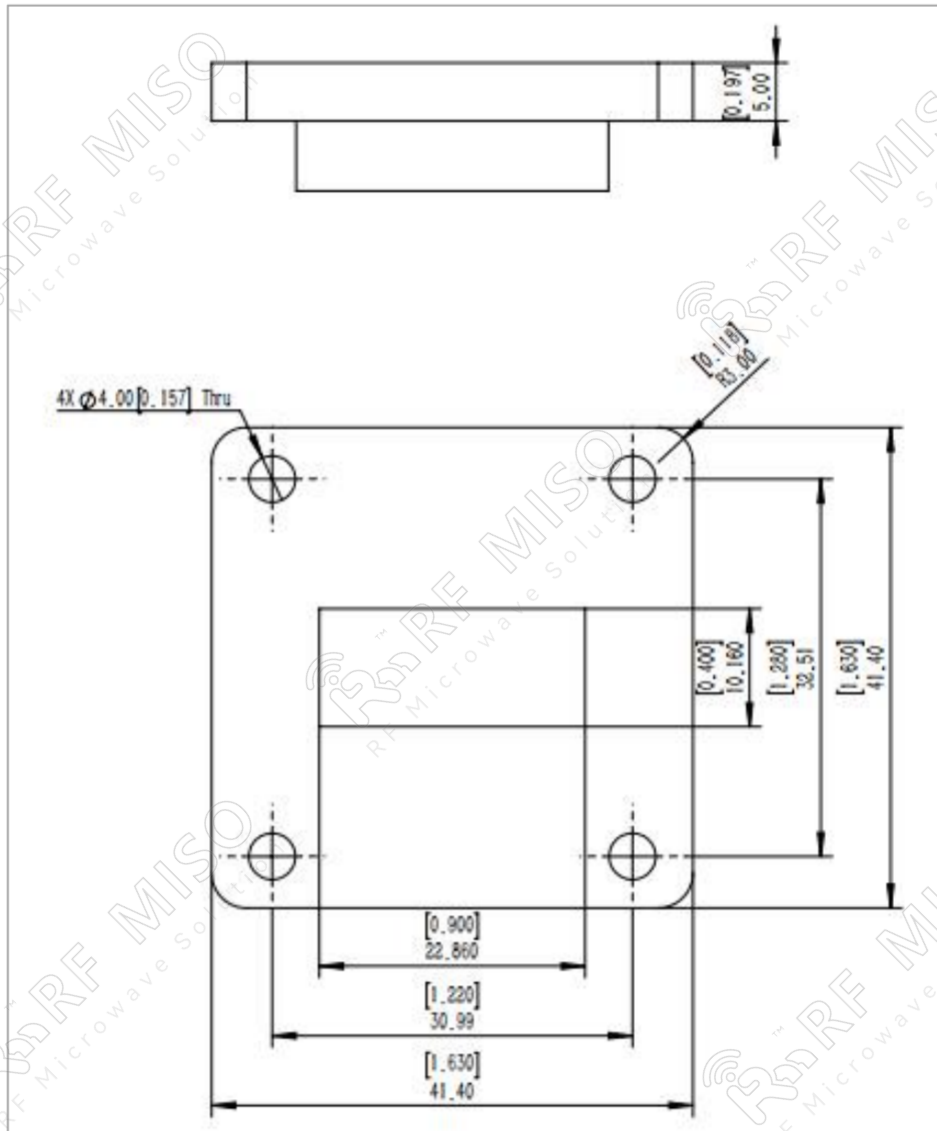


Waveguide to Coaxial Adapter  
8.2-12.4GHz Frequency Range

**Waveguide to Coaxial Adapter Data Sheet**

**RM-WCA90**

**Flange Outline Drawing**



FBP100