

## 4.9-7.1GHz Waveguide Load, Rectangular Waveguide Interface

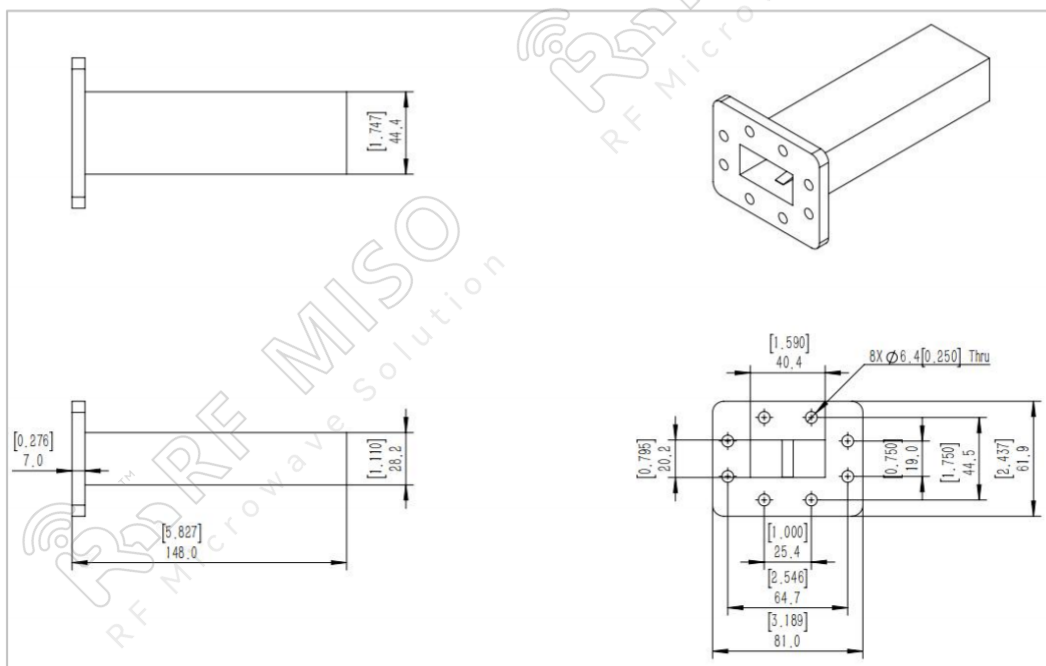
### Waveguide Load

**RM-WL4971-43**

### Specifications

RM-WL4971-43		
Parameters	Specification	Unit
Frequency Range	4.9-7.1	GHz
VSWR	1.015Max	
Waveguide	WR159	
Return Loss	< -43dB	dB
Size	148*81*61.9	mm
Weight	0.270	Kg
Avg. Power	750	W
Peak Power	7.5	KW

### Outline Drawing



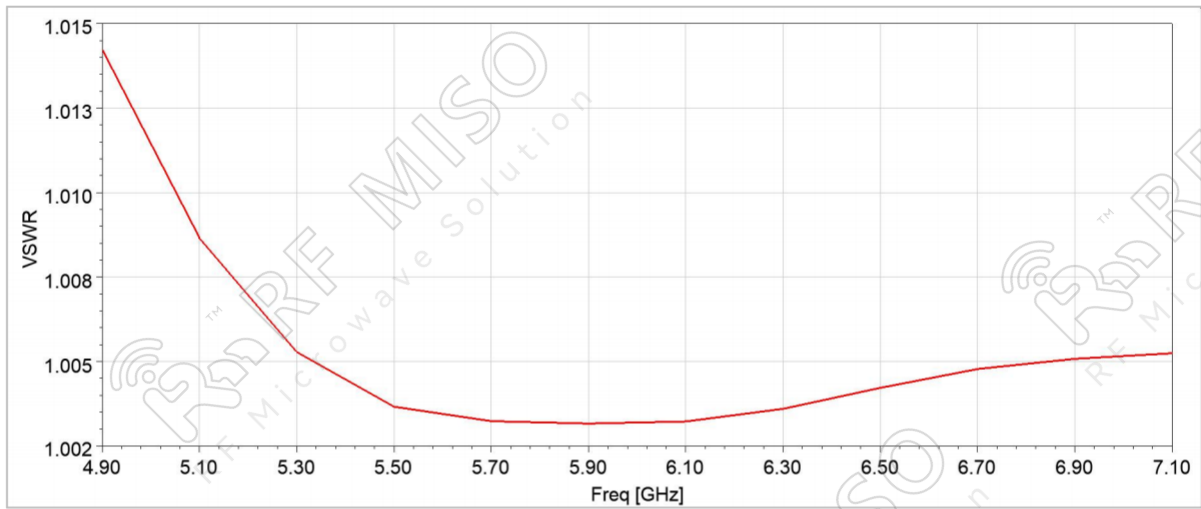
## 4.9-7.1GHz Waveguide Load, Rectangular Waveguide Interface

### Waveguide Load

**RM-WL4971-43**

#### Simulated Results

##### VSWR



##### Return Loss

