

WR28 Waveguide Low-Medium Power Load 26.5-40GHz with Rectangular Waveguide Interface

Waveguide Load

RM-WLD28-5

Description

RM-WLD28-5 Waveguide load , operating from 26.5 to 40GHz and low VSWR 1.03:1. It comes with one flange FBP320. It can handle 5W continuously and 5KW peak power. With low VSWR and lightweight features, it is ideal for use in system or test bench setups and as small medium power dummy loads.

Specifications

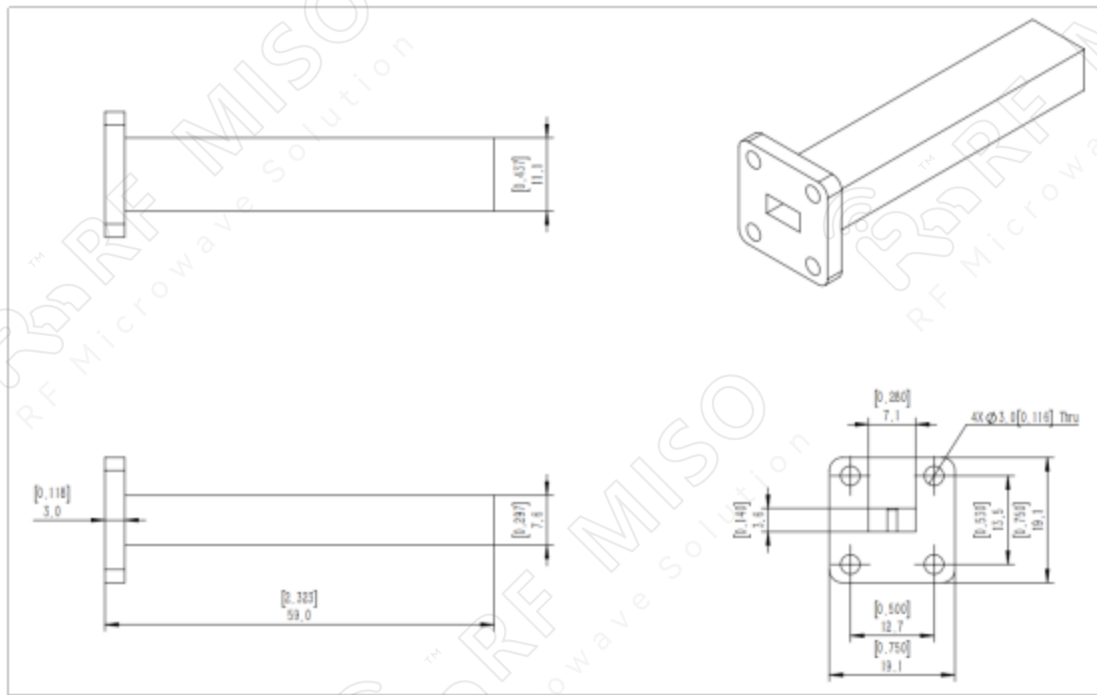
RM-WLD28-5		
Parameters	Specification	Unit
Frequency Range	26-40	GHz
VSWR	<1.2	
Waveguide	WR28	
Material	Cu	
Size(L*W*H)	59*19.1*19.1	mm
Weight	0.013	Kg
Avg. Power	5	W
Peak Power	5	KW

WR28 Waveguide Low-Medium Power Load
26.5-40GHz with Rectangular Waveguide Interface

Waveguide Load

RM-WLD28-5

Outline Drawing



Simulated Results

VSWR

