

WR28 Waveguide Medium Power Load 26.5-40GHz with Rectangular Waveguide Interface

Waveguide Load

RM-WLD28-75

Description

RM-WLD28-75 Waveguide load , operating from 26.5 to 40GHz and low VSWR 1.01:1. It comes with one flange FBP320. It can handle 75W continuously and 50KW peak power. With low VSWR and lightweight features, it is ideal for use in system or test bench setups and as small medium power dummy loads.

Specifications

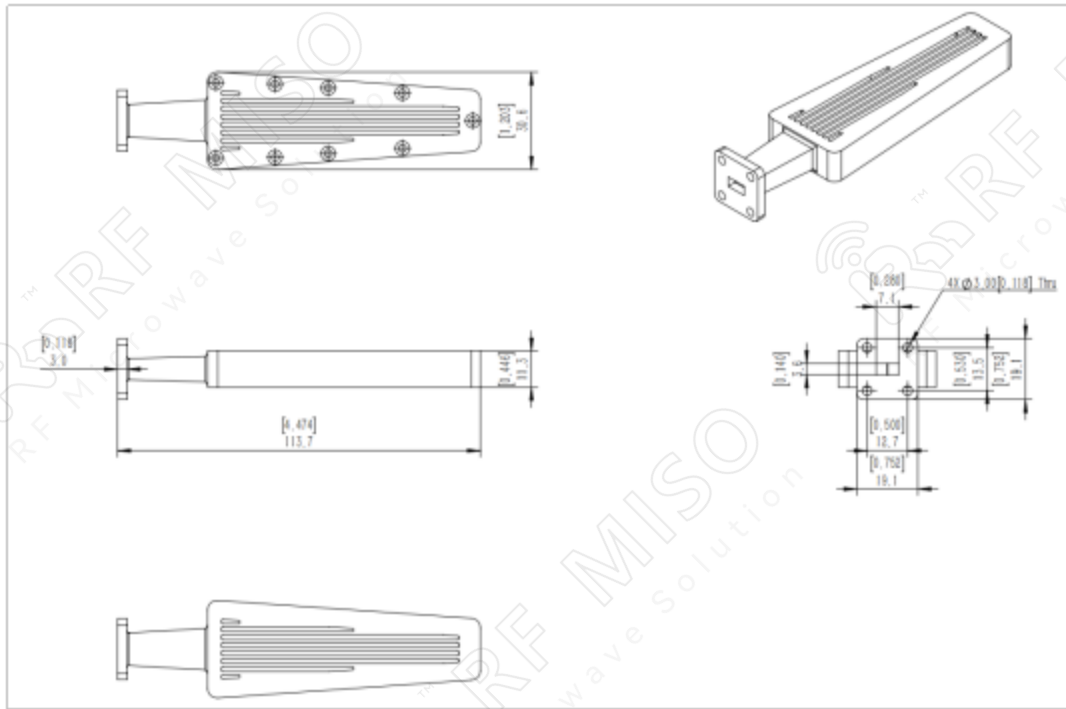
RM-WLD28-75		
Parameters	Specification	Unit
Frequency Range	26-40	GHz
VSWR	<1.2	
Waveguide	WR28	
Material	Al	
Size(L*W*H)	113.7*30.6*19.1	mm
Weight	0.007	Kg
Avg. Power	75	W
Peak Power	50	KW

WR28 Waveguide Medium Power Load
26.5-40GHz with Rectangular Waveguide Interface

Waveguide Load

RM-WLD28-75

Outline Drawing (Note:Heat sink on both sides)



Simulated Results

VSWR

