

WR42 Waveguide Low Power Load 18-26.5GHz with Rectangular Waveguide Interface

Waveguide Load

RM-WLD42-2

Description

RM-WLD42-2 Waveguide load , operating from 18 to 26.5GHz and low VSWR 1.03:1. It comes with one flange FBP220. It can handle 2W continuously and 0.5KW peak power. With low VSWR and lightweight features, it is ideal for use in system or test bench setups and as small medium power dummy loads.

Specifications

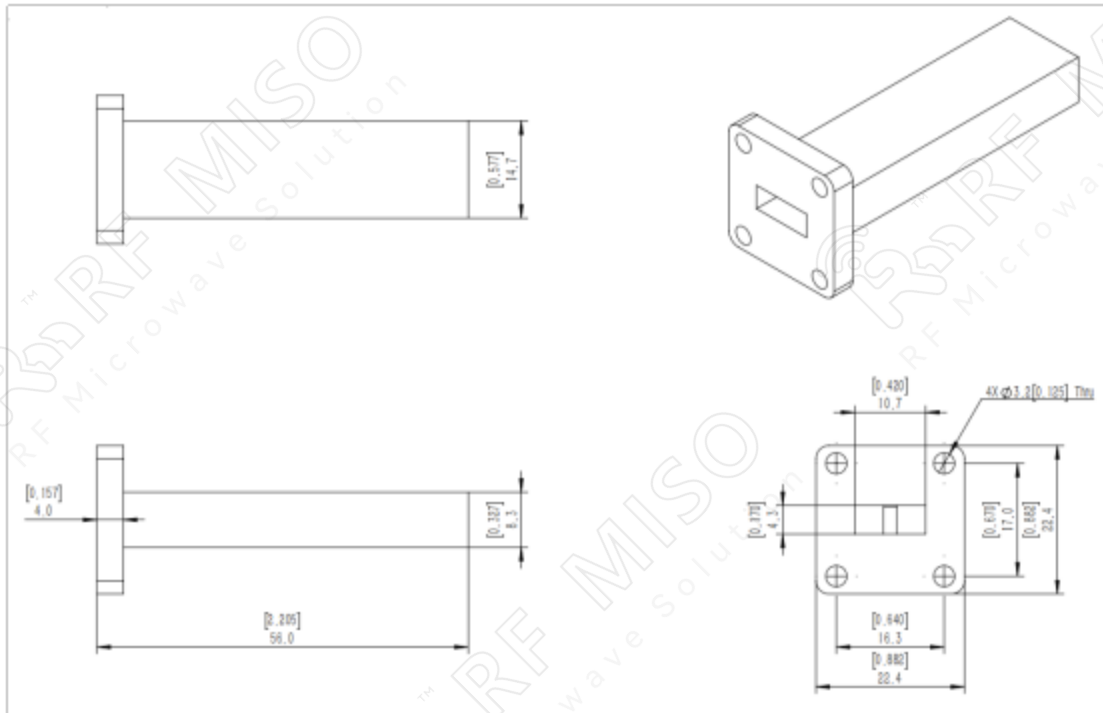
RM-WLD42-2		
Parameters	Specification	Unit
Frequency Range	18-26.5	GHz
VSWR	<1.1	
Waveguide Size	WR42	
Material	Cu	
Size(L*W*H)	56*22.4*22.4	mm
Weight	0.02	Kg
Avg. Power	2	W
Peak Power	0.5	KW

WR42 Waveguide Low Power Load
18-26.5GHz with Rectangular Waveguide Interface

Waveguide Load

RM-WLD42-2

Outline Drawing



Simulated Results

VSWR

