

## WR75 Waveguide Low Power Load 10-15GHz with Rectangular Waveguide Interface

### Waveguide Load

**RM-WLD75-2**

#### Description

RM-WLD75-2 Waveguide load , operating from 10 to 15GHz and low VSWR 1.05:1. It comes with one flange FBP120. It can handle 2W continuously and 2KW peak power. With low VSWR and lightweight features, it is ideal for use in system or test bench setups and as small medium power dummy loads.

#### Specifications

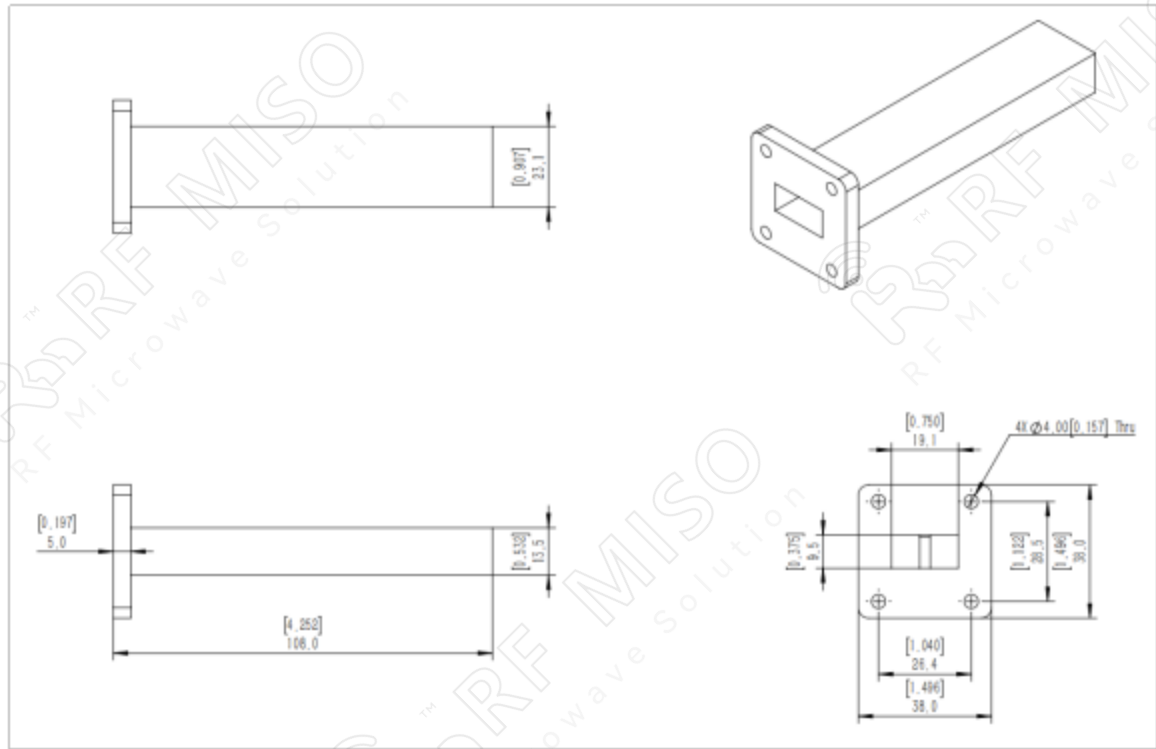
RM-WLD75-2		
Parameters	Specification	Unit
Frequency Range	10-15	GHz
VSWR	<1.1	
Waveguide Size	WR75	
Material	Cu	
Size(L*W*H)	108*38*38	mm
Weight	0.073	Kg
Avg. Power	2	W
Peak Power	2	KW

WR75 Waveguide Low Power Load  
10-15GHz with Rectangular Waveguide Interface

**Waveguide Load**

**RM-WLD75-2**

**Outline Drawing**



**Simulated Results**

**VSWR**

