

## WR90 Waveguide Low Power Load 8.2-12.4GHz with Rectangular Waveguide Interface

### Waveguide Load

**RM-WLD90-2**

#### Description

RM-WLD90-2 Waveguide load , operating from 8.2 to 12.4GHz and low VSWR 1.03:1. It comes with one flange FBP100. It can handle 2W continuously and 2KW peak power. With low VSWR and lightweight features, it is ideal for use in system or test bench setups and as small medium power dummy loads.

#### Specifications

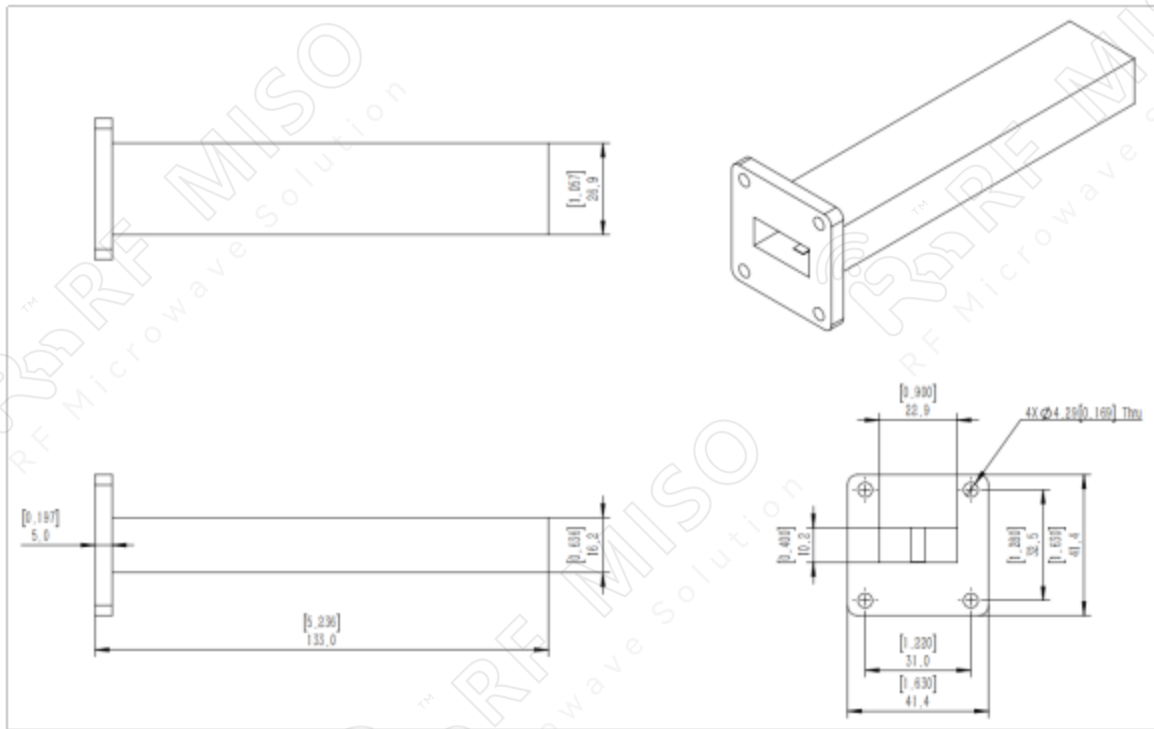
RM-WLD90-2		
Parameters	Specification	Unit
Frequency Range	8.2-12.4	GHz
VSWR	<1.1	
Waveguide Size	WR90	
Material	Al	
Size(L*W*H)	133*41.4*41.4	mm
Weight	0.036	Kg
Avg. Power	2	W
Peak Power	2	KW

WR90 Waveguide Low Power Load  
8.2-12.4GHz with Rectangular Waveguide Interface

**Waveguide Load**

**RM-WLD90-2**

**Outline Drawing**



**Simulated Results**

**VSWR**

