



Waveguide Probe Antenna
8 dBi Typ.Gain, 50GHz-75GHz Frequency Range

Waveguide Probe Antenna Data Sheet

RM-WPA15-8

Features

- WR-15 Rectangular Waveguide Interface
- Linear Polarization
- High Return Loss
- Precisely Machined and Gold Plated

Description

The **RM-WPA15-8** is V-Band probe antenna that operates from 50GHz to 75GHz. The antenna offers 8 dBi nominal gain and 115 degrees typical 3dB beam width on the E-Plane and 60 degrees typical 3dB width on the H-Plane. The antenna supports linear polarized waveforms. The input of this antenna is a WR-15 waveguide with a UG-385/U flange.

Specifications

RM-WPA15-8		
Item	Specification	Units
Frequency Range	50-75	GHz
Gain	8 Typ.	dBi
VSWR	1.5:1 Typ.	
Polarization	Linear	
H-Plane 3dB Beam Width	60	Degrees
E-Plane 3dB Beam Width	115	Degrees
Waveguide Size	WR-15	
Flange Designation	UG-385/U	
Size	Φ19.05*38.10	mm
Weight	12	g
Body Material	Cu	
Surface Treatment	Gold	

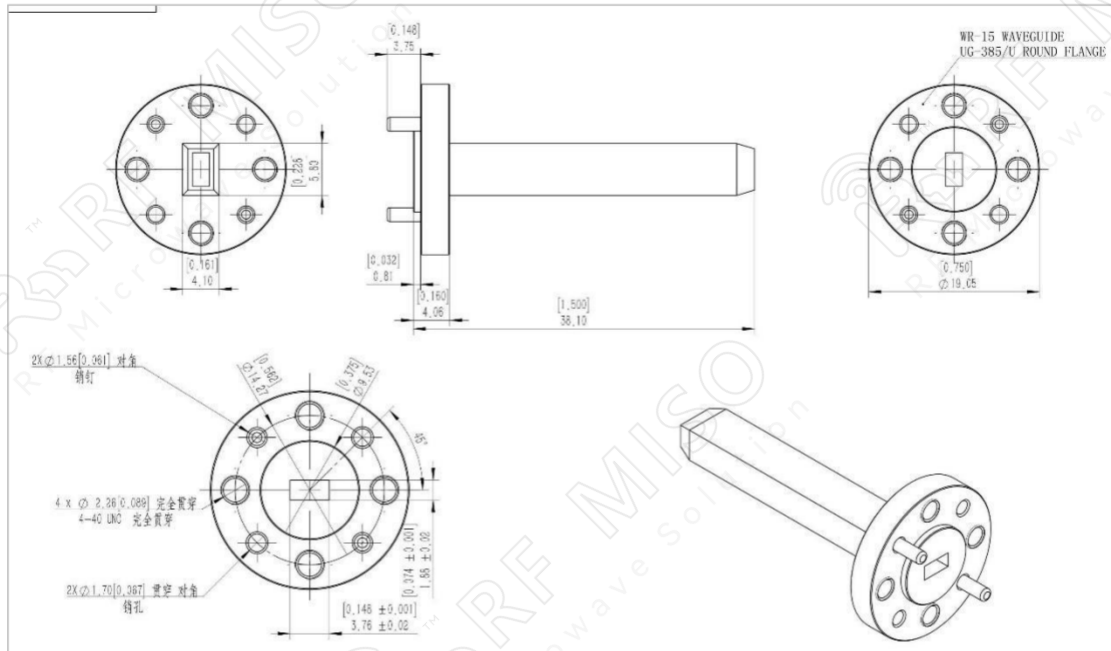


Waveguide Probe Antenna
8 dBi Typ.Gain, 50GHz-75GHz Frequency Range

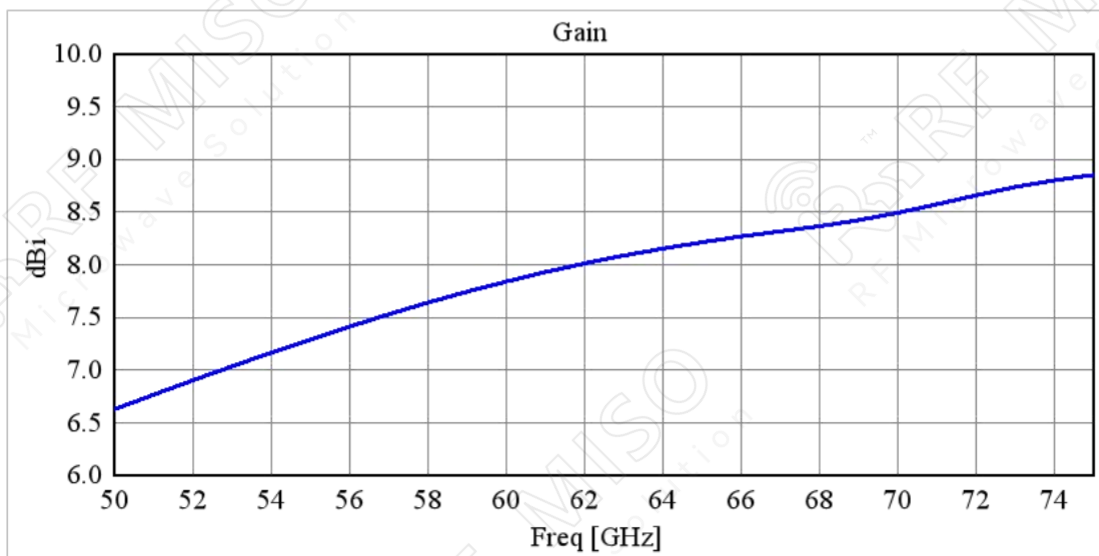
Waveguide Probe Antenna Data Sheet

RM-WPA15-8

Outline Drawing



Simulated Data





Waveguide Probe Antenna
8 dBi Typ.Gain, 50GHz-75GHz Frequency Range

Waveguide Probe Antenna Data Sheet

RM-WPA15-8

