



## Waveguide Probe Antenna Data Sheet

## RM-WPA159-7

### Features

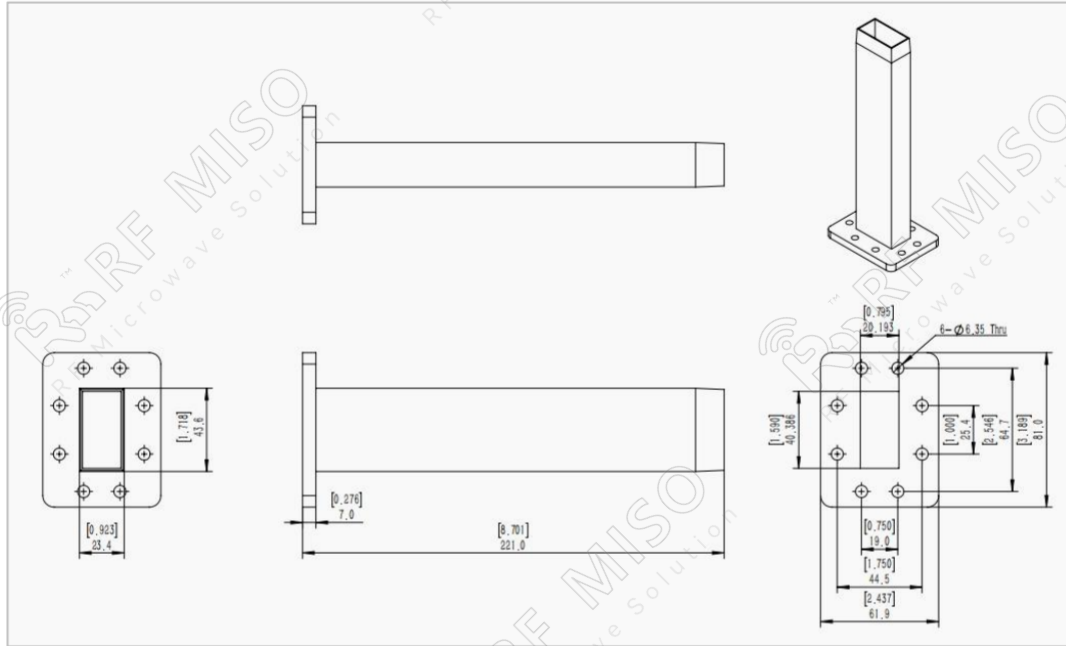
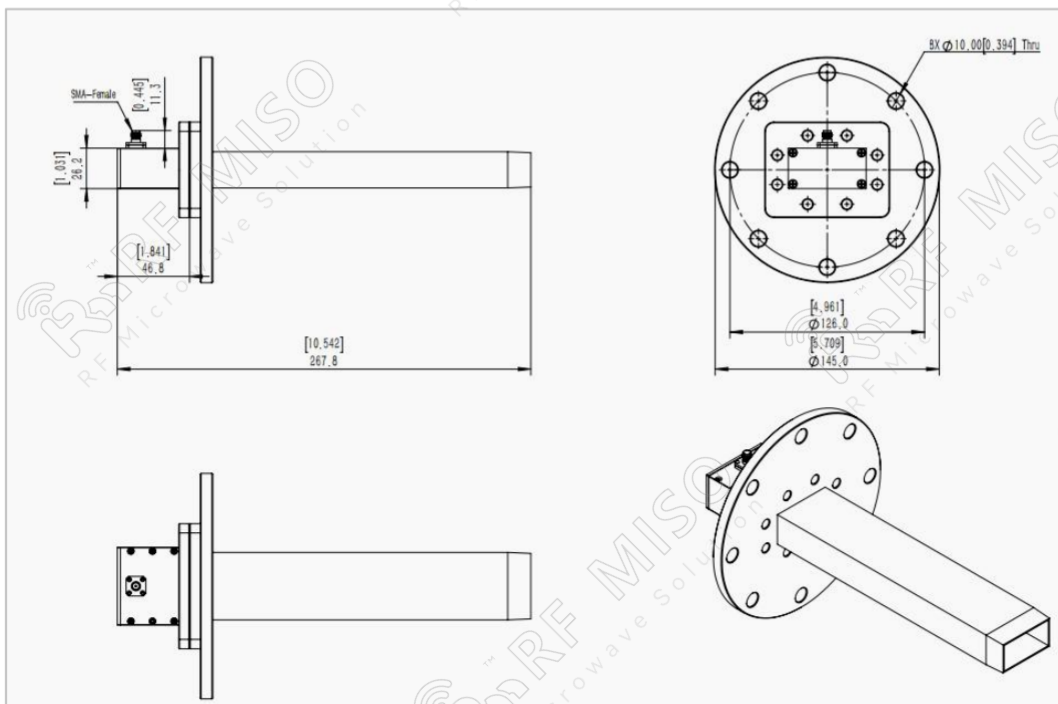
- WR-159 Rectangular Waveguide Interface
- Linear Polarization
- High Return Loss
- Precisely Machined

### Description

The **RM-WPA159-7** is a probe antenna that operates from 5.85GHz to 7.5GHz. The antenna offers 7 dBi typical gain. The antenna supports linear polarized wave-forms. The input of this antenna is a WR-159 waveguide with a FDP58 flange.

### Specifications

RM-WPA159-7			
Item	Specification		Units
Frequency Range	5.85-7.5		GHz
Gain	7 Typ.		dBi
VSWR	≤2		
Polarization	Linear		
Cross-polarization Isolation	50 Typ.		dB
Waveguide Size	WR-159		
Interface	FDP58 (F Type)	SMA-F(C Type)	
C Type Size(L*W*H)	267.8*145*145(±5)		mm
Weight	0.192(F Type)	0.663(C Type)	kg
Body Material	Al		
Surface Treatment	Paint		
C Type Power Handling, CW	50		w
C Type Power Handling, Peak	3000		w

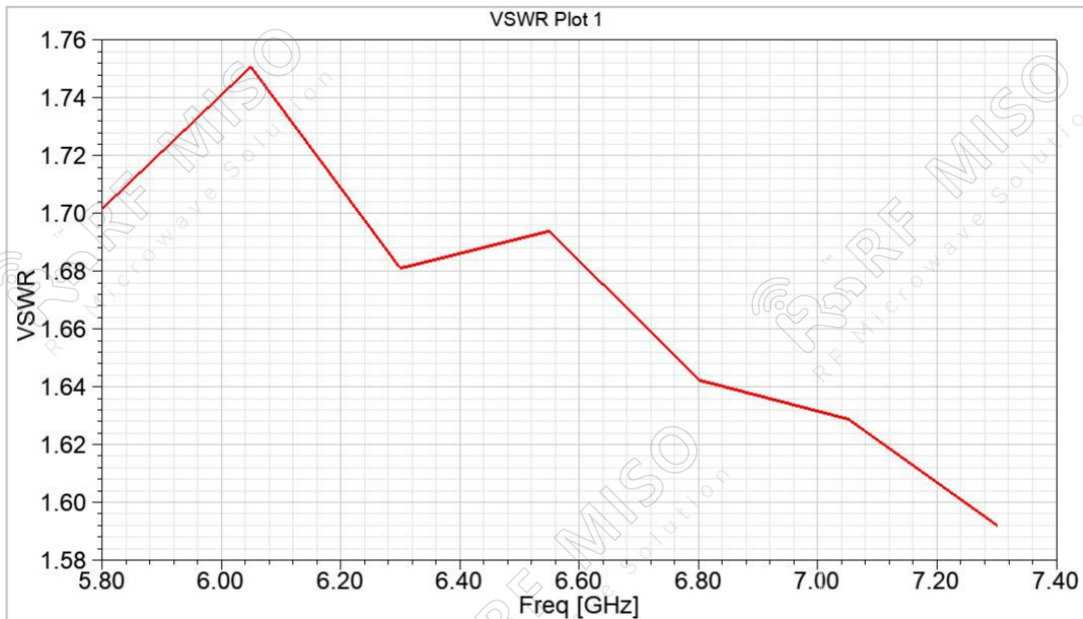
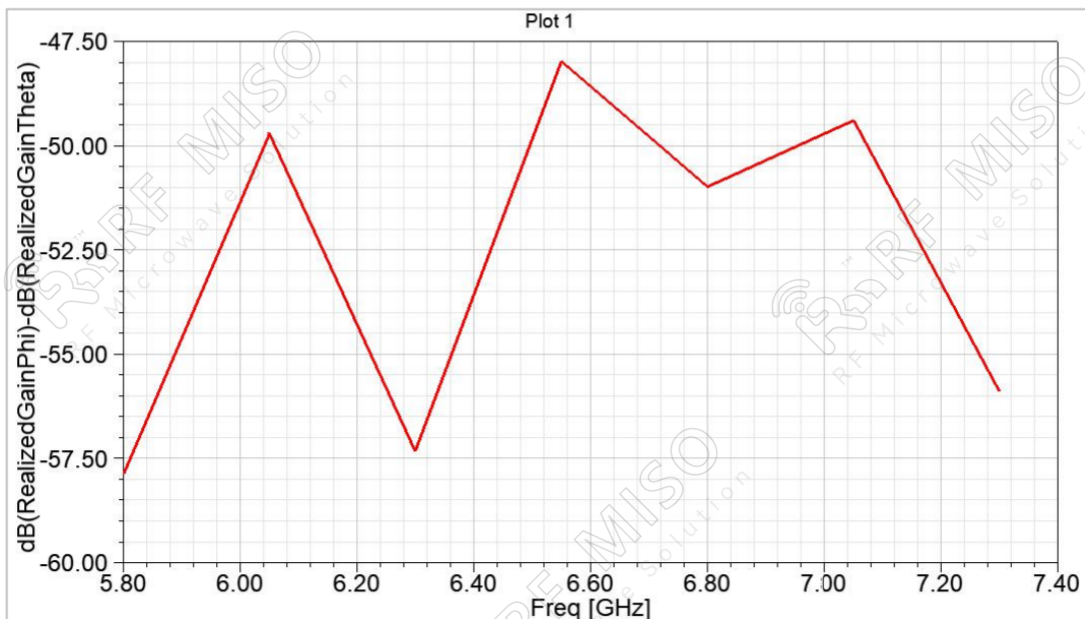

**Waveguide Probe Antenna Data Sheet**
**RM-WPA159-7**
**F-Type Mechanical Drawing (P/N: RM-WPA159-7F)**

**C-Type Mechanical Drawing (P/N: RM-WPA159-7C)**




## Waveguide Probe Antenna Data Sheet

**RM-WPA159-7**

### Simulated Data

**VSWR**

**Polarization**




## Waveguide Probe Antenna Data Sheet

RM-WPA159-7

### Gain

