



Waveguide Probe Antenna
7 dBi Typ. Gain, 3.95GHz-5.85GHz Frequency Range

Waveguide Probe Antenna Data Sheet

RM-WPA187-7

Features

- WR-187 Rectangular Waveguide Interface
- Linear Polarization
- High Return Loss
- Precisely Machined

Description

The **RM-WPA187-7** is a probe antenna that operates from 3.95GHz to 5.85GHz. The antenna offers 7 dBi typical gain. The antenna supports linear polarized waveforms. The input of this antenna is a WR-187 waveguide with a FDP48 flange.

Specifications

RM-WPA187-7			
Item	Specification		Units
Frequency Range	3.95-5.85		GHz
Gain	7 Typ.		dBi
VSWR	≤2		
Polarization	Linear		
Cross-polarization Isolation	40 Typ.		dB
Waveguide Size	WR-187		
Interface	FDP48(F Type)	SMA-F(C Type)	
C Type, Size(L*W*H)	354.7*160*160(±5)		mm
Weight	0.263(FBP100)	0.721(C Type)	kg
Body Material	Al		
Surface Treatment	Paint		
C Type Power Handling, CW	50		W
C Type Power Handling, Peak	3000		W

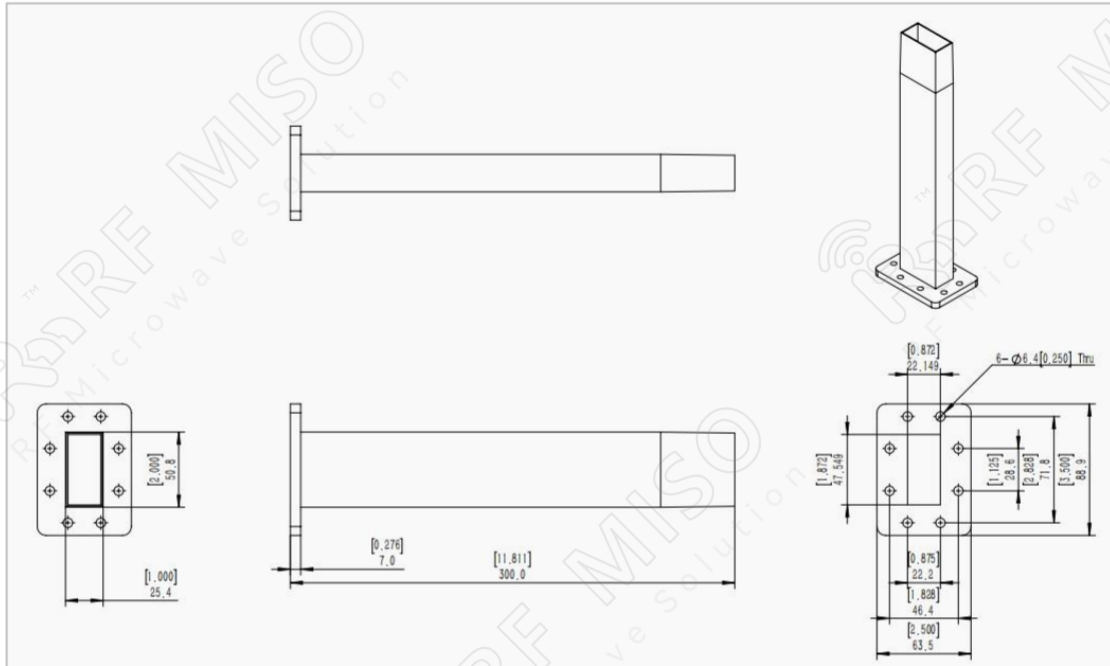
Waveguide Probe Antenna
7 dBi Typ. Gain, 3.95GHz-5.85GHz Frequency Range



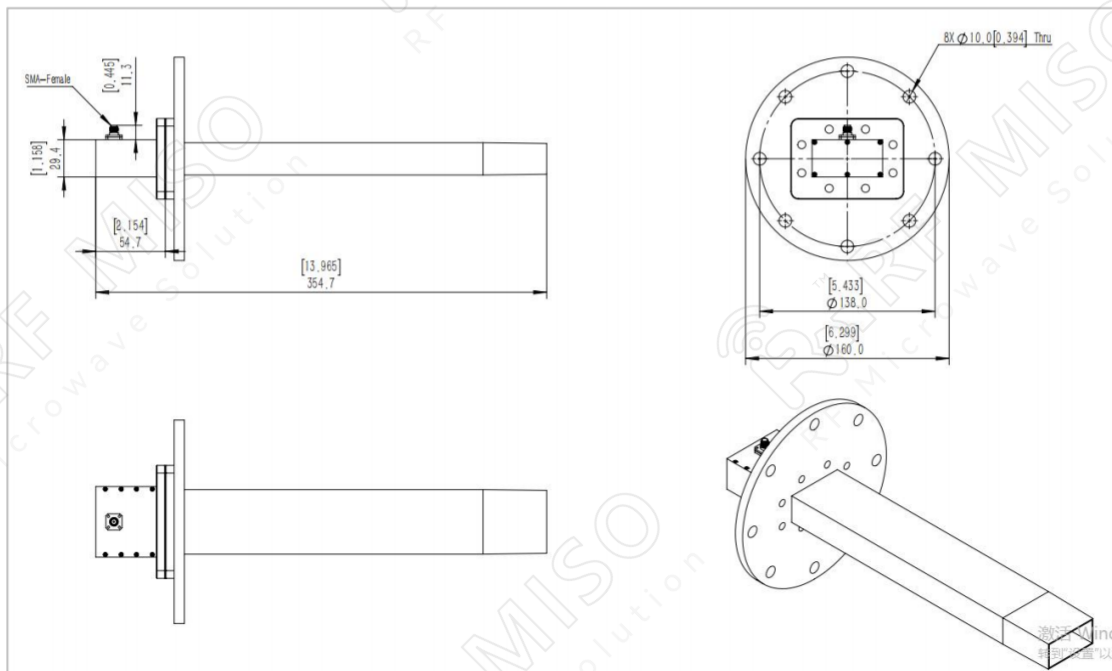
Waveguide Probe Antenna Data Sheet

RM-WPA187-7

F-Type Mechanical Drawing (P/N: RM-WPA187-6F)



C-Type Mechanical Drawing (P/N: RM-WPA187-6C)



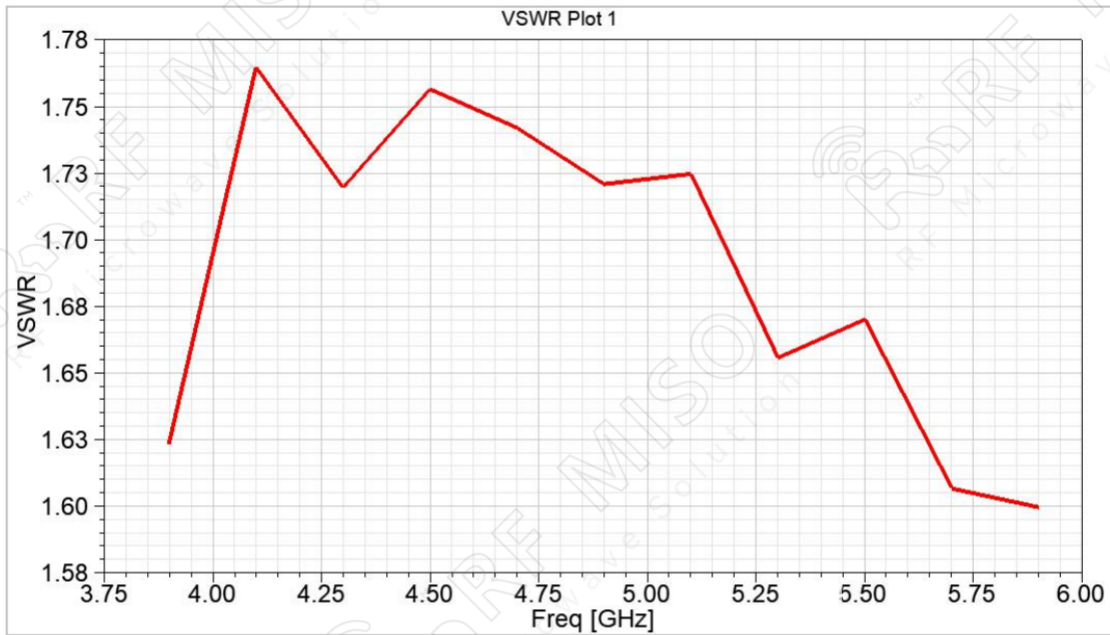


Waveguide Probe Antenna Data Sheet

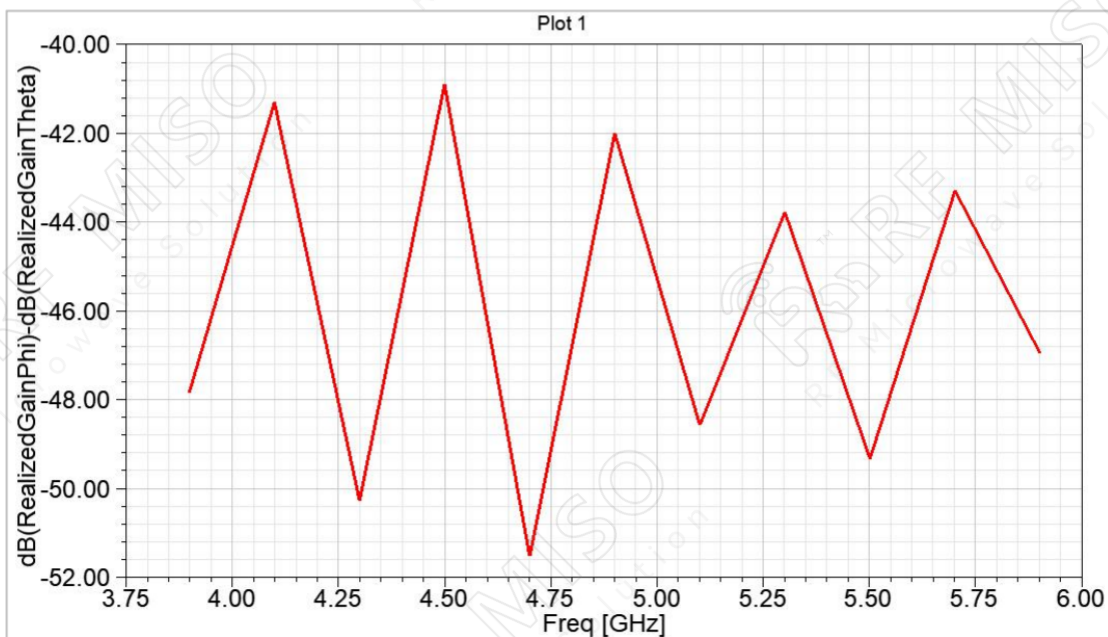
RM-WPA187-7

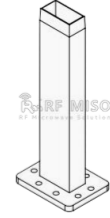
Simulated Data

VSWR



Polarization





Waveguide Probe Antenna Data Sheet

RM-WPA187-7

Gain

