

## Waveguide Probe Antenna Data Sheet

## RM-WPA284-6

### Features

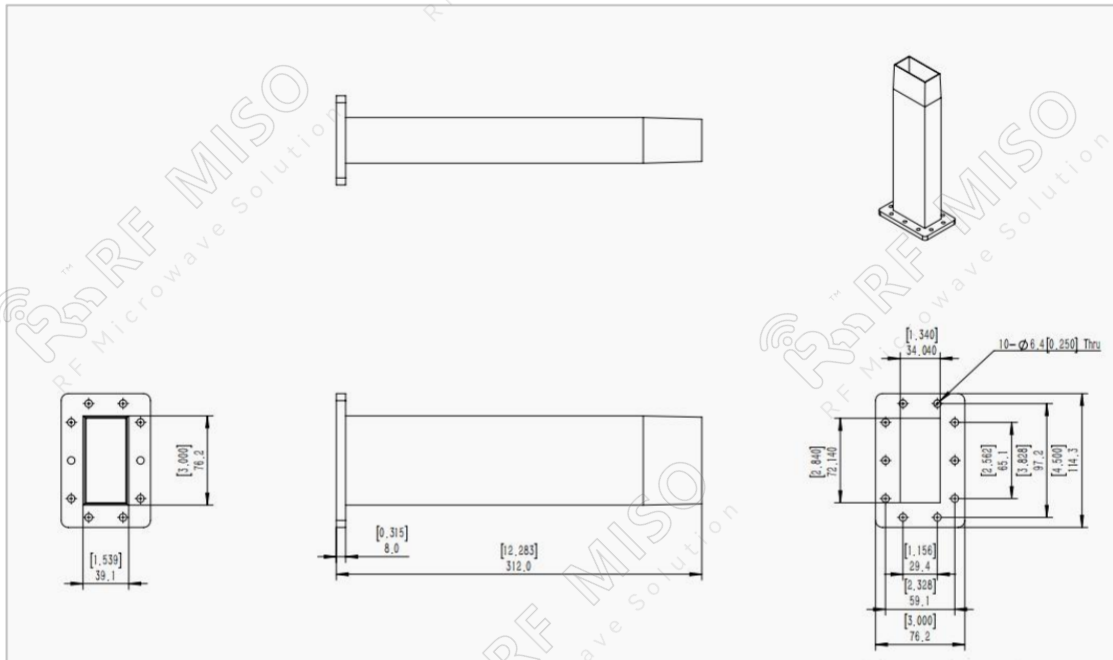
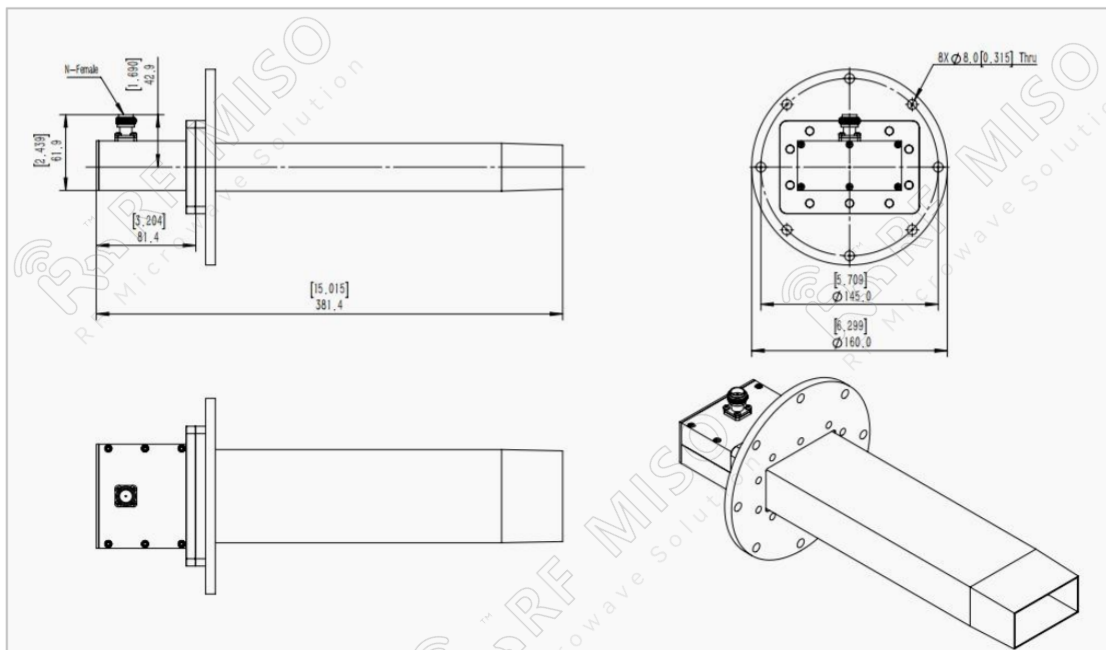
- WR-284 Rectangular Waveguide Interface
- Linear Polarization
- High Return Loss
- Precisely Machined

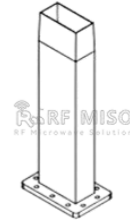
### Description

The **RM-WPA284-6** is a probe antenna that operates from 2.6GHz to 3.95GHz. The antenna offers 6 dBi typical gain. The antenna supports linear polarized waveforms. The input of this antenna is a WR-284 waveguide with a FDP32 flange.

### Specifications

RM-WPA284-6			
Item	Specification		Units
Frequency Range	2.6-3.95		GHz
Gain	6 Typ.		dBi
VSWR	≤2		
Polarization	Linear		
Cross-polarization Isolation	40 Typ.		dB
Waveguide Size	WR-284		
Interface	FDP32(F Type)	N-F(C Type)	
C Type Size(L*W*H)	312*76.2*114.3(±5)		mm
Weight	0.537(F Type)	1.286(C Type)	kg
Body Material	Al		
Surface Treatment	Paint		
C Type Power Handling, CW	300		w
C Type Power Handling, Peak	3000		w


**Waveguide Probe Antenna Data Sheet**
**RM-WPA284-6**
**F-Type Mechanical Drawing (P/N: RM-WPA284-6F)**

**C-Type Mechanical Drawing (P/N: RM-WPA284-6C)**


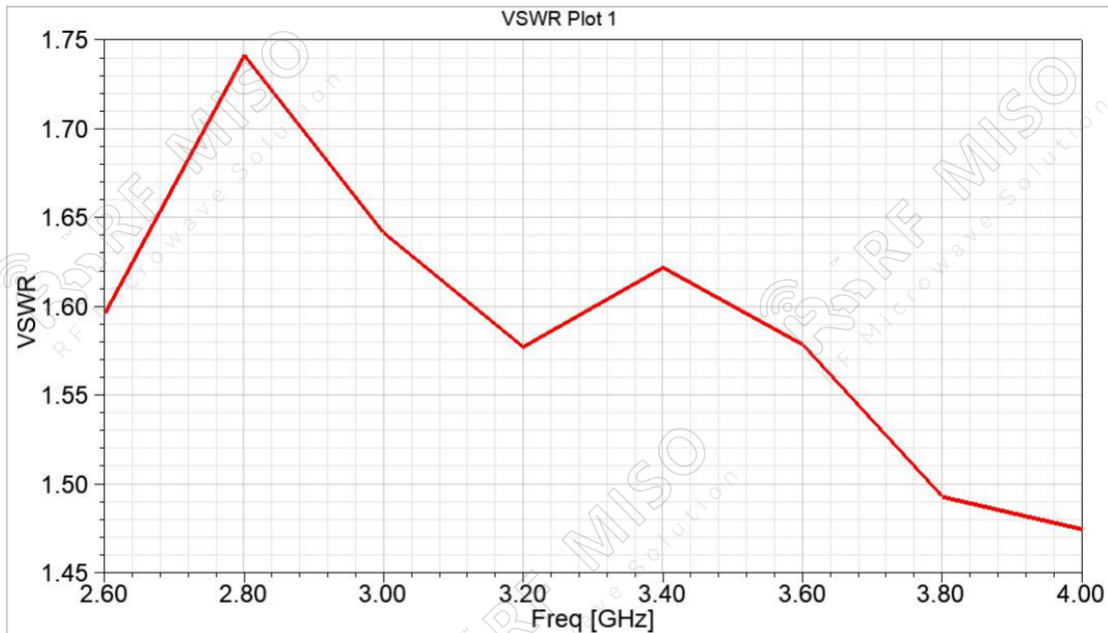


**Waveguide Probe Antenna Data Sheet**

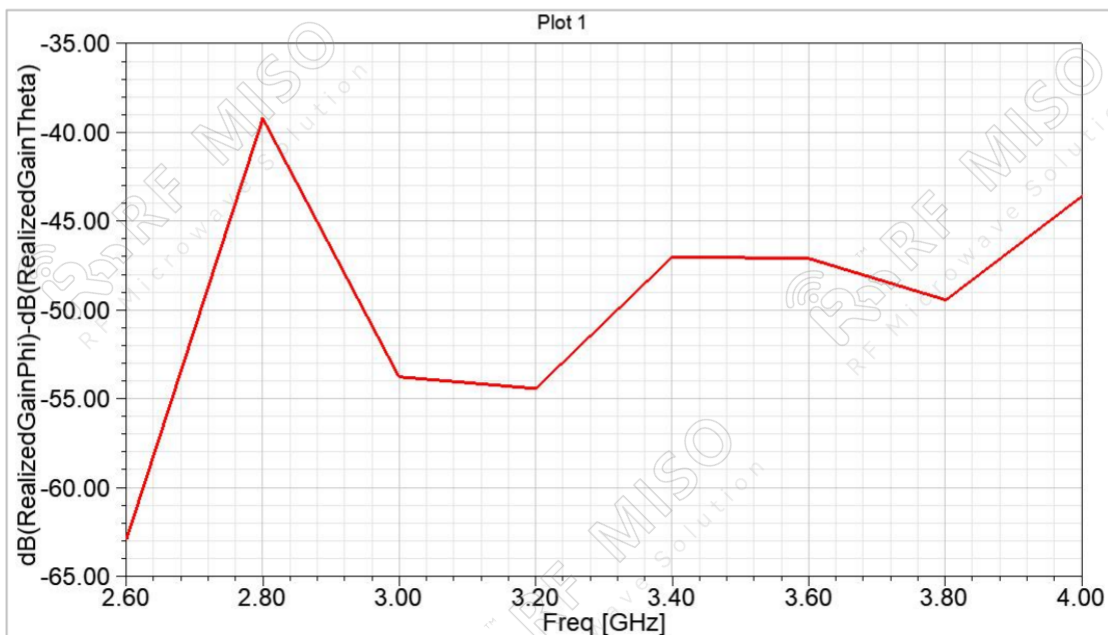
**RM-WPA284-6**

**Simulated Data**

**VSWR**



**Polarization**





## Waveguide Probe Antenna Data Sheet

**RM-WPA284-6**

### Gain

