



Waveguide Probe Antenna Data Sheet

RM-WPA42-7

Features

- WR-42 Rectangular Waveguide Interface
- Linear Polarization
- High Return Loss
- Precisely Machined

Description

The **RM-WPA42-7** is a probe antenna that operates from 18GHz to 26.4GHz. The antenna offers 7 dBi typical gain. The antenna supports linear polarized wave-forms. The input of this antenna is a WR-42 waveguide with a FBP220 flange.

Specifications

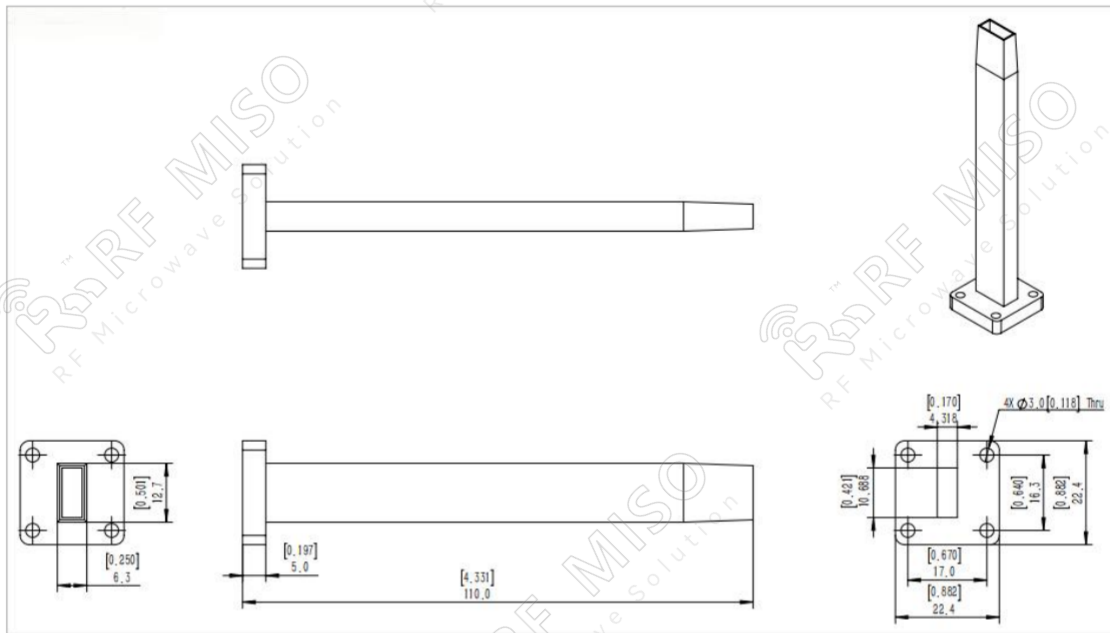
RM-WPA42-7			
Item	Specification		Units
Frequency Range	18-26.5		GHz
Gain	7 Typ.		dBi
VSWR	≤2		
Polarization	Linear		
Cross-polarization Isolation	50 Typ.		dB
Waveguide Size	WR-42		
Interface	FBP220(F Type)	SMA-F(C Type)	
C Type Size(L*W*H)	130.6*46*46(±5)		mm
Weight	0.015(F Type)	0.043(C Type)	kg
Body Material	Al		
Surface Treatment	Paint		
C Type Power Handling, CW	50		w
C Type Power Handling, Peak	3000		w



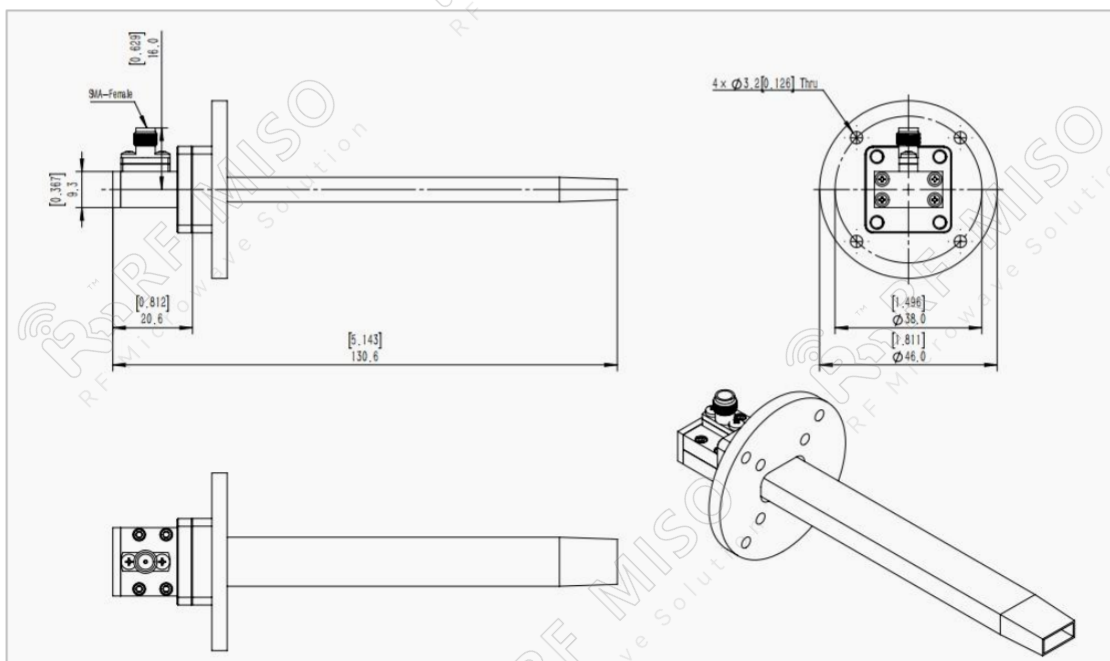
Waveguide Probe Antenna Data Sheet

RM-WPA42-7

F-Type Mechanical Drawing (P/N: RM-WPA42-7F)



C-Type Mechanical Drawing (P/N: RM-WPA42-7C)



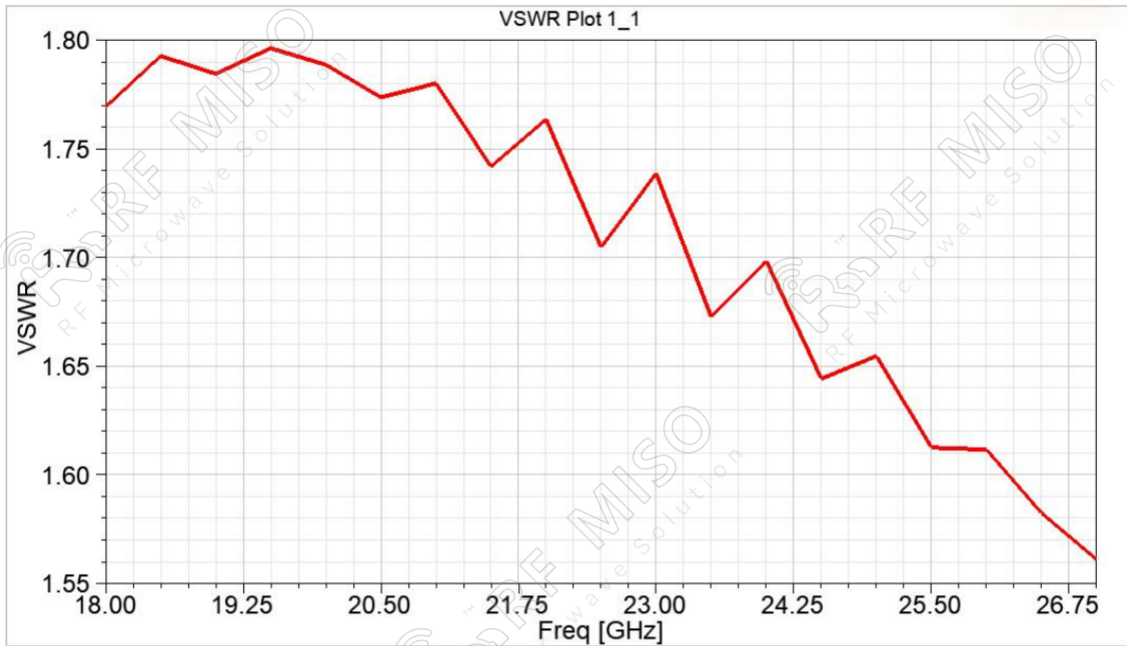


Waveguide Probe Antenna Data Sheet

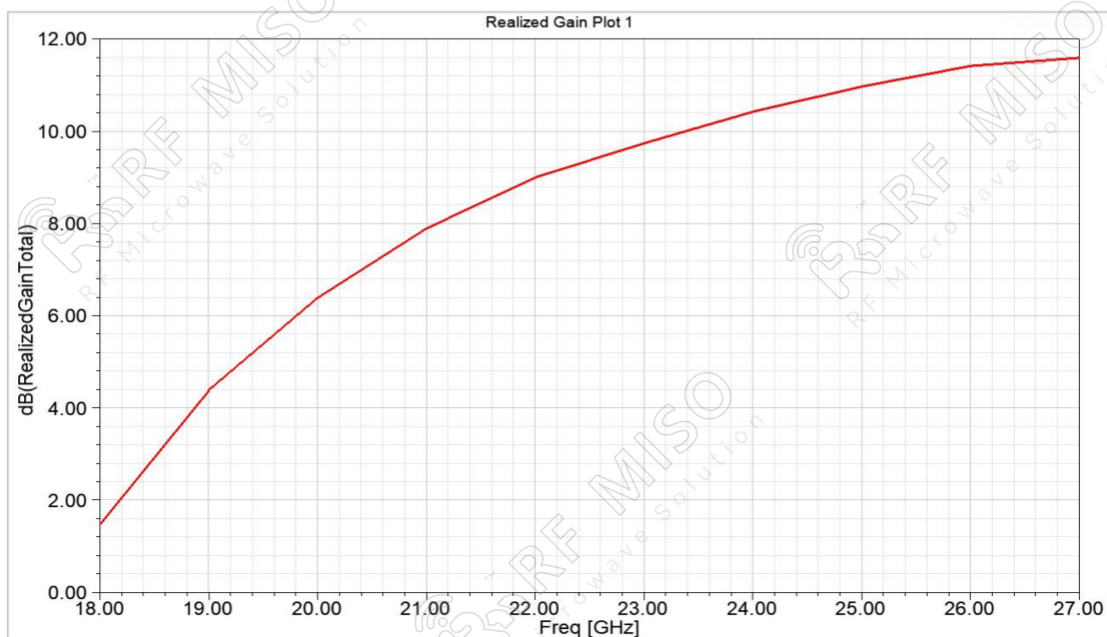
RM-WPA42-7

Simulated Data

VSWR



Gain





Waveguide Probe Antenna Data Sheet

RM-WPA42-7

Polarization

