



Waveguide Probe Antenna  
8 dBi Typ. Gain, 90GHz-140GHz Frequency Range

## Waveguide Probe Antenna Data Sheet

**RM-WPA8-8**

### Features

- WR-8 Rectangular Waveguide Interface
- Linear Polarization
- High Return Loss
- Precisely Machined and Gold Plated

### Description

The **RM-WPA8-8** is F-Band probe antenna that operates from 90GHz to 140GHz. The antenna offers 8 dBi nominal gain and 115 degrees typical 3dB beam width on the E-Plane and 60 degrees typical 3dB width on the H-Plane. The antenna supports linear polarized waveforms. The input of this antenna is a WR-8 waveguide with a UG-387/U-M flange.

### Specifications

| RM-WPA8-8              |               |         |
|------------------------|---------------|---------|
| Item                   | Specification | Units   |
| Frequency Range        | 90-140        | GHz     |
| Gain                   | 8 Typ.        | dBi     |
| VSWR                   | 1.5:1 Typ.    |         |
| Polarization           | Linear        |         |
| H-Plane 3dB Beam Width | 60            | Degrees |
| E-Plane 3dB Beam Width | 115           | Degrees |
| Waveguide Size         | WR-8          |         |
| Flange Designation     | UG-387/U-Mod  |         |
| Size                   | Φ19.1*25.4    | mm      |
| Weight                 | 9             | g       |
| Body Material          | Cu            |         |
| Surface Treatment      | Gold          |         |

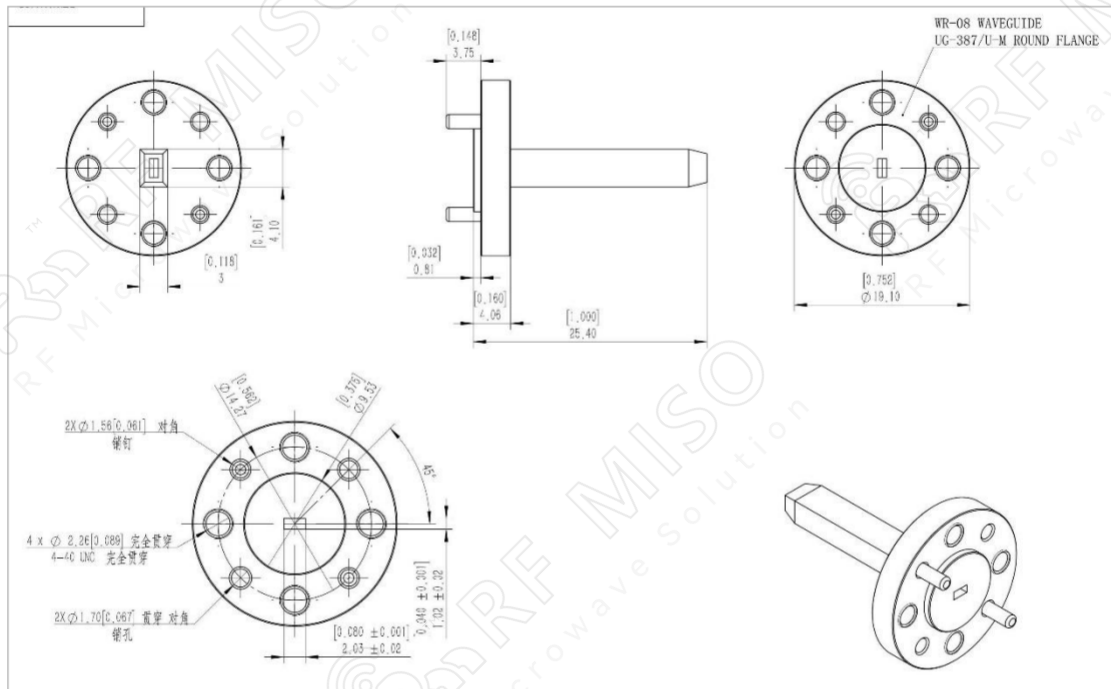


Waveguide Probe Antenna  
8 dBi Typ. Gain, 90GHz-140GHz Frequency Range

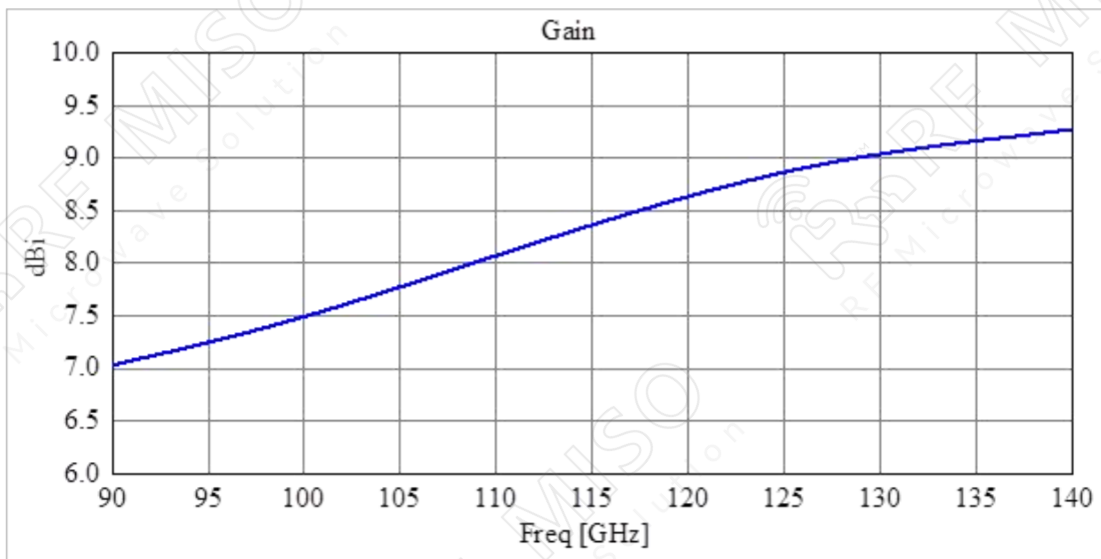
**Waveguide Probe Antenna Data Sheet**

**RM-WPA8-8**

**Outline Drawing**



**Simulated Data**





Waveguide Probe Antenna  
8 dBi Typ. Gain, 90GHz-140GHz Frequency Range

**Waveguide Probe Antenna Data Sheet**

**RM-WPA8-8**

